

Structural system XF

PO

TR

X3

XL

XM

XH

XK

XB

XW

CA

PAL

XC

XD

XF

XR

FST

APX

IDX

Contents

Light yet sturdy structural system	2
Components	3
Support beams	4
Connectors	6
Feet	8
Enclosure components	10
AutoCAD symbol library	16
Technical data	17
Materials	18
Product overview	19

Light yet sturdy structural system

Compact and light enclosure applications

The FlexLink XF system is based on the module 30 mm (XC: 44 mm, XD: 22 mm). It consists of a range of standard components, with emphasis on enclosure applications. The system is very flexible and permits quick and easy changes and adjustments at any time. Attractive styling and re-usability makes FlexLink XF equally suitable for prototypes and production quantities.

Designing and building a FlexLink XF structure is simple and straightforward, and the resulting design retains the flexibility typical of all products from FlexLink Systems.

Characteristics

- Easy to assemble, adjust and dismantle using simple hand tools. No welding necessary.
- Short time from concept to finished design.
- The components are reusable.
- Provides easy mounting of various accessories in the T-slots of the beams.
- The use of aluminium in the beams provides a smooth, hard-wearing finish without the need for an added protective finish.
- The system stimulates creativity.

Other FlexLink products

FlexLink is the trade name for a complete range of standard systems for materials handling and automation. The total package offered to the market consists of twelve different product lines with approximately 2500 standard components.

Automation components

- Structural system XC (based on 44 mm module)
- Structural system XD (based on 22 mm module)
- Linear drive units XR

Linear drive unit XR consists of a range of screw or belt driven linear drive units which provide accurate and repeatable positioning. All units are assembled according to individual requirements of stroke, load, saddle configuration and drive method.

Conveyor systems

- Plastic chain conveyors XS, XL, XM, XH, XK, XB
- Wide plastic chain conveyor XW

Product range

Four major application areas

FlexLink XF includes a range of extruded modular aluminium beams with a uniform T-slot.

The channels as well as the T-slots can be used for concealed location of electric wiring. T-slots will accommodate maximum $\varnothing 7$ mm wire bundles.

The product range is divided into four major application areas with a wide range of principles within each group. Together they provide a unique flexibility and almost unlimited combination capability. This makes it possible to tailor your design exactly in accordance with your requirements.

Structural beams

Two modular sizes: 30 mm, 60 mm.

Connectors

Three different types: angle brackets, mounting plates and fastener yokes.

Feet

Adjustable foot.

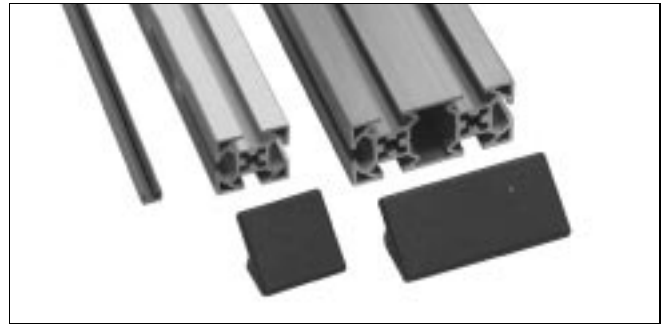
Enclosures

Nine different types: enclosure profiles, enclosure connectors, handles, frame connector, door lock kits, mounting plate for safety switch, sliding door profiles, enclosure strips, hinges.

Components

Beams (1)

Two beam types are available, with cross-sections 30 mm × 30 mm and 30 mm × 60 mm. Open beam ends and T-slots can be covered using plastic end caps and cover strips.



Connectors (2)

Connecting beams can be made in several different ways using beam connectors: angle brackets, mounting plate, or fastener yokes.



Feet (3)

The system includes adjustable foot.



Enclosures (4)

A selection of profiles and accessories for building general purpose partitions and hinged or sliding doors.

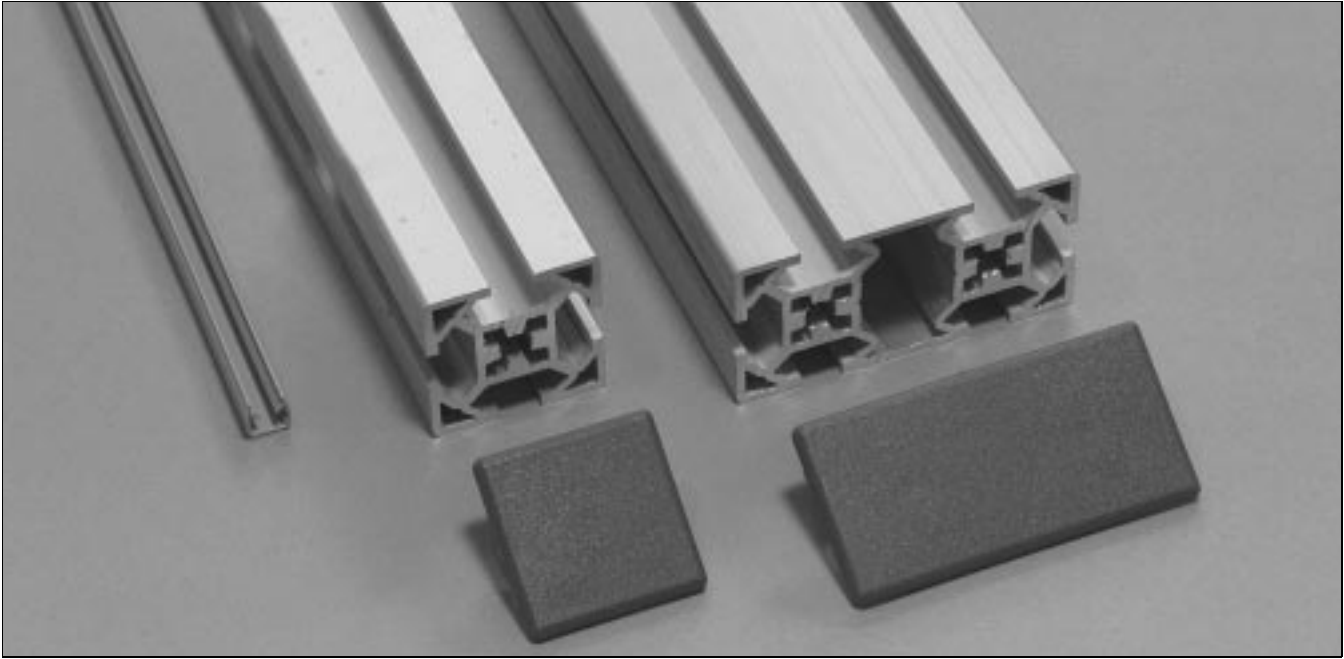


Engineering support (5)

The FLEXCAD B AutoCAD symbol library includes all components belonging to FlexLink XC, XD, XF, and XR systems. The library is delivered on a CD-ROM.



Support beams



Two beam sizes

The FlexLink XF system includes support beams in cross-sectional dimensions 30 mm × 30 mm and 30 mm × 60 mm. As a standard the beams are delivered in 3 m lengths. In addition, it is possible to order beams according to individual specifications of length, drilling and threading. See Appendix C in catalogue section APX.

In addition to the support beams, the XF system includes several beam types intended for enclosure frameworks. See page 13.

End caps are available for the beam ends. Before attaching end caps type XFBE 30×60 it is necessary to deburr the centre holes in the beams, to ensure that the end caps stay in place.

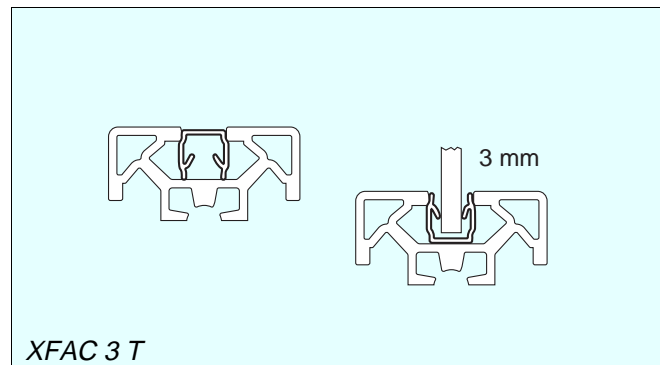
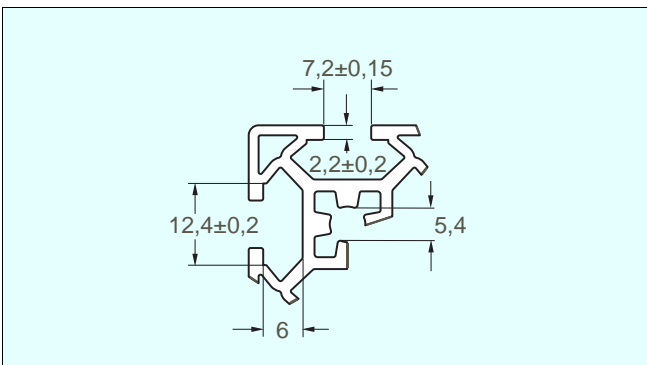
T-slots

T-slots on the sides in combination with T-slot nuts (XFAN 5/6, see page 7) permit easy connection of components anywhere along the beam. The T-slots can be covered by means of plastic cover strips. The cover strips can also be used as enclosure strips for 3 mm panels. See figure below.

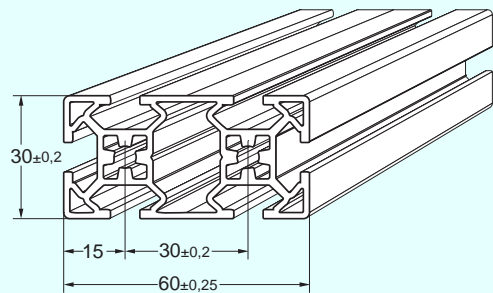
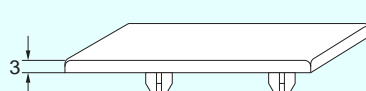
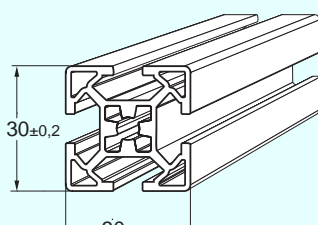

The system includes a number of connectors and other components which take advantage of the T-slot feature.

Technical specifications

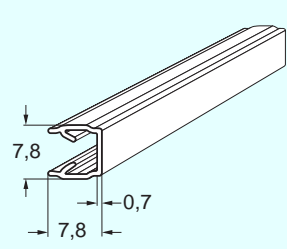
Beam type	Cross-section mm ²	Weight kg/m	I _x mm ⁴ ·10 ⁴	I _y mm ⁴ ·10 ⁴	W _x mm ³ ·10 ³	W _y mm ³ ·10 ³
XFBM ..x30	345	0,93	3,00	3,00	2,00	2,00
XFBM ..x30x60	582	1,57	21,3	5,29	7,11	3,53



Support beams

<p>XFBM 3x30x60 XFBM Lx30x60</p> <p><i>New!</i></p>	<p>Beam 30 mm × 60 mm Aluminium, anodized T-slot dimensions: page 4</p> <p>Length 3 m Length to order</p>	
<p>XFBE 30x60</p> <p><i>New!</i></p>	<p>End cap Polyamide, grey</p>	
<p>XFBM 3x30 XFBM Lx30</p> <p><i>New!</i></p>	<p>Beam 30 mm × 30 mm Aluminium, anodized T-slot dimensions: page 4</p> <p>Length 3 m Length to order</p>	
<p>XFBE 30</p> <p><i>New!</i></p>	<p>End cap Polyamide, grey</p>	

Cover strip

<p>XFAC 3 T</p> <p><i>New!</i></p>	<p>Cover strip for T-slot Length 3 m Polyvinyl chloride, grey</p>	
---	---	---

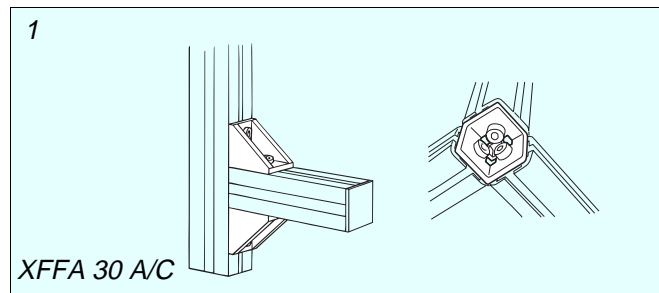
PO
TR
XS
XL
XM
XH
XK
XB
XW
CA
PAL
XC
XD
XF
XR
FST
APX
IDX

Connectors



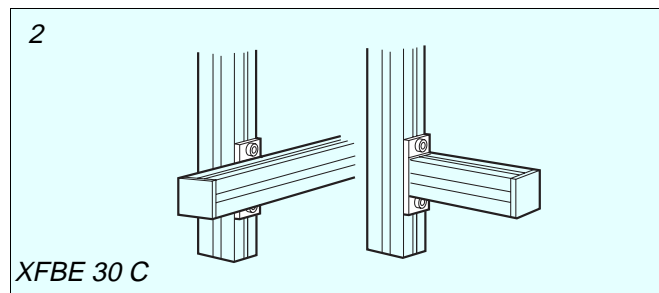
Angle brackets (1)

Angle brackets are used to connect beams end-to-side or side-to-side. They can also be used for the connection of other components to the beams. This type of fitting ensures a very rigid connection with high angular accuracy. An angle bracket for corners is also available.



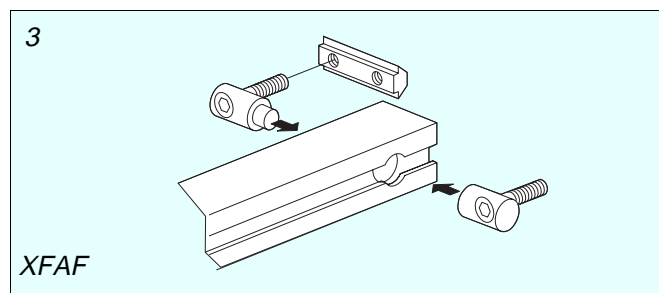
Mounting plate (2)

Mounting plates are used for mounting beam ends or beam sides to beam sides. The holes in the end of the beam cross-section must be de-burred and threaded (M6 roller threading). The mounting plate fits over the beam end and is secured with M6 screws. Mounting plates should be used for double-ended support only.



Fastener yokes (3)

Fastener yokes are available in 30 mm and 60 mm lengths. A through hole must be drilled in the beam. The screws should be tightened to a torque of 9,4 Nm (lubricated joint).

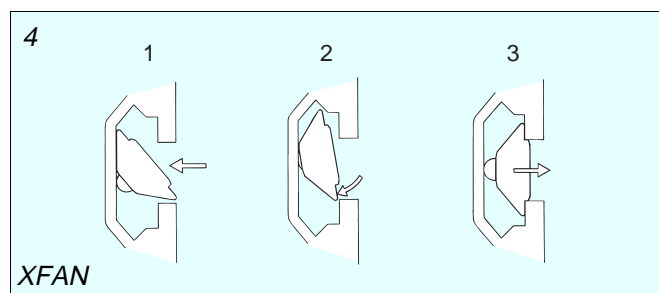


T-slot nut (4)

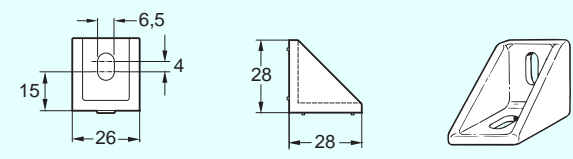
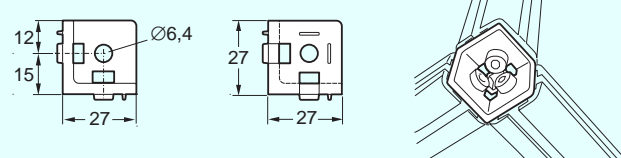
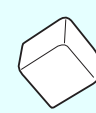
A special T-slot nut is directly adapted to the T-slot of the structural system. The shape of the nut permits entry from the side of the beam. The nut, with a suitable screw and washer, is used when attaching other objects, for example angle brackets, to the side of the beam. The slot nut incorporates a small leaf spring which acts against the bottom of the T-slot, thus retaining the nut in place even in vertical positions.

Recommendation

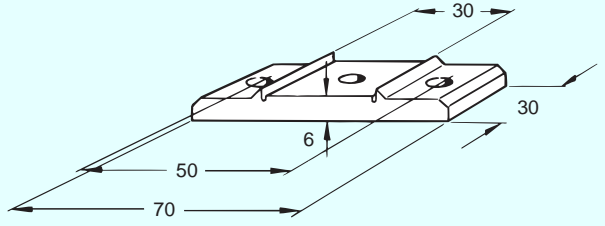
If the nut is inserted from the side of the beam, sliding the nut slightly along the T-slot will facilitate entry.



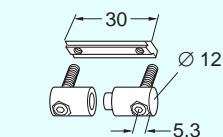
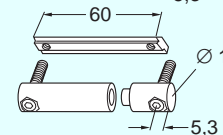
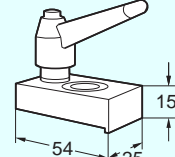
Angle brackets

<p>New!</p>	<p>XFFA 30 A Angle bracket Aluminium, die-cast Mounting: MLC6S 6×12 (2) BRB 6,4×12 (2) XFAN 6 (2)</p>	
<p>New!</p>	<p>XFFA 30 C Angle bracket for corners Zinc, die-cast Mounting: MC6S-TT 6×30 (3)</p>	
<p>New!</p>	<p>XFBE 30 C End cap for corner bracket Polyamide</p>	

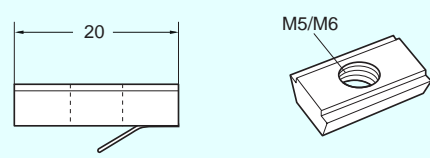
Mounting plate

<p>New!</p>	<p>XFFB 30 Mounting plate for beam XFBM ..×30 Aluminium, anodized Mounting: MC6S 6×14 (2), BRB 6,4×12 (2), XFAN 6 (2) and MF6S 6×30</p>	
--------------------	---	---

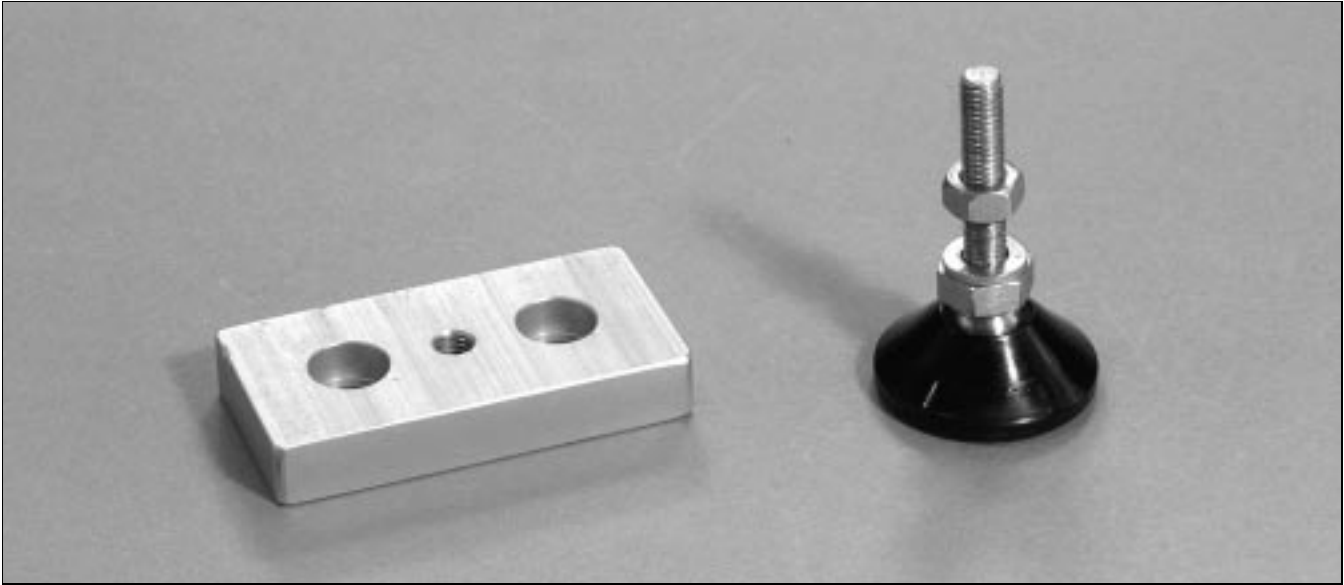
Fastener yokes

<p>New!</p>	<p>XFAF 30 Fastener yoke assembly Length 30 mm</p>	
<p>New!</p>	<p>XFAF 60 Fastener yoke assembly Length 60 mm</p>	
<p>New!</p>	<p>XFAD 12 Drill fixture for fastener yokes (Ø12,2 mm)</p>	

T-slot nut

<p>New!</p>	<p>T-slot nut Steel, electro-zinc-plated</p> <p>XFAN 5 M5 thread XFAN 6 M6 thread</p>	
--------------------	---	--

Feet



Foot and end plate

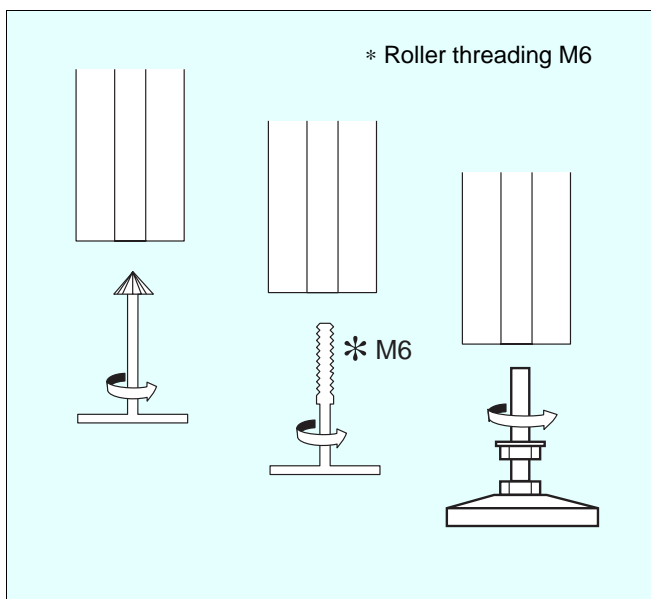
The adjustable foot XFFS 6x30 can be used at the end of a vertical support beam XFBM ..x30 or XFBM ..x30x60. It also fits enclosure beams XFEB ..x30, XFEB ..x30 T2, and XFEB ..x30 T3.

XFBM ..x30, XFEB ..x30, XFEB ..x30 T2, XFEB ..x30 T3

Make an M6 thread (roller threading) in the centre hole of an XFBM or XFEB ..x30 beam and install the foot directly into the hole.

XFBM ..x30x60

Install the adjustable foot into an end plate XFFE 30x60 M6 which is attached to the end of an XFBM ..x30x60 beam.

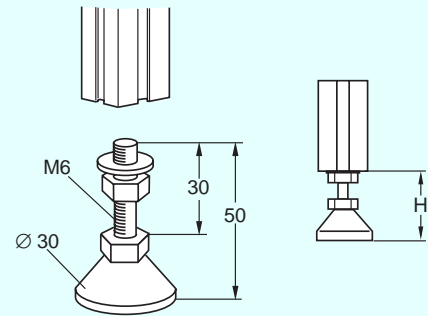


Adjustable foot

XFFS 6x30

Adjustable foot (M6 screw)
 H=28–36 mm
 Steel, electro-zinc-plated
 Maximum load 400 N

New!

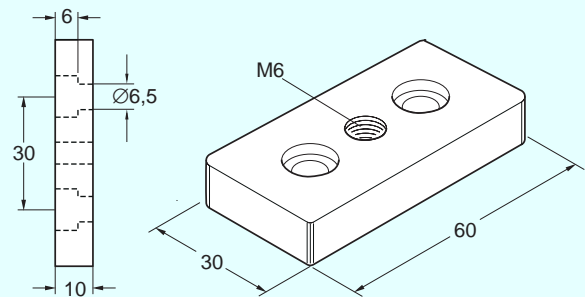


End plate

XFFE 30x60 M6

End plate for beam
 XFBM ..x30x60
 Mounting:
 MC6S-TT 6x30 (2)

New!



Enclosure components



Introduction

The XF enclosure components are designed to facilitate building of self-supporting aluminium frames up to 1,5 m². When larger structures are needed, a series of 1,5 m² frames can be combined. The only necessary labour involves cutting profiles. Suitable panels can be purchased locally.

It is also possible to combine a door made of XF enclosure components with an XC 44 mm framework, or integrate an XD door in an XF framework. Connecting plates for safety switches are an integrated part of the system.

For freestanding partitions, refer to pages XC 46–47.

Enclosure profiles

The XF framework profiles exist in four versions: The standard profile XFEB ..x30 has standard XF T-slots on all sides (Fig. 1).

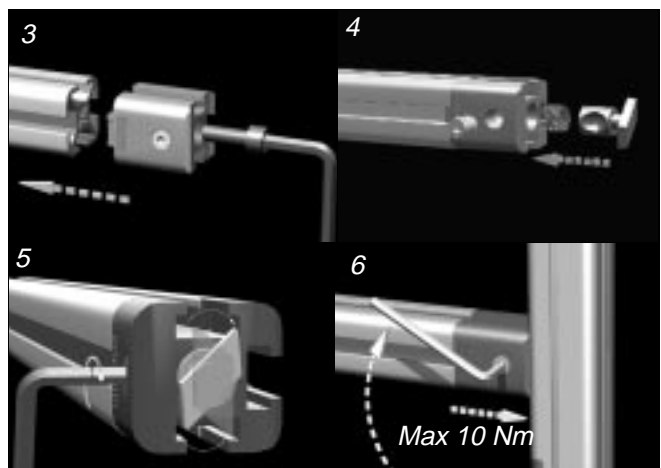
If enclosure structures without T-slots visible from the outside are desired, two 30 mm × 30 mm profiles with three and two T-slots are available: XFEB ..x30 T3/T2. See illustration above at right.

To make structures with a 45 degree incline, use profile XFEB ..x30/45 (Fig. 2). 30 and 60 degree versions are also available.

End caps are available to cover the open beam ends. T-slot cover strip XFAC 3 T (page 5) can be used to cover the T-slots.

Enclosure connector kit

The XF enclosure connector kit XFEF 30 is mounted directly into the profile with an M6 selftapping screw (Fig. 3). Then a spring is put into the hole (Fig. 4). The T connector is inserted into the housing and pre-mounted with the set screw (Fig. 5). When the profile is inserted into the framework, the T connector will automatically turn into position in the T-slot when the set screw is tightened (Fig. 5, 6).



Enclosure components

Angle brackets

The angle brackets used with XF support beams are also suitable for enclosure beams. See page 7. Note however that a special version of end cap is available for the corner bracket when used with enclosure beams.

Enclosure strips

Three PVC strip profiles (XFET 3 A/C/D) can be used with the XF enclosure components:

- Rim strip (A) for mounting of 4–5 mm panels (Fig. 1).
- Special strip (C) for nets (Fig.2). The nets can be 2–3 mm thick.
- Sliding door profile (D) for two 4–5 mm panels (Fig. 3).

T-slot cover strip

T-slot cover strip XFAC 3 T can also be used with the enclosure beams. See page 4.

Hinge kit XF-XF

XFAH 110 B is an aluminium hinge which can be placed on either side of the door.

Ball latch lock kit XF–XF

Ball latch lock kit XFEL 60 B can be placed at any desired position in an XFEB framework. Please note that a minimum clearance of 4 mm is needed between the framework and the door profile. See Fig. 4.

Safety switch kit XF–XF

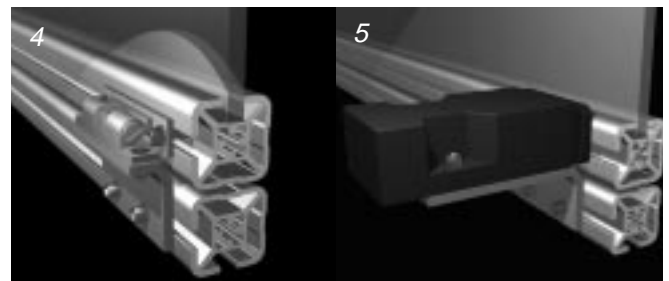
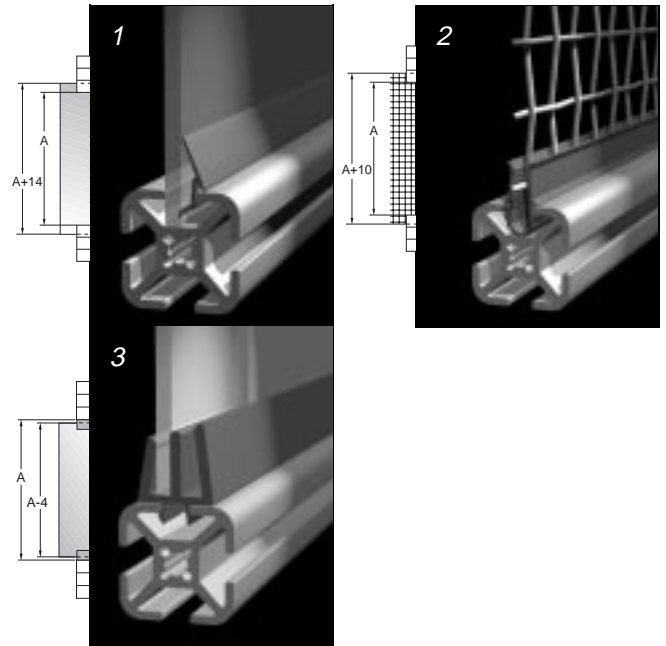
Safety switch kit XFEL 60 W is mounted on the inner side of the bottom XFEB framework profile. The connecting plate fits safety switches Schmersal AZ 15/16-B1 and Guardmaster Trojan 5 (not included in kit). See Fig. 5.

Adjustable foot

The standard XFFS 6×30 adjustable foot (page 9) can be mounted directly into any XFEB profile.

Multiblock

The XFAM 6 multiblock is intended for attachment of 5–6 mm enclosure panels to XF beams. The multiblock is inserted into the beam T-slot and fixed by turning through 90°. The block has a nut pocket for mounting with an M6 screw and a square nut.



Enclosure components

XF door in XC 44 mm framework

All XFEB ..x30x30 .. framework profiles can also be used to make doors which fit into XC 44 mm x 44 mm structures. See Fig. 1. The following components are designed for this application.

Handle kit

Plastic handle XDEH 160 (Fig. 2) fits all XF and XD profiles. It is delivered with an accompanying mounting plate for fitting the handle to XC 44 mm beams. See page XC 45. The mounting plate is not used with XF profiles.

Hinge kit

XFAH 110 A is an aluminium hinge which can be placed on either side of the door. See Fig. 3.

Ball latch lock kit

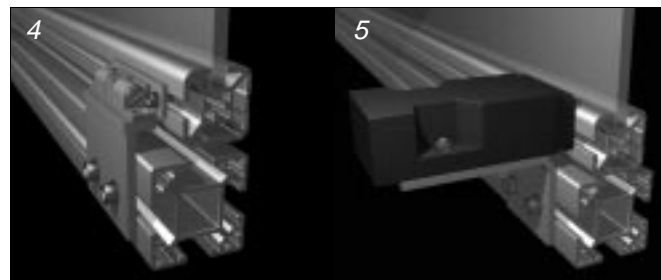
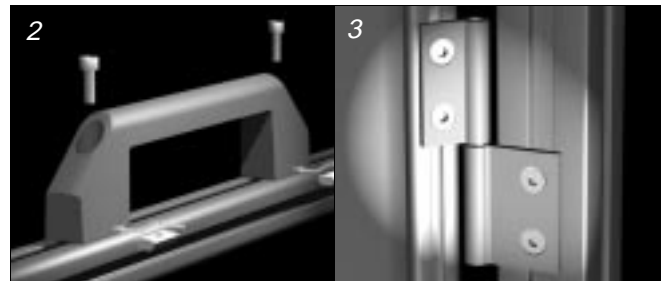
XFEL 60 BA is a ball latch lock kit adapted for the combination of an XF door profile and an XC 44 mm x 44 mm framework. See Fig. 4.

Safety switch kit

XFEL 60 WA is designed to permit attachment of a safety switch to the combination of an XF door profile and an XC 44 mm x 44 mm framework. The connecting plate fits safety switches Schmersal AZ 15/16-B1 and Guardmaster Trojan 5 (not included in kit). See Fig. 5.

Sliding element for T-slot

Sliding element XFLB 25x50 is preferably used for light applications such as intermittent pushers of hand operated doors and covers. The element should be mounted into the movable part. Secure the set screw with locking fluid.



Enclosure profiles

New!	XFEB 3×30 XFEB L×30	Enclosure profile, square section 30 mm × 30 mm, Aluminium, anodized With standard XF T-slots and hole for M6 Four T-slots, length 3 m Four T-slots, length to order	
New!	XFEB 3×30 T3 XFEB L×30 T3	Three T-slots, length 3 m Three T-slots, length to order	
New!	XFEB 3×30 T2 XFEB L×30 T2	Two T-slots, length 3 m Two T-slots, length to order	
New!	XFEE 30	End cap 30 mm × 30 mm Polyamide, grey	
<hr/>			
Enclosure profile, angular section 30 mm × 30 mm Aluminium, anodized			
New!	XFEB 3×30/30 XFEB L×30/30	30°, length 3 m 30°, length to order	
New!	XFEB 3×30/45 XFEB L×30/45	45°, length 3 m 45°, length to order	
New!	XFEB 3×30/60 XFEB L×30/60	60°, length 3 m 60°, length to order	
New!	XFEE 30/30 XFEE 30/45 XFEE 30/60	End cap 30 mm × 30 mm, 30° End cap 30 mm × 30 mm, 45° End cap 30 mm × 30 mm, 60°	

Sliding element for T-slot

New!	XFLB 25×50	Sliding element for T-slot UHMW-PE Including screws and nut	
-------------	-------------------	---	--

Enclosure connectors

<i>New!</i>	XFEF 30	Enclosure connector kit Zinc, die-cast Including the necessary mounting hardware	
<i>New!</i>	XFFA 30 C	Angle bracket for corners	See page 7
<i>New!</i>	XFEE 30 C	End cap for corner bracket when used with enclosure beams Polyamide	

Enclosure strips

<i>New!</i>	XFET 3 A	Rim strip Length 3 m Polyvinyl chloride, grey	
<i>New!</i>	XFET 3 C	Net strip Length 3 m Polyvinyl chloride, grey	
<i>New!</i>	XFET 3 D	Sliding door profile Length 3 m Polyvinyl chloride, grey	

Cover strip

<i>New!</i>	XFAC 3 T	Cover strip for T-slot	See page 5
-------------	-----------------	------------------------	------------

Multiblock

<i>New!</i>	XFAM 6	Multiblock Polyamide Including M6 square nut	
-------------	---------------	--	--

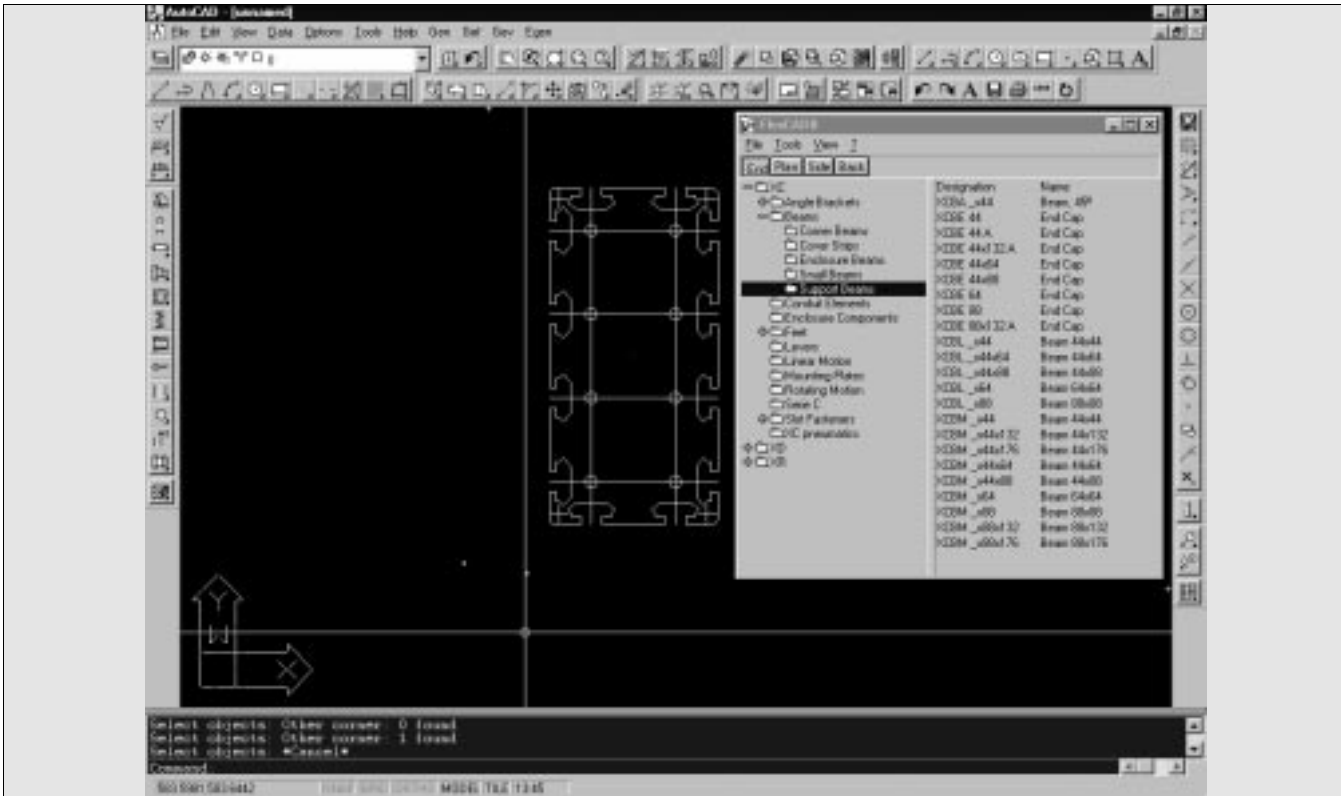
Door accessories

<p>New!</p>	<p>XFAH 110 B Hinge kit XF–XF Aluminium Including the necessary mounting hardware</p>	
<p>New!</p>	<p>XFEL 60 B Ball latch lock kit Aluminium, anodized Including ball latch and the necessary mounting hardware</p>	
<p>New!</p>	<p>XFEL 60 W Safety switch kit Aluminium, anodized Including the necessary mounting hardware. For safety switches Schmersal AZ 15/16-B1 and Guardmaster Trojan 5 (not included).</p>	

Components for XF doors in XC frames

<p>New!</p>	<p>XDEH 160 Handle XC/XD/XF Polyamide Including adapter plate for XC Mounting: MC6S 5x12 (2) XFAN 5 (2)</p>	
<p>New!</p>	<p>XFAH 110 A Hinge kit XF–XC Aluminium, anodized Including the necessary mounting hardware</p>	
<p>New!</p>	<p>XFEL 60 BA Ball latch lock kit Aluminium, anodized Including ball latch and the necessary mounting hardware</p>	
<p>New!</p>	<p>XFEL 60 WA Safety switch kit Aluminium, anodized Including the necessary mounting hardware. For safety switches Schmersal AZ 15/16-B1 and Guardmaster Trojan 5 (not included).</p>	

AutoCAD symbol library



Description

The FLEXCAD B AutoCAD symbol library is a CD-ROM with CAD drawing files of the components belonging to structural systems XC, XD, and XF, and linear drive unit XR. Each component is shown in one to four views.

The files are AutoCAD .DWG and .DXF files. The .DWG files are accessed through a Windows-based easy-to-use menu system "FlexCAD Manager" or by means of an AutoCAD screen menu. They can be used with AutoCAD for DOS release 11–13, AutoCAD for Windows release 12–14, and AutoCAD LT release 2–4.

The .DXF files are intended for import into CAD systems other than AutoCAD.

Microsoft Windows is required for automatic installation of the symbol library and menu system. The user can also select only to install the menu system, and keep the library on the CD-ROM. FlexCAD can also be used in a network environment.

Symbol library

FLEXCAD B

AutoCAD symbol library for XC, XD, XF, XR
Delivered on CD-ROM
For AutoCAD for DOS release 11–13, AutoCAD for Windows release 12–14, or AutoCAD LT release 2–4.
Requires Windows 3.x, Windows 95, or Windows NT for automatic installation.



Technical data

Beam specifications

Beam type	Cross-section mm ²	Weight kg/m	I _x mm ⁴ .10 ⁴	I _y mm ⁴ .10 ⁴	W _x mm ³ .10 ³	W _y mm ³ .10 ³
XFBM ..x30	345	0,93	3,00	3,00	2,00	2,00
XFBM ..x30x60	582	1,57	21,3	5,29	7,11	3,53
XFEB ..x30	342	0,92	2,99	2,99	1,99	1,99
XFEB ..x30 T3	340	0,91	2,92	3,01	1,95	2,00
XFEB ..x30 T2	340	0,91	2,94	2,94	1,96	1,96
XFEB ..x30/30	236	0,64	–	–	–	–
XFEB ..x30/45	254	0,69	–	–	–	–
XFEB ..x30/60	194	0,52	–	–	–	–

General tolerances

The length tolerance for 3 m beams is 0 mm to +5 mm. General dimensions comply with DIN 17615, section 3. Tolerances:

Beam outer measure mm	30	60
Tolerance mm	±0,20	±0,25

FlexLink aluminium profile data

Alloy	AA 6063-T6
Density	2700 kg/m ³
Linear expansion	23×10 ⁻⁶ /°C
Elasticity modulus (E)	70 000 N/mm ²
Shear modulus	27 000 N/mm ²
Tensile strength	
Yield point R _p	200 N/mm ²
Ultimate strength R _m	230 N/mm ²
Elongation A ₅	12 %

Anodization layer thickness is 10 µm. Section cuts are not anodized. For aluminium resistance to chemicals, please refer to page 18.

Beam calculations

The standard formulas for flexure of beams cannot be applied to a structural beam with a high degree of accuracy. The reason for this is the very complicated cross-section of the beams together with the fact that the cross-section is large compared to the length in normal frameworks. We therefore recommend use of the following formulas for calculation of "worst possible case" for beam tension, deflection, and bending moment.

Maximum beam tension σ at F:

$$\sigma = \frac{M_{\max}}{W} = \frac{F \cdot L}{8 \cdot W} \quad (L \text{ mm})$$

Maximum permissible beam tension for aluminium profiles is 130 N/mm².

Maximum beam deflection y at F:

$$y = \frac{F \cdot L^3}{48 \cdot E \cdot I} \quad (y < L/500)$$

Maximum bending moment M for the connector:

$$M = \frac{F \cdot L}{8}$$

Note

The real deflection will always be somewhat smaller than the value obtained from the formula. For a description of the different connector characteristics, please refer to page 6, "Connectors".

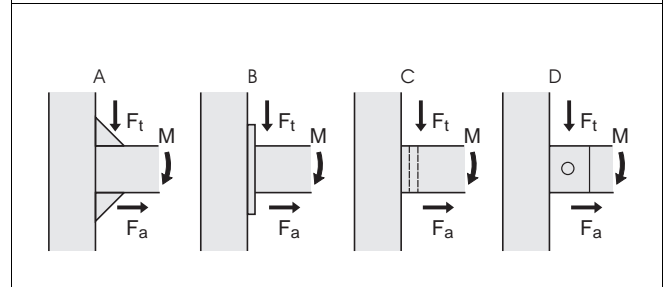
Connector selection guide

Quality	Angle brackets	Mounting plates	Fastener yokes
**** indicates very favourable characteristics			
Many possible combinations	****	**	***
Good adjustability	****	***	***
High stiffness	****	**	**
High vibration resistance	**	**	****
Small space requirements	*	**	***
Minimal beam end cut precision	****	**	**
Minimal drill work	****	****	*
Minimal tap work	****	****	****
Short assembly time	****	***	**
Low component cost	*	**	***

Connector specifications

Angle brackets

Fig.	Connector	Beam	M _{max} Nm	F _{tmax} N	F _{amax} N
A	XFFA 30 A	XFBM 30	80	750	750
A	XFFA 30 A	XFBM 30x60	130	750	750
A	XFFA 30 A	XFEB 30	70	750	750
B	XFFB 30	XFBM 30	50	700	500
C	XFAF 30	XFBM 30	50	500	500
C	XFAF 60	XFBM 30x60	100	750	750
D	XFEF 30	XFEB 30	25	400	500



Materials

The components in the FlexLink structural system are made mainly of anodized aluminium and various types of plastic. This means that the system has a good resistance to corrosion and chemicals. The components will resist long-term exposure to most chemicals used in a normal workshop environment. However, care must be taken not to subject the structural system to acids with a pH value lower than 4 or bases with a pH value above 9. Long-term exposure to chlorinated hydrocarbons, e.g. trichlorethylene, should also be avoided. The following materials are used:

Material	Use
Aluminium extruded natural anodized	Ball latch lock kit Door accessories End plate Mounting plate Profiles for enclosures Safety switch kit Support beams
Aluminium die-cast	Angle brackets
Polyamide	End caps Handle Multiblock
Polyethylene ultra-high molecular weight	Sliding element
Polyvinyl chloride	Cover strips Enclosure strips
Steel electro-zinc-plated	Adjustable foot Screws, nuts, washers Slot nuts
Zinc die-cast	Angle bracket for corners Enclosure connector Fastener yoke

Aluminium resistance to chemicals

Aluminium has a high resistance to corrosion in most environments due to the thin oxide layer that forms on the metal surface when it is exposed to oxygen. This natural oxide layer is hard, tight and adheres well. In spite of its limited thickness (0,01 mm) it prevents further oxidation. Under unfavourable conditions, however, corrosion will take place. Normally, this will only affect the appearance.

The following table shows the resistance of aluminium to a number of chemical agents.

Organic compounds and solvents		Gases	
Acetone	1	Carbon dioxide	1
Aniline	1	Carbon monoxide	1
Benzene	1	Chlorine (dry)	1
Benzine	1	Chlorine (wet)	4
Butyl alcohol	1	Hydrogen sulphide	1
Carbon disulphide	1	Sulphur dioxide (dry)	1
Carbon tetrachloride	2	Sulphur dioxide (wet)	3
Ethyl acetate	1		
Ethyl alcohol	1		
Ethyl ether	1		
Formalin	1	1 Very good resistance	
Methyl alcohol	2	2 Good resistance	
Nitrobenzene	1	3 Moderate resistance	
Phenol	1	4 Poor resistance	

Tolerances

In general, extruded aluminium is manufactured to a somewhat wider tolerance than steel. Please note, however, that the tolerance of each individual profile is much closer.

Product overview

Designation	Description	Mounting hardware required	Weight	Page
Beams and beam accessories				
XFBM 3×30×60	Beam 30×60, length 3 m		4,9 kg	5
XFBM L×30×60	Beam 30×60, length to order		1,6 kg/m	5
XFBE 30×60	End cap 30×60		4,5 g	5
XFBM 3×30	Beam 30×30, length 3 m		2,8 kg	5
XFBM L×30	Beam 30×30, length to order		0,93 kg/m	5
XFBE 30	End cap 30×30		3,3 g	5
XFAC 3 T	Cover strip for T-slot, length 3 m		71 g	5
Connectors – angle brackets				
XFFA 30 A	Angle bracket	MLC6S 6×12, BRB 6,4×12, XFAN 6 (2 ea.)	18 g	7
XFFA 30 C	Angle bracket for corners	MC6S-TT 6×30 (3)	38 g	7
XFBE 30 C	End cap for corner bracket		8,2 g	7
Connectors – mounting plate				
XFFB 30	Mounting plate 30×30	MC6S 6×14, BRB 6,4×12, XFAN 6 (2 ea), MF6S 6×30	30 g	7
Connectors – fastener yokes				
XFAF 30	Fastener yoke assembly, length 30 mm		37 g	7
XFAF 60	Fastener yoke assembly, length 60 mm		74 g	7
XFAD 12	Drill fixture		0,14 kg	7
T-slot nuts				
XFAN 5	T-slot nut, M5 thread		7,0 g	7
XFAN 6	T-slot nut, M6 thread		7,0 g	7
Feet				
XFFS 6×30	Adjustable foot, M6 screw		13 g	9
XFFE 30×60 M6	End plate for beam XFBM L×30×60	MC6S-TT 6×30 (2)	45 g	9
Enclosure components				
XFEB 3×30	Enclosure profile, 30×30, length 3 m		2,8 kg	13
XFEB L×30	Enclosure profile, 30×30, length to order		0,92 kg/m	13
XFEB 3×30 T3	Enclosure profile, 30×30, 3 T-slots, length 3 m		2,7 kg	13
XFEB L×30 T3	Enclosure profile, 30×30, 3 T-slots, length to order		0,91 kg/m	13
XFEB 3×30 T2	Enclosure profile, 30×30, 2 T-slots, length 3 m		2,7 kg	13
XFEB L×30 T2	Enclosure profile, 30×30, 2 T-slots, length to order		0,91 kg/m	13
XFEE 30	End cap 30×30		3,2 g	13
XFEB 3×30/30	Enclosure profile, 30×30, 30°, length 3 m		1,9 kg	13
XFEB L×30/30	Enclosure profile, 30×30, 30°, length to order		0,64 kg/m	13
XFEB 3×30/45	Enclosure profile, 30×30, 45°, length 3 m		2,1 kg	13
XFEB L×30/45	Enclosure profile, 30×30, 45°, length to order		0,69 kg/m	13
XFEB 3×30/60	Enclosure profile, 30×30, 60°, length 3 m		1,6 kg	13
XFEB L×30/60	Enclosure profile, 30×30, 60°, length to order		0,52 kg/m	13
XFEE 30/30	End cap 30×30, 30°		3,0 g	13
XFEE 30/45	End cap 30×30, 45°		3,0 g	13
XFEE 30/60	End cap 30×30, 60°		3,0 g	13
XFLB 25×50	Sliding element for T-slot		25 g	13
XFEF 30	Enclosure connector kit		0,13 kg	14
XFFA 30 C	Angle bracket for corners	MC6S-TT 6×30 (3)	38 g	14
XFEE 30 C	End cap for corner bracket		7,7 g	14

Product overview

Designation	Description	Mounting hardware required	Weight	Page
XFET 3 A	Rim strip, length 3 m		73 g	14
XFET 3 C	Net strip, length 3 m		0,14 kg	14
XFET 3 D	Sliding door profile, length 3 m		0,25 kg	14
XFAM 6	Multiblock		7,0 g	14
XFAH 110 B	Hinge kit XF–XF, aluminium		0,11 kg	15
XFEL 60 B	Ball latch lock kit		0,12 kg	15
XFEL 60 W	Safety switch kit		0,11 kg	15
XDEH 160	Handle XC/XD/XF, polyamide	MC6S 5×12 (2), XFAN 5 (2)	0,15 kg	15
XFAH 110 A	Hinge kit XF–XC, aluminium		0,14 kg	15
XFEL 60 BA	Ball latch lock kit		0,16 kg	15
XFEL 60 WA	Safety switch kit		0,16 kg	15
AutoCAD symbol library				
FLEXCAD B	AutoCAD symbol library for XC, XD, XF, XR			17