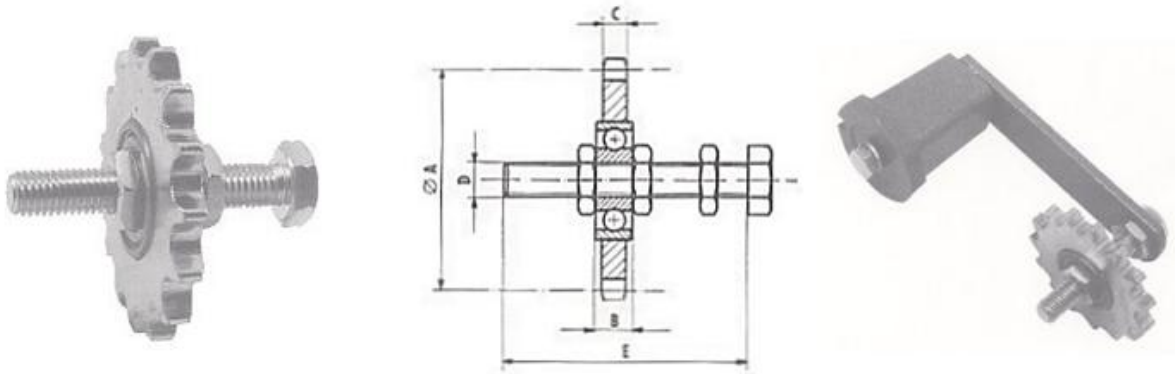




Sprocket Sets type KS-Simplex



Material:

Sprocket/Bolt/Nut: Galvanised Steel

Bearing type:

High quality ball bearing

Applications:

Used to tension Simplex chain

RS Article no.	Type	No. Teeth	ØA	B	C	D	E	Chain DIN 8287	Weight (kg)	Suitable
7810766	CRKS3/8X10	15	45.81	9	5.7	M10	60	ISO.06B-1	0.15	TE3/4
7810775	CRKS1/2X10	15	61.08	9	7.2	M10	60	ISO.08B-1	0.20	TE3/4
7810778	CRKS1/2X12	15	61.08	12	7.2	M12	80	ISO.08B-1	0.23	TE5
7810772	CRKS5/8X12	15	76.36	12	9.1	M12	80	ISO.10B-1	0.37	TE5

Dimensions in mm