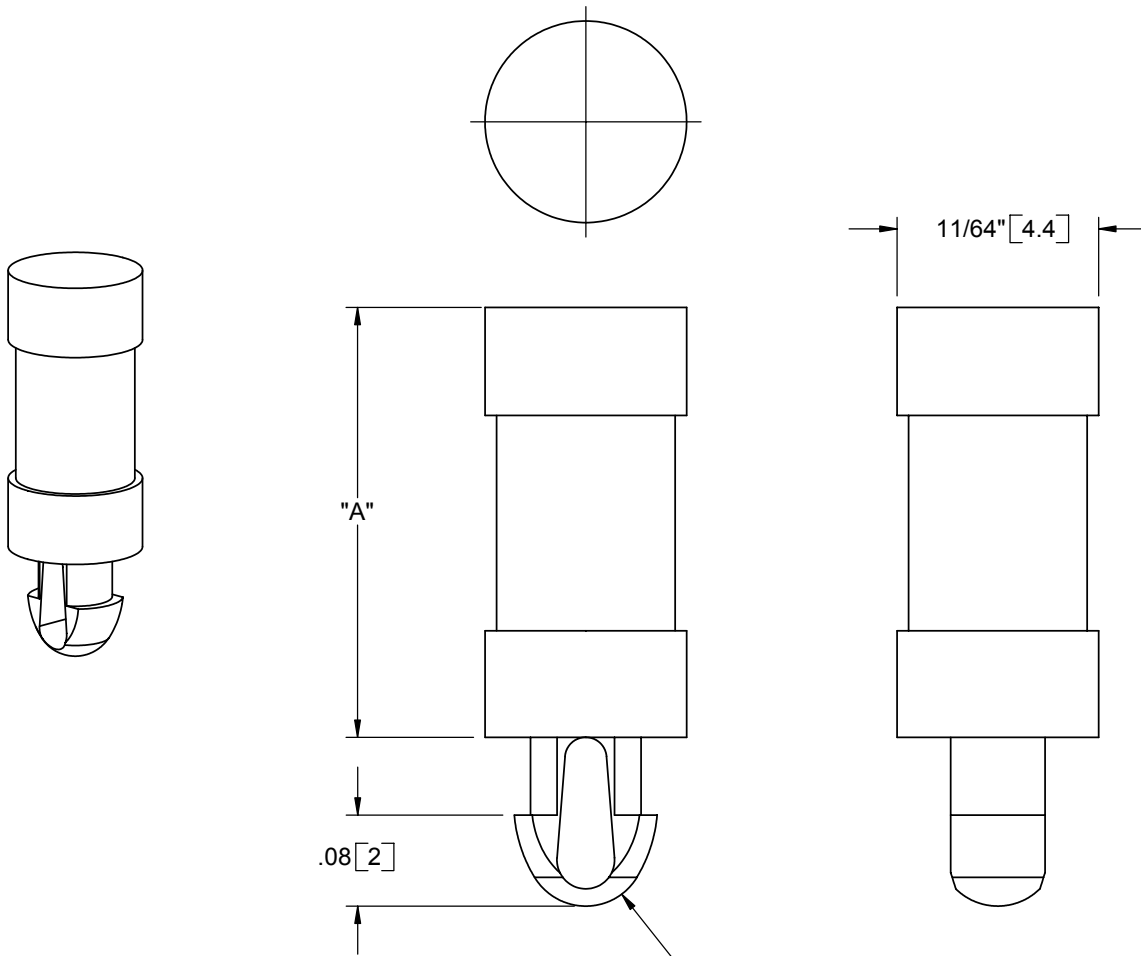


PART NO.	DIM. "A"±.015
PST-1-01	1/16 [1.6]
PST-2-01	1/8 [3.2]
PST-3-01	3/16 [4.8]
PST-4-01	1/4 [6.4]
PST-5-01	5/16 [7.9]
PST-6-01	3/8 [9.5]
PST-7-01	7/16 [11.1]
PST-8-01	1/2 [12.7]
PST-9-01	9/16 [14.3]
PST-10-01	5/8 [15.9]



NOTES:
 1. MATERIAL: NYLON 6/6 UL 94 V-2 (RMS-01).
 FLAME RETARDANT NYLON 6/6 UL 94 V-0 (RMS-19),
 AVAILABLE BY SPECIAL ORDER ONLY.
 2. COLOR: NATURAL.

REV.	DESCRIPTION	ENGR.	DATE
B	REDRAWN FROM ACAD TO SOLIDWORKS, SEE ECN#1062	SK	09/28/05
A	CHANGED FILE NO. AND TITLE BLOCK	SM	05/04/01

TITLE: PUSH SPACER, TEARDROP		DWG IN IN [MM]		FINAL	
CREATED USING SOLIDWORKS	FILE #: PST	DWN: SK	APP: RT	PART #	
TOLERANCES UNLESS NOTED	SHEET: 1 OF 1	SHEET SIZE: A	DT: 09/27/05	CHKD: RT	PRINT TYPE
.XX=±.010 .XXX=±.005 FRAC.=±1/64 ANG.=±1°	RE: RICHCO, INC.	RICHCO, INC. ENG@RICHCO-INC.COM (773) 539-4060		SEE TABLE	CA