

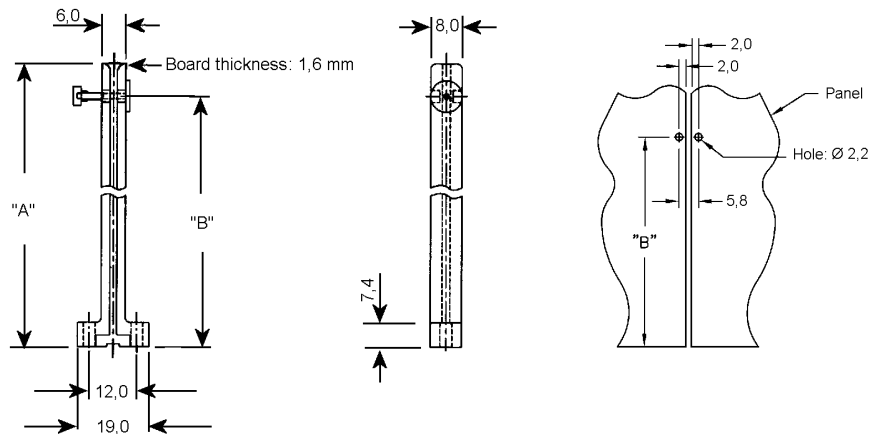
Part No.	"A" mm	"B" mm	Style	Material RMS	Thread insert Brass
VMCG2-065	65.0	56.5	1	38	M3
VMCGN-065	65.0	57.0	2	117	M3 and UNC 4-40
VMCG-70	70.1	62.0	4	38	M3
VMCG2-090	90.0	81.5	1	38	M3
VMCG-100	100.1	91.9	4	38	M3
VMCGN-105	105.0	97.0	3	117	M3 or UNC 4-40
VMCGN-120	120.0	112.0	2	117	M3 or UNC 4-40
VMCG2-120	120.1	112.5	1	38	M3
VMCG-320	120.1	112.5	5	38	M3 or UNC 4-40
VMCG2-160	160.0	112.5	1	38	M3
VMCG-360	160.0	112.5	5	38	M3
VMCGN-160	160.0	152.0	3	117	M3 or UNC 4-40



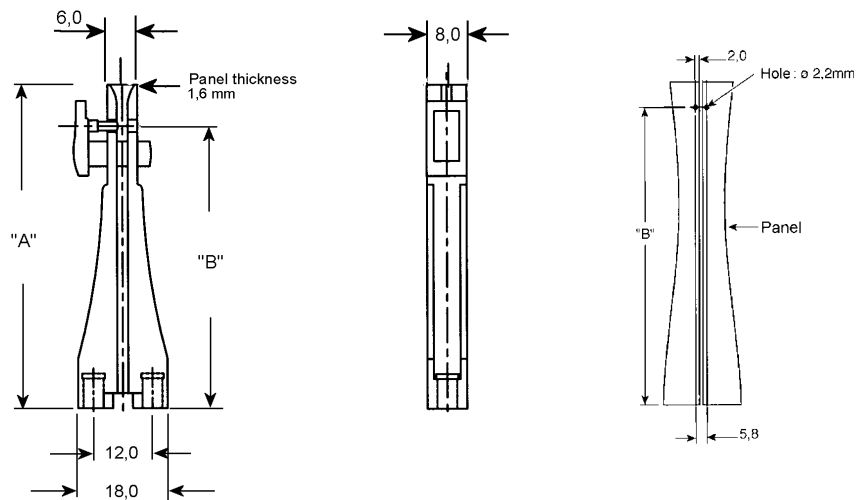
VMCG/VMCG2/VMCGN

VERTICAL MOUNT CARD GUIDE

STYLE 1



STYLE 2



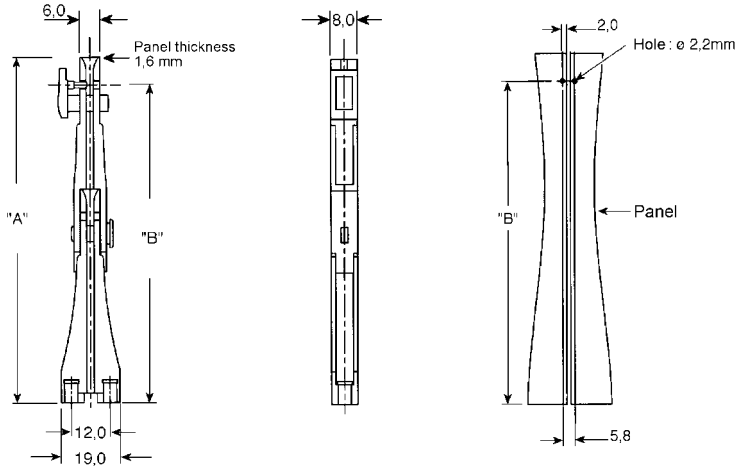
Material: Glass filled Nylon 6 - grey,
UL 94 HB, RMS-38
or
Glass filled Polystyrene - blue,
UL 94 V-0, RMS-117
Std. Pk.: 100 pcs.

Note:

VMCGN	065
-------	-----

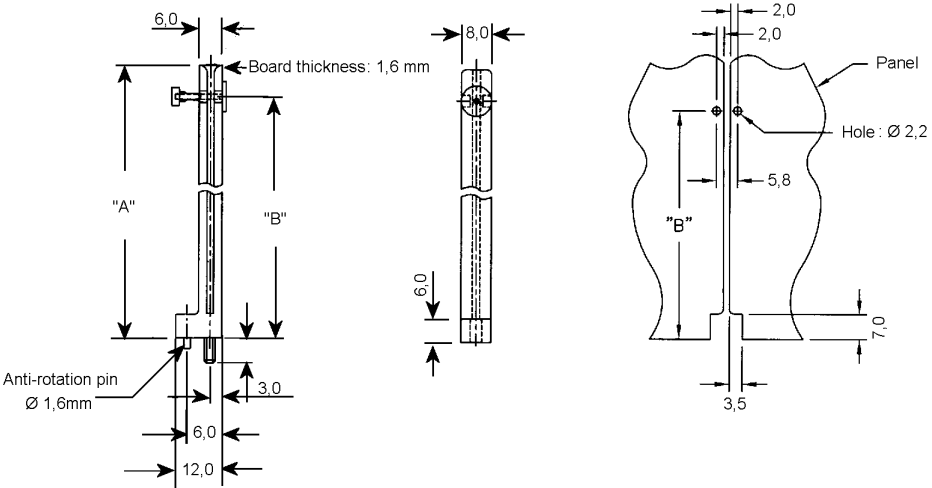
 Part Height

STYLE 3

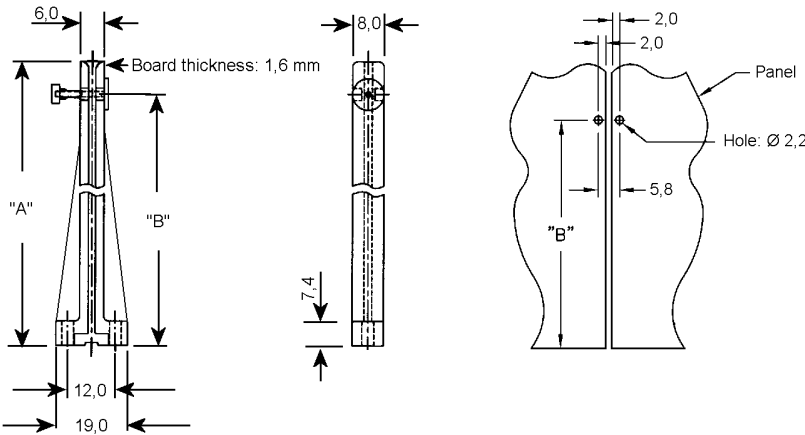


VMCG/VMCG2/VMCGN
VERTICAL CARD GUIDE

STYLE 4



STYLE 5



Material: Glass filled Nylon 6 - grey,
UL 94 HB, RMS-38
or
Glass filled Polystyrene - blue,
UL 94 V-0, RMS-117
Std. Pk.: 100 pcs.

Note:

VMCG2	120
Part	Height