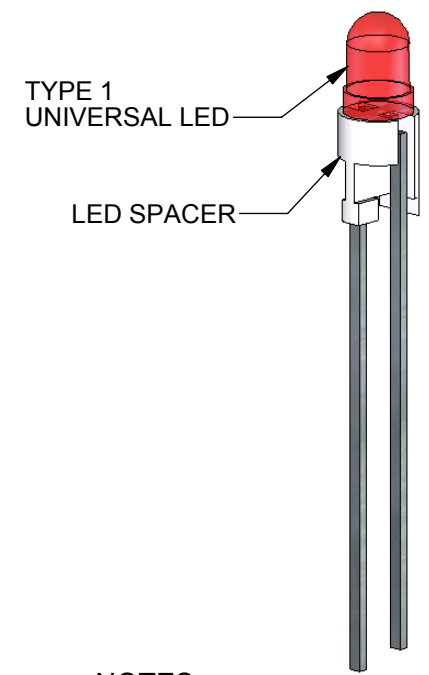
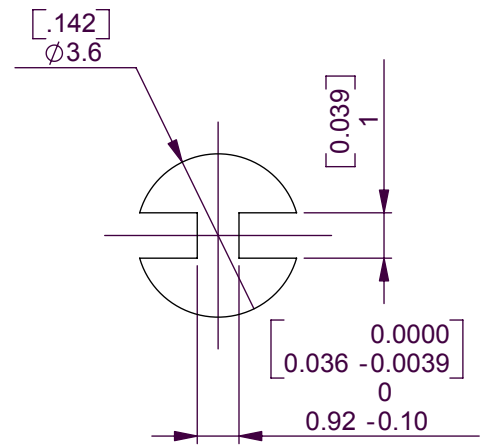


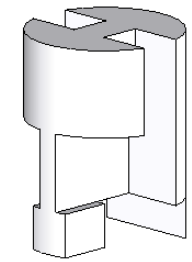
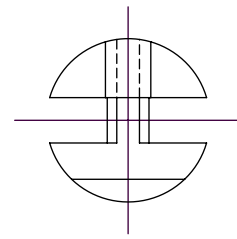
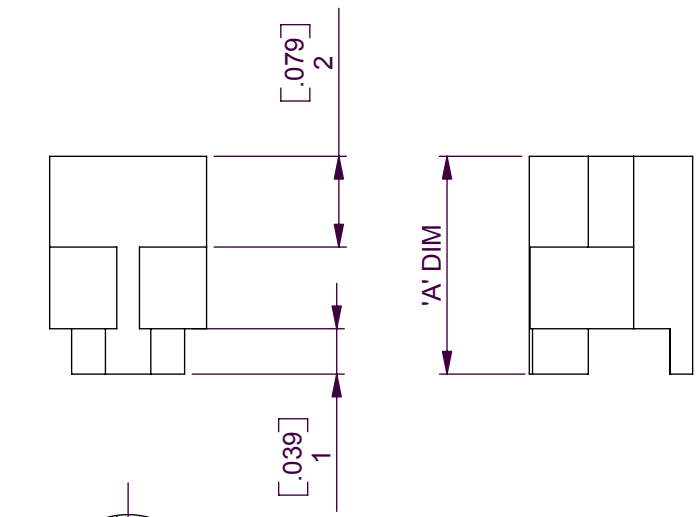
| REV. | MODIFICATION.      | DATE     | DRN |
|------|--------------------|----------|-----|
| 01   | NEW DWG, ECN05-052 | 20/04/05 | NJB |
| 02   | ECN 06-234         | 13/10/06 | NJB |



**NOTES**  
 1a) METRIC PRIMARY UNITS:mm  
 1b) IMPERIAL SECONDARY UNITS: [inches]

*INFORMATION CONTAINED IN THIS DOCUMENT IS CONFIDENTIAL TO RICHCO INTERNATIONAL Co. Ltd. AND MAY NOT BE DISCLOSED OR REPRODUCED IN WHOLE OR PART WITHOUT THEIR WRITTEN CONSENT.*

|              |               |
|--------------|---------------|
| LEDS1E-16-YY | 25.4 [1.000]  |
| LEDS1E-14-YY | 22.2 [.874]   |
| LEDS1E-12-YY | 19.1 [.751]   |
| LEDS1E-10-YY | 15.9 [.625]   |
| LEDS1E-8-YY  | 12.7 [.500]   |
| LEDS1E-6-YY  | 9.5 [.374]    |
| LEDS1E-4-YY  | 6.4 [.251]    |
| LEDS1E-3-YY  | 4.8 [0.188]   |
| PART NUMBER  | 'A' DIMENSION |



**ISOMETRIC VIEW**



GENERAL TOLERANCES ±0.25 [0.010]  
 UNLESS OTHERWISE STATED  
 1 DECIMAL PLACE ±  
 2 DECIMAL PLACES ±  
 ANGULAR ±1°



|   |                         |                              |                            |
|---|-------------------------|------------------------------|----------------------------|
| MATERIAL:<br><b>SEE TABLE</b>               |                         | COLOUR:<br><b>SEE TABLE</b>  |                            |
| DESCRIPTION:<br><b>LED SPACER (TYPE 1E)</b> |                         | PART No:<br><b>SEE TABLE</b> |                            |
| DRG No:<br><b>05-048</b>                    | NPR No:                 |                              | SHEET SIZE<br><b>A4</b>    |
| DRN<br><b>NJB</b>                           | DATE<br><b>20/04/05</b> | CHKD<br><b>NBR</b>           | DATE<br><b>20/04/05</b>    |
|   | SCALE<br><b>NTS</b>     |                              | SHEET No.<br><b>1 OF 1</b> |

| PART NUMBER | MATERIAL              | COLOUR  |
|-------------|-----------------------|---------|
| LEDS1E-X-19 | NYLON 6/6 FR (RMS-19) | NATURAL |
| LEDS1E-X-01 | NYLON 6/6 (RMS-01)    | NATURAL |