

# Part No. PFL2T

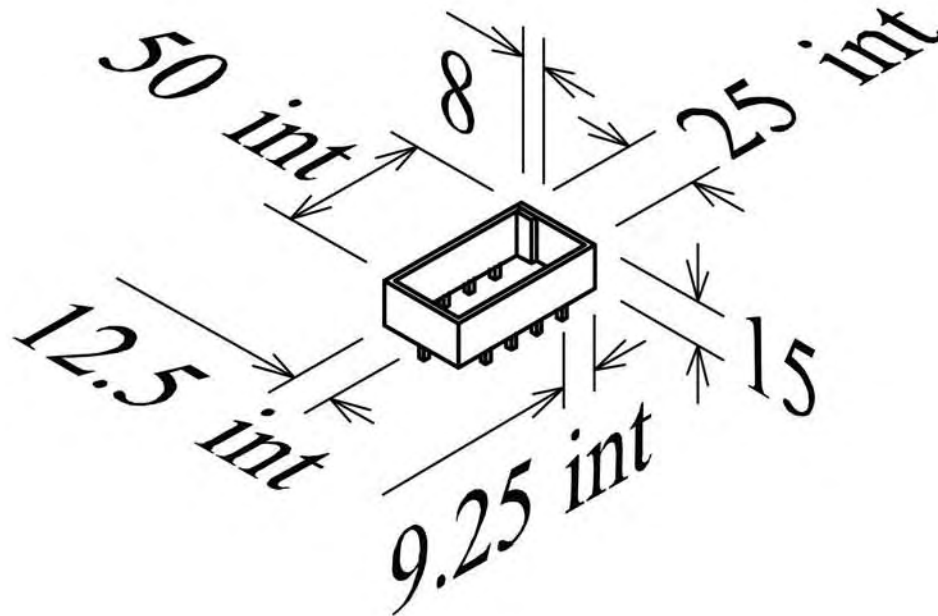
Issue A Date 30/03/2006

Drawn  Date 30/03/2006

Approved P.J.H Date 31/03/2006

Unless otherwise stated All Dimensions are in mm

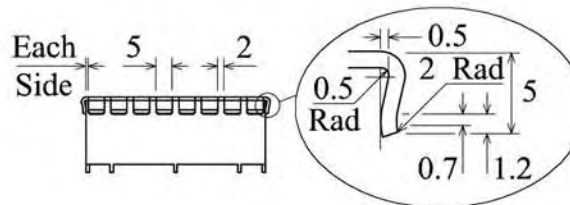
General tolerance +/- 0.25mm



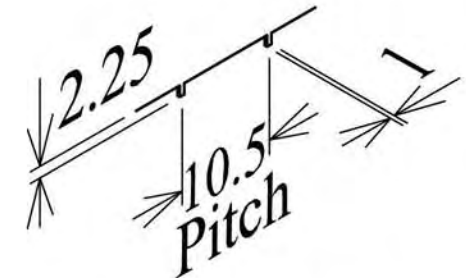
### Specification:

**Material:** Bright Mild Steel BS EN 10130 DC01  
**Construction:** Overlapped Spot Welded Frame  
**Frames & Cans:** 20swg (0.914mm)  
**Lids:** 24swg (0.559mm)  
**Finish:** Bright Acid Tin - Good Commercial Grade  
**Surface Resistivity:**  $20 \times 10^{-6} \Omega$  per square  
**Conductivity:**  $5 \times 10^4$  mho

**Note:**  
Supplied complete with a fingered lid



### PCB Pin Size & Pitch



PCB Pin pitch tolerance +/- 0.10mm

THIS DRAWING IS THE PROPERTY OF PERANCEA LTD AND MAY NOT BE COPIED OR REPRODUCED WITHOUT OUR WRITTEN CONSENT

**PERANCEA LTD**

ENCLOSURE AND INSTRUMENT CASE  
DESIGNERS AND MANUFACTURERS

Unit 36, Silicon Business Centre, Greenford, UB6 7JZ

Telephone: 020 8365 2520

Fax: 020 8566 7217

Email: sales@perancea.com

Web: www.perancea.com