

Banshee Excel Lite Xenon™ product sheet

- EN54 - 3 pending approval CPD, LPC & VdS
- Ultra low current consumption
- 32 user selectable tones
- Choice of 3 volume levels
- Rated IP66 or IP45
- Installation via side & rear cable entry
- Easy push & twist lockable bayonet mounting
- Temperature range from -20 to +70°C
- Simple in & out wiring blocks
- Full range of accessories available

The new Banshee Excel Lite™ combines the aesthetics of the Excel Sounder with the very latest strobe technology to create an extremely efficient Xenon Sounder/ Beacon combination.

Available in a wide range of colours the Banshee Excel Lite will meet the majority of Fire and Security applications where dual notification is required. The unit has the option of independent or combined operation.

Manufactured in a Flame Retardant Polymer in a choice of Base colours and 5 Lens colour options.

The Banshee Excel Lite utilises the same easy push and twist bayonet fixing as the Banshee Excel and the original MT Banshee.



Colours available



 Hosiden Besson Ltd.

11 St. Joseph's Trading Estate, St. Joseph's Close, Brighton & Hove, East Sussex BN3 7EZ, England.
Tel: +44 (0)1273 860000 Fax: +44 (0)1273 777501 Email: info@hbl.co.uk Web: www.hbl.co.uk

Banshee Excel Lite Xenon™

Specification

Termination: 1 x 8 way terminal block.
Screw terminals for 0.28mm² to 2.5mm² wire conductor

EN54-3 Voltage Range: 24VDC (20VDC to 28VDC)
Operating Voltage Range: 9VDC to 30VDC*
Tone Current Consumption: See Sound output table
Tone Synchronisation: Synchronised start
Flash Rate: 1/Sec
Flash Current Consumption: 90mA @ 12VDC
40mA @ 24VDC
-20°C to +55°C

Operating Temperature:
Case Material: ABS
Environment Category: Type A
IP Rating:* Shallow Base IP45
Deep Base IP66

Units meet minimum requirements of IP21C Shallow Base & IP33C Deepbase in accordance with EN54-3

Installation

All installation to be carried out by a competent person

IP66 Deep Base Moulding (weatherproof).

- To maintain IP rating when using a Deep Base, use wall mounting bracket Part Number: MM08728. Do not drill fixing holes in deep base. Use suitably rated 20mm cable glands to fit cables or conduit via side knock-outs. Fit 'O'-Ring seal between lens and base.

Non-IP66 Deep Base.

- Knock out the conduit/cable gland holes in side of deep base.
- Fit conduit or 20mm cable glands then screw the base to the mounting surface or BESA box.

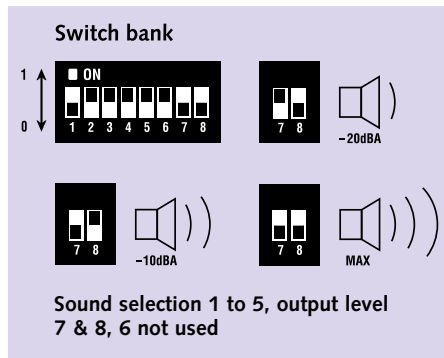
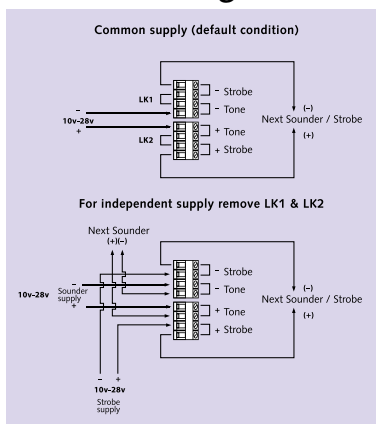
Shallow Base Moulding.

- Drill mounting holes in the bottom of Base for screw fixings.
- Route cable through rear hole or side knock-outs.
- Screw the base to the mounting surface or BESA box.

All fixings.

- Connect unit as shown in connection diagram (Left). Note: If independent supplies are required for the sounder and the beacon elements, remove LK1 and LK2.
- Place the Excel Lite onto the base and turn clockwise to retain.
- To remove the Excel Lite turn unit counter-clockwise.
- Where applicable, fit the security screw through the hole in the side of the lens assembly.

Connection diagram



Deep base with IP66 mounting accessory

Shallow base

Sound Output Table

No.	Sound Frequencies and Patterns	code 12345	Description	EN54-3 28Vdc see notes	Typ SPL@1m on axis		Typ Current mA	
					12V	24V	12V	24V
1	800Hz to 950Hz swept at 120Hz	00000	Banshee Buzz LF	-	94	100	6	12
2	800Hz to 950Hz swept at 9Hz	10000	Banshee Fast Sweep LF	✓	94	100	6	12
3	800Hz to 950Hz swept at 3Hz	01000	Banshee Slow Sweep LF	-	94	100	6	12
4	Continuous at 850Hz	11000	Banshee Continuous LF	-	94	100	6	12
5	830Hz to 970Hz swept at 9Hz	00100	Banshee Fast Sweep LF (New)	-	93	100	6	12
6	800Hz to 970Hz swept at 1Hz	10100	Medium Sweep LF	✓	94	100	6	12
7	Continuous at 970Hz	01100	Continuous LF	-	94	99	6	13
8	Intermittant at 950Hz 1sec on, 1sec off	11100	Backup Alarm LF	-	93	99	7	14
9	Alternating 800Hz/1000Hz, 0.5sec each sound	00010	Alternate LF	-	94	100	6	13
10	800Hz/1000Hz swept at 0.5sec	10010	Medium Sweep LF	-	94	100	6	12
11	Alternating tones 800/950Hz at 3Hz	01010	Alternate LF	-	94	101	6	12
12	2400Hz to 2900Hz at 120Hz	11010	Banshee buzz HF	-	102	109	16	35
13	2400Hz to 2900Hz at 9Hz	00110	Banshee Fast Sweep HF	-	103	110	17	35
14	2400Hz to 2900Hz at 3Hz	10110	Banshee Slow Sweep HF	-	103	110	17	35
15	Continuous 2900Hz	01110	Banshee Continuous HF	-	103	109	19	39
16	2450Hz to 3100Hz swept at 9Hz	11110	Banshee Fast Sweep HF (New)	-	103	109	18	36
17	Intermittant at 2900Hz 1sec on, 1sec off	00001	Backup Alarm HF	-	103	109	18	36
18	Alternating tones 2400/2900Hz at 3Hz	10001	Alternate HF	-	104	110	16	36
19	500Hz rising to 1200Hz over 3.5, silence 0.5sec	01001	Slow Whoop	✓	95	101	6	12
20	1200Hz falling to 500Hz over 1sec, silence 10ms	11001	Din Tone (DK)	✓	93	100	5	10
21	554Hz for 100ms and 440Hz for 400ms	00101	French Fire Sound	✓	90	96	4	7
22	420Hz repeating 0.625sec on, 0.625sec off	10101	Australian Alert Signal	-	89	94	3	6
23	500Hz rising to 1200Hz over 3.75sec on, 0.25sec off	01101	Australian Evacuation Signal	-	95	101	6	12
24	950Hz for 0.5sec on 0.5sec off, for 3 phases, silence for 1.5sec	11101	US Temporal Tone LF	-	93	99	5	10
25	2900Hz for 0.5sec on 0.5sec off, for 3 phases, silence for 1.5sec	00011	US Temporal Tone HF	-	103	109	13	26
26	Intermittant 660Hz 150ms on, 150ms off	10011	Swedish Tone (Fire)	-	90	96	3	6
27	Continuous 660Hz	01011	Swedish Tone (All Clear)	-	91	97	5	9
28	Intermittant 970Hz 500ms on, 500ms off	11011	ISO8201 LF	-	90	96	5	10
29	Intermittant 2900Hz 500ms on, 500ms off	00111	ISO8201 HF	-	103	109	13	27
30	Yodel 800Hz/1000Hz, 0.25sec each frequency	10111	BT Banshee (FP1063.1)	-	94	100	6	12
31	Continuous 1000Hz	01111	BT Banshee (FP1063.1)	-	88	94	6	14
32	Bell Tone	11111	Bell Tone	-	94	99	12	25

- Volume control providing up to 20dB attenuation. All frequencies are nominal.
- Column EN54-3 shows tones approved under the construction Product Directive.
- Specifications with an* have not been verified to be EN54-3 compliant.
- Polar diagram information is available in the technical manual 85***99MD, available on request.

ISS 2