



Material Safety Data Sheet



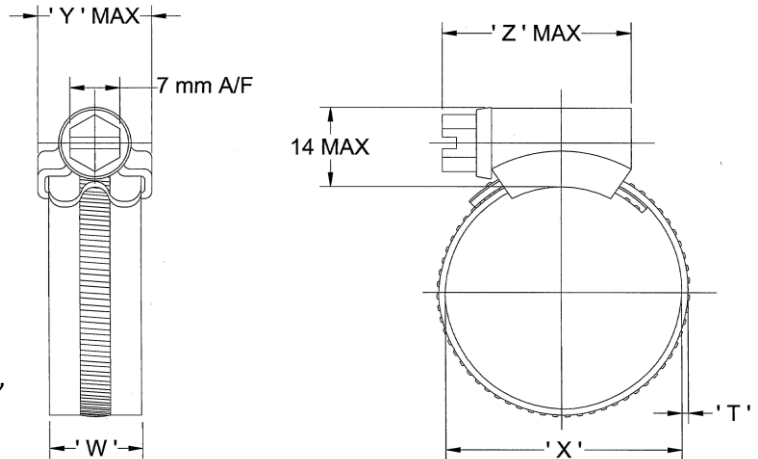
Section 1 Company and Product Identification

L. Robinson & Company (Gillingham) Limited,
 Incorporating Jubilee® Clips Limited
 Owens Way, Gads Hill,
 Gillingham,
 Kent,
 ME7 2RS, UK

Tel: +44 (0)1634 281200
 Fax: +44 (0)1634 280101

[http:// www.jubileeclips.co.uk](http://www.jubileeclips.co.uk)

Jubilee® Original 316 Stainless Steel (W5) Range,
 manufactured to BS5315:1991



RS Part Number	Jubilee Part Number	BS No	Adjustment		Band Width (W)	Band Thickness (T)	(Z)	(Y)	Recommended Torque Nm	Max Torque Nm	Recommended Max Pressure PSI
			mm	Inches	mm	mm	mm	mm			
1245638	00SS316	12	9.5- 12	¾ - ½	9.9	0.762	20.5	12.5	3.4	4.5	203
1245639	M00SS316	16	11- 16	½ - ¾	9.9	0.762	20.5	12.5	3.4	4.5	203
1245640	00SS316	20	13- 20	½ - ¾	9.9	0.762	20.5	12.5	3.4	4.5	203
1245641	0SS316	22	16- 22	¾ - ¾	13	0.914	24.5	16	4.2	5.6	203
1245643	0XSS316	25	18- 25	¾ - 1	13	0.914	24.5	16	4.2	5.6	203
1245644	1ASS316	30	22- 30	¾ - 1½	13	0.914	24.5	16	5.1	6.8	203
1245645	1SS316	35	25- 35	1 - 1½	13	0.914	24.5	16	5.1	6.8	102
1245646	1XSS316	40	30- 40	1½ - 1½	13	0.914	29	16	5.1	6.8	102
1245647	1MSS316	45	32- 45	1½ - 1½	13	0.914	29	16	5.1	6.8	102
1245648	2ASS316	50	35- 50	1½ - 2	13	0.914	29	16	5.9	7.9	102
1245649	2SS316	55	40- 55	1½ - 2½	13	0.914	33	16	5.9	7.9	102
1245650	2XSS316	60	45- 60	1½ - 2½	13	0.914	33	16	5.9	7.9	102
1245651	3SS316	70	55- 70	2½ - 2½	13	0.914	33	16	6.7	9	102
1245652	3XSS316	80	60- 80	2½ - 3½	13	0.914	33	16	6.7	9	44
1245653	4SS316	90	70- 90	2½ - 3½	13	0.914	33	16	6.7	9	44
1245654	4XSS316	100	85-100	3½ - 4	13	0.914	33	16	6.7	9	44
1245655	5SS316	120	90-120	3½ - 4½	13	0.914	33	16	6.7	9	44
1245656	6SS316	140	110-140	4½ - 5½	13	0.914	33	16	6.7	9	44
1245657	6XSS316	150	120-150	4½ - 5½	13	0.914	33	16	6.7	9	18
1245659	7SS316	165	135-165	5½ - 6½	13	0.914	33	16	5.9	7.9	18
1245660	7.5SS316	190	158-190	6½ - 7½	13	0.914	33	16	5.9	7.9	18
1245661	8.5SS316	216	184-216	7½ - 8½	13	0.914	33	16	5.9	7.9	18
1245662	9.5SS316	242	210-242	8½ - 9½	13	0.914	33	16	5.9	7.9	18
1245663	10.5SS316	267	235-267	9½ - 10½	13	0.914	33	16	5.9	7.9	18
1245664	11.5SS316	292	260-292	10½ - 11½	13	0.914	33	16	5.9	7.9	18
1245665	12.5SS316	318	286-318	11½ - 12½	13	0.914	33	16	5.9	7.9	18

Contents								Image				
RS Part Number	Jubilee Part Number	Description	Contents		Qty	Adjustment Range						
			RS Part Number	Jubilee Part Number		mm	Inches					
1440641	HP100SS316	Handy Pack	1245638	000SS316	10	9.5 - 12	3/8 - 1/2					
			1245639	M00SS316	10	11 - 16	1/2 - 5/8					
			1245640	00SS316	10	13 - 20	1/2 - 3/4					
			1245641	0SS316	10	16 - 22	5/8 - 7/8					
			1245643	0XSS316	10	18 - 25	3/4 - 1					
			1245644	1ASS316	10	22 - 30	7/8 - 1 1/8					
			1245645	1SS316	10	25 - 35	1 - 1 1/8					
			1245646	1XSS316	10	30 - 40	1 1/8 - 1 3/8					
			1245647	1MSS316	10	32 - 45	1 1/4 - 1 3/4					
			1245648	2ASS316	10	35 - 50	1 1/2 - 2					
1440642	HCP143SS316	Workshop Pack	1245638	000SS316	24	9.5 - 12	3/8 - 1/2					
			1245639	M00SS316	32	11 - 16	1/2 - 5/8					
			1245640	00SS316	28	13 - 20	1/2 - 3/4					
			1245641	0SS316	13	16 - 22	5/8 - 7/8					
			1245643	0XSS316	13	18 - 25	3/4 - 1					
			1245644	1ASS316	14	22 - 30	7/8 - 1 1/8					
			1245645	1SS316	12	25 - 35	1 - 1 1/8					
			1245646	1XSS316	7	30 - 40	1 1/8 - 1 3/8					
			1440638	CD100SS316	Clip Dispenser	1245638	000SS316		10	9.5 - 12	3/8 - 1/2	
						1245639	M00SS316		10	11 - 16	1/2 - 5/8	
1245640	00SS316	10				13 - 20	1/2 - 3/4					
1245641	0SS316	10				16 - 22	5/8 - 7/8					
1245643	0XSS316	10				18 - 25	3/4 - 1					
1245644	1ASS316	10				22 - 30	7/8 - 1 1/8					
1245645	1SS316	10				25 - 35	1 - 1 1/8					
1245646	1XSS316	10				30 - 40	1 1/8 - 1 3/8					
1245647	1MSS316	10				32 - 45	1 1/4 - 1 3/4					
1245648	2ASS316	10				35 - 50	1 1/2 - 2					
			N/A	FLX	3	N/A	N/A					
1440640	CD140SS316	Large Clip Dispenser	1245638	000SS316	10	9.5 - 12	3/8 - 1/2					
			1245639	M00SS316	10	11 - 16	1/2 - 5/8					
			1245640	00SS316	10	13 - 20	1/2 - 3/4					
			1245641	0SS316	10	16 - 22	5/8 - 7/8					
			1245643	0XSS316	10	18 - 25	3/4 - 1					
			1245644	1ASS316	10	22 - 30	7/8 - 1 1/8					
			1245645	1SS316	10	25 - 35	1 - 1 1/8					
			1245646	1XSS316	10	30 - 40	1 1/8 - 1 3/8					
			1245647	1MSS316	10	32 - 45	1 1/4 - 1 3/4					
			1245648	2ASS316	10	35 - 50	1 1/2 - 2					
			1245649	2SS316	10	40 - 55	1 1/2 - 2 1/8					
			1245650	2XSS316	10	45 - 60	1 3/4 - 2 3/8					
			1245651	3SS316	10	55 - 70	2 1/2 - 2 3/4					
			1245652	3XSS316	10	60 - 80	2 3/8 - 3 1/8					
						N/A	FLX		3	N/A	N/A	

Section 2 Composition/Information on Ingredients

Composition/Information on constituents of iron alloy.

Manganese	< 11%
Chromium	< 30%
Nickel	< 38%
Mo	< 8 %

Other elements vary such as Si, Cu, Ti, in each alloy composition and are generally not classified as hazardous, or are below the concentration levels for classification of these alloys as hazardous, and are not subject to recognised exposure limits.

Section 3 First Aid Measures

Inhalation:	There are no specific symptoms associated with steel in the product forms.
Skin:	There are no specific symptoms associated with steel in the product forms.
Eyes:	Not applicable.
Ingestion:	Not applicable.

Section 4 Fire Fighting Measures

Non flammable

Section 5 Handling and Storage

Store in a dry area

Section 6 Physical and Chemical Properties

Colour:	Metallic grey/silver
Odour:	None
Form/state:	Solid
Melting point:	1454 °C
Max service temp:	870 °C
Min service temp:	-196 °C
Magnetism:	1.008 μ
Resistance:	72 μΩ
Density:	8.03 g/cm ³

Section 7 Stability and Reactivity

Stability:	Stable in normal condition
Reacts with:	Reacts with strong acids, and hydrogen is then one of the substances emitted.
Corrosion Resistance:	NSS 2000hours

Section 8 Toxicological Information

Nickel is classified as a skin sensitizer however numerous patch tests have established that most stainless steels do not cause sensitization, but a few types may result in allergic skin reactions in sensitized individuals after prolonged contact.

No carcinogenic effects resulting from exposure to stainless steels have been reported, either in epidemiological studies or in tests with animals.

Section 9 Ecological Information

No ecological effects are known for the product as a whole.

Section 10 Disposal Considerations

Disposal method: Recyclable, Jubilee® clips' Original 316 Stainless Steel Range are made from key raw material for the production of new stainless steel. Steel is the world's most recycled construction material and can be recycled with retained material properties.

Section 11 Transport Information

No special requirements are necessary in transporting these products.

Section 12 Regulatory Information

This product conforms to EU Regulation 1097/2006 (REACH)

This product is compliant with EU directive 2011/65/EU (ROHS2)

BS EN ISO 9001:2008 FM00547

BS EN ISO 14001:2004 EMS573195

BS OHSAS 18001:2007 OHS601983

Manufactured to BS5315:1991

Lloyds Register Type Approval Certificate number 96/00006(E2)

Quality Assurance:



Section 13 Other Information

The information above is believed to be accurate and represents the best information currently available to L. Robinson & Co Ltd. However, L. Robinson & Co Ltd make no warranty of merchantability or any other warranty, expressed or implied, with respect to such information, and we assume no liability resulting from its use. Users should make their own investigations to determine the suitability of the information for their particular purposes. In no event shall L. Robinson & Co Ltd be liable for any claims, losses, or damages of any third party or for lost profits or any special, indirect, incidental, consequential or exemplary damages, howsoever arising, even if L. Robinson & Co Ltd has been advised of the possibility of such damages.

Document Issue Date: 10th July 2017

Revision Number: 1