

W1G200-EC91-45

# EC axial fan - ESM

sickled blades (S series)

ESM wall ring



## ebm-papst Mulfingen GmbH & Co. KG

Bachmühle 2 · D-74673 Mulfingen

Phone +49 7938 81-0

Fax +49 7938 81-110

info1@de.ebmpapst.com

www.ebmpapst.com

Limited partnership · Headquarters Mulfingen  
County court Stuttgart · HRA 590344

General partner: Elektrobau Mulfingen GmbH · Headquarters Mulfingen  
County court Stuttgart · HRB 590142

## Nominal data

Type	W1G200-EC91-45		
Motor	M1G055-BD		
Phase		1~	1~
Nominal voltage	VAC	230	230
Frequency	Hz	50/60	50/60
Type of data definition		-	ml
Speed	min <sup>-1</sup>	1500	2100
Power input	W	-	31
Current draw	A		0.24
Max. back pressure	Pa		55
Min. ambient temperature	°C	-30	-30
Max. ambient temperature	°C	50	50

ml = max. load · me = max. efficiency · fa = running at free air · cs = customer specs · cu = customer unit  
Subject to alterations



### Technical features

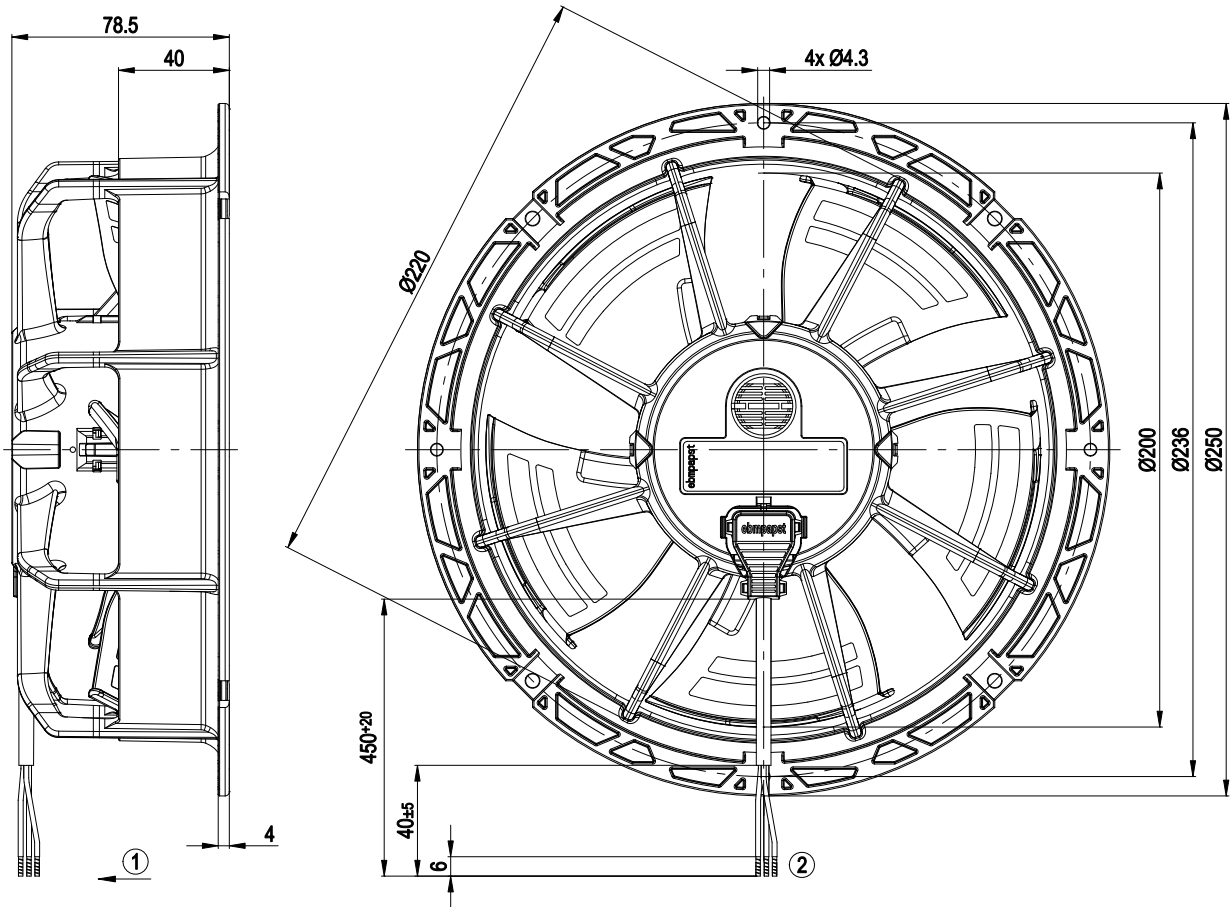
<b>Mass</b>	1.0 kg
<b>Size</b>	200 mm
<b>Material of electronics housing</b>	PP plastic
<b>Material of impeller</b>	PA plastic
<b>Material of wall ring</b>	PP plastic
<b>Number of blades</b>	5
<b>Direction of air flow</b>	"V"
<b>Direction of rotation</b>	Counter-clockwise, seen on rotor
<b>Type of protection</b>	IP 54
<b>Insulation class</b>	"B"
<b>Humidity class</b>	F3-1
<b>Max. permissible ambient motor temp. (transp./ storage)</b>	+80 °C
<b>Min. permissible ambient motor temp. (transp./storage)</b>	-40 °C
<b>Mounting position</b>	Any
<b>Condensate discharge holes</b>	None
<b>Operation mode</b>	S1
<b>Motor bearing</b>	Ball bearing
<b>Technical features</b>	- Over-temperature protected motor - Soft start - Speed selection max/min
<b>Speed steps</b>	2
<b>EMC interference immunity</b>	Acc. to EN 61000-6-2 (industrial environment)
<b>EMC harmonics</b>	Acc. to EN 61000-3-2/3
<b>EMC interference emission</b>	Acc. to EN 61000-6-3 (household environment)
<b>Motor protection</b>	Thermal overload protector (TOP) wired internally
<b>Cable exit</b>	Lateral
<b>Protection class</b>	II
<b>Product conforming to standard</b>	EN 60335-1; CE
<b>Approval</b>	CSA C22.2 Nr.113; UL 507; VDE

# EC axial fan - ESM

sickled blades (S series)

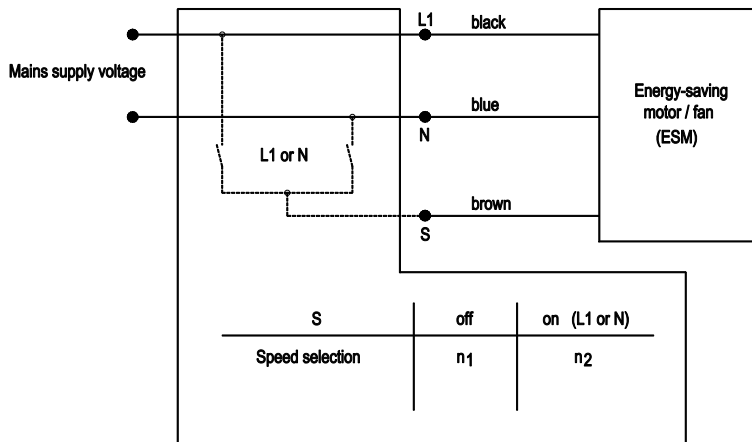
ESM wall ring

## Product drawing

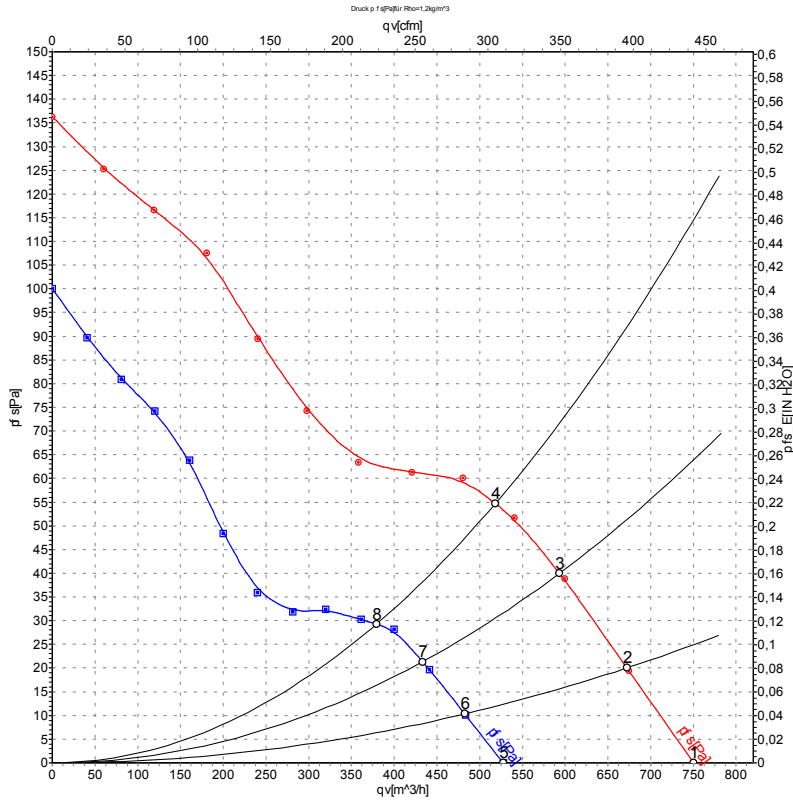


- 1 Direction of air flow "V"
- 2 Connection line PVC AWG20; 3 x brass lead tips crimped

## Connection screen



## Charts: Air flow 50 Hz



Measurement: LU-113351  
Measurement: LU-113352

Air performance measured as per ISO 5801 Installation category A. For detailed information on the measuring set-up, please contact ebm-papst. Suction-side noise levels: L<sub>wA</sub> measured as per ISO 13347 / L<sub>pA</sub> measured with 1m distance to fan axis. The values given are valid under the measuring conditions mentioned above and may vary according to the actual installation situation. With any deviation from the standard set-up, the specific values have to be checked and reviewed with the unit installed.

## Measured values

	U	f	n	P <sub>ed</sub>	I	L <sub>pA<sub>in</sub></sub>	L <sub>wA<sub>in</sub></sub>	qv	p <sub>fs</sub>
	V	Hz	min <sup>-1</sup>	W	A	dB(A)	dB(A)	m <sup>3</sup> /h	Pa
1	230	50	2100	29	0.22	55	62	750	0
2	230	50	2100	30	0.23	54	61	670	20
3	230	50	2100	31	0.24	53	60	595	40
4	230	50	2100	31	0.24	54	62	520	55
5	230	50	1500	14	0.11	46	54	525	0
6	230	50	1500	16	0.12	46	54	480	10
7	230	50	1500	16	0.13	45	53	435	21
8	230	50	1500	16	0.13	47	55	380	29

