

All Quartz SMD Crystal



Model: FQ1045A

RoHS Compliant / Pb Free

Rev. 5/24/2006

Page 1 of 2

http://www.foxonline.com/need_a_sample.htm



FEATURES

- Surface Mount All Quartz
- Low Cost
- Ultra Low Profile
- Fundamental

OPTIONS

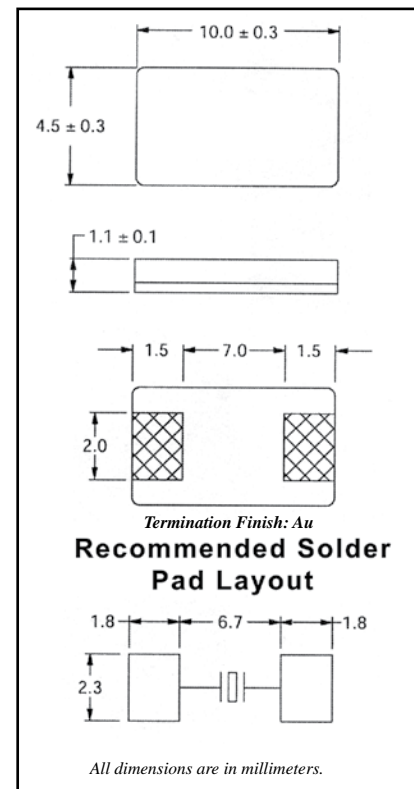
- Tolerances to ± 20 PPM
- Stabilities to ± 20 PPM
- Temp Range to $-40^{\circ}\text{C} \sim +85^{\circ}\text{C}$

• PART NUMBER Learn More - Internet Required		
Part Number	Model Number	Frequency Range (MHz)
735A-Frequency-xxxxx	FQ1045A	3.2768 ~ 6.000

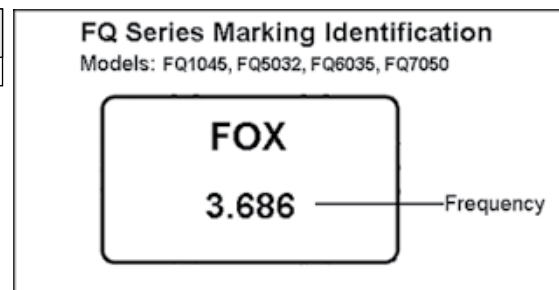
• STANDARD SPECIFICATIONS ¹	
PARAMETERS	MAX (unless otherwise noted)
Frequency Range (Fo)	3.2768 ~ 6.000 MHz
Frequency Tolerance @ 25°C	± 30 PPM ¹
Frequency Stability, ref @ 25°C Over Operating Temp Range	± 30 PPM ¹
Temperature Range	
Operating (TOPR)	$0^{\circ}\text{C} \sim +70^{\circ}\text{C}$ ¹
Storage (TSTG)	$-40^{\circ}\text{C} \sim +85^{\circ}\text{C}$
Shunt Capacitance (Co)	7 pF
Load Capacitance (CL)	10 pF ~ Series (Customer Specified)
Drive Level	0.5 mW
Aging per year	± 5 PPM

¹ Other tolerances, stabilities & operating temperature ranges available. Consult Fox Customer Service for specific requirements.

NOTE: The above specifications, having been carefully prepared and checked, is believed to be accurate at the time of publication; however, no responsibility is assumed by Fox Electronics for inaccuracies. All specifications subject to change without notice.



Frequency Range (MHz)	Operating Mode	Max ESR Ω
3.2768 ~ 6.000	Fundamental	150



All Quartz SMD Crystal



Model: FQ1045A

RoHS Compliant / Pb Free

Rev. 5/24/2006

Page 2 of 2

http://www.foxonline.com/need_a_sample.htm



• TAPE SPECIFICATIONS (millimeters)							
MODEL	A	B	C	D	E	F	STD Reel QTY
FQ1045A	Ø1.5	4.0	8.0	7.5	16.0	2.0	1,000

• REEL SPECIFICATIONS (millimeters)							
MODEL	G	H	I	J	K	L	M
FQ1045A	2.0	Ø13	Ø21	Ø62.5	Ø178	16.4	2.0

