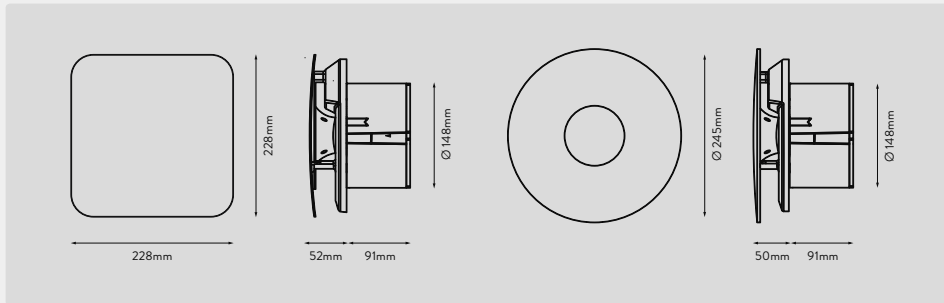
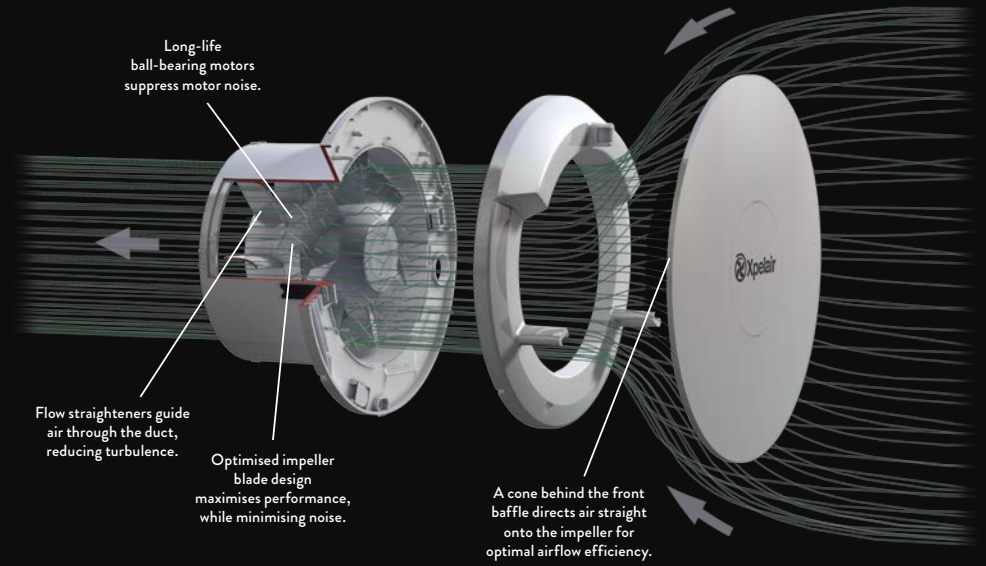


Simply Silent™ Contour C6

6"/150mm axial extract fan range



The Simply Silent™ Contour C6 intermittent extract fan range has been designed to blend seamlessly with the surrounding décor. These fans control humidity, odours and mould growth effectively in kitchens, utility rooms, larger bathrooms and individual offices. The Contour 6 range has two speeds, selectable at install.

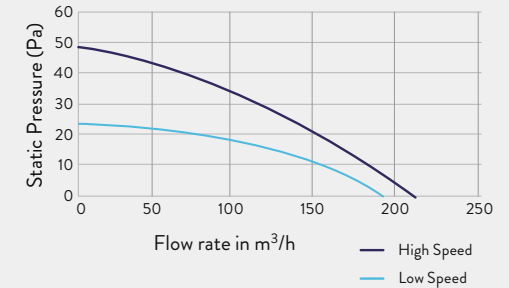


| Product Features | C6S | C6TS | C6PS | C6HTS | C6R | C6TR | C6PR | C6HTR |
|---------------------|---------|---------|---------|---------|---------|---------|---------|---------|
| Reference Number | 93170AW | 93172AW | 93174AW | 93176AW | 93171AW | 93173AW | 93175AW | 93177AW |
| Trade Price | £66.66 | £74.99 | £74.99 | £99.99 | £66.66 | £74.99 | £74.99 | £99.99 |
| Design | ■ | ■ | ■ | ■ | ● | ● | ● | ● |
| Standard | ✓ | | | | ✓ | | | |
| Timer | | ✓ | | ✓ | | ✓ | | ✓ |
| Pullcord | | | ✓ | | | | ✓ | |
| Humidistat | | | | ✓ | | | | ✓ |
| Backdraught Shutter | ✓ | ✓ | ✓ | ✓ | ✓ | ✓ | ✓ | ✓ |

| Product Selector | C6 |
|-------------------------------|-----------|
| Speeds | 2 |
| Extract Performance (l/s) | 54/61 |
| Extract Performance (m³/h) | 194/217 |
| Electrical Power Rating (W) | 15/22 |
| Specific Fan Power (W/l/s) | 0.28/0.36 |
| Sound Pressure Level (dBA@3m) | 41/44 |
| IP Rating | IPX4 |

| Low Speed | |
|----------------------|-------------------|
| Static Pressure (Pa) | Flow rate in m³/h |
| 0 | 193.46 |
| 3.2 | 182.99 |
| 5.8 | 172.59 |
| 9.2 | 161.51 |
| 12.2 | 149.60 |
| 14.2 | 136.66 |
| 16.3 | 122.34 |
| 17.8 | 106.08 |
| 19.4 | 86.79 |
| 21.6 | 61.62 |
| 23.5 | 0.00 |

| High Speed | |
|----------------------|-------------------|
| Static Pressure (Pa) | Flow rate in m³/h |
| 0 | 218.32 |
| 4.2 | 208.20 |
| 9.2 | 196.35 |
| 13 | 183.73 |
| 16.3 | 170.17 |
| 19.8 | 155.44 |
| 23.9 | 139.14 |
| 29.5 | 120.64 |
| 35.8 | 98.68 |
| 42.2 | 70.05 |
| 48.6 | 0.00 |



ANCILLARIES

We recommend the Simply Silent 150mm Easy Fit Wall Kit to allow fuss-free fitting from the inside. See page 118 for further information.