

## FEATURES

Low  $V_{OS}$  ( $V_{BE}$  match): 40  $\mu\text{V}$  typical, 100  $\mu\text{V}$  maximum

Low  $TCV_{OS}$ : 0.5  $\mu\text{V}/^\circ\text{C}$  maximum

High  $h_{FE}$ : 500 minimum

Excellent  $h_{FE}$  linearity from 10 nA to 10 mA

Low noise voltage: 0.23  $\mu\text{V}$  p-p from 0.1 Hz to 10 Hz

High breakdown: 45 V min

## APPLICATIONS

Weigh scales

Low noise, op amp, front end

Current mirror and current sink/source

Low noise instrumentation amplifiers

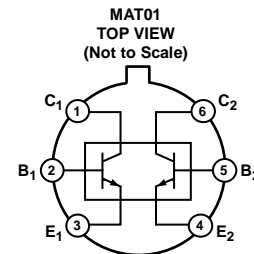
Voltage controlled attenuators

Log amplifiers

## GENERAL DESCRIPTION

The **MAT01** is a monolithic dual NPN transistor. An exclusive silicon nitride triple passivation process provides excellent stability of critical parameters over both temperature and time. Matching characteristics include offset voltage of 40  $\mu\text{V}$ , temperature drift of 0.15  $\mu\text{V}/^\circ\text{C}$ , and  $h_{FE}$  matching of 0.7%.

## PIN CONNECTION DIAGRAM



### NOTES

1. SUBSTRATE IS CONNECTED TO CASE.

Figure 1.

00282-001

High  $h_{FE}$  is provided over a six decade range of collector current, including an exceptional  $h_{FE}$  of 590 at a collector current of only 10 nA. The high gain at low collector current makes the **MAT01** ideal for use in low power, low level input stages.

# MAT01\* Product Page Quick Links

Last Content Update: 11/01/2016

---

## [Comparable Parts](#)

View a parametric search of comparable parts

## [Documentation](#)

### **Application Notes**

- AN-139: A Low Voltage Power Supply Watch-Dog Monitor Circuit

### **Data Sheet**

- MAT01: Matched Monolithic Dual Transistor Data Sheet

## [Design Resources](#)

- MAT01 Material Declaration
- PCN-PDN Information
- Quality And Reliability
- Symbols and Footprints

## [Discussions](#)

View all MAT01 EngineerZone Discussions

## [Sample and Buy](#)

Visit the product page to see pricing options

## [Technical Support](#)

Submit a technical question or find your regional support number

---

**TABLE OF CONTENTS**

Features .....	1	ESD Caution.....	5
Applications.....	1	Typical Performance Characteristics .....	6
Pin Connection Diagram .....	1	Test Circuits.....	8
General Description .....	1	Applications Information .....	9
Revision History .....	2	Typical Applications.....	10
Specifications.....	3	Outline Dimensions .....	11
Electrical Characteristics .....	3	Ordering Guide .....	11
Absolute Maximum Ratings.....	5		

**REVISION HISTORY**

**9/14—Rev. C to Rev. D**

Changes to Figure 4 and Figure 7..... 6

**4/13—Rev. B to Rev. C**

Updated Format..... Universal  
 Added Applications Section, Deleted Figure 2,  
 Renumbered Sequentially..... 1  
 Deleted Table 3, Renumbered Sequentially..... 4  
 Changes to Table 3..... 5  
 Changes to Typical Performance Characteristics Section..... 6  
 Updated Outline Dimensions .....

**2/02—Rev. A to Rev. B**

Edits to Features..... 1  
 Deleted Wafer Test Limits .....

# SPECIFICATIONS

## ELECTRICAL CHARACTERISTICS

$V_{CB} = 15\text{ V}$ ,  $I_C = 10\ \mu\text{A}$ ,  $T_A = 25^\circ\text{C}$ , unless otherwise noted.

Table 1.

Parameter	Symbol	Test Conditions/Comments	MAT01AH			MAT01GH			Unit
			Min	Typ	Max	Min	Typ	Min	
VOLTAGE									
Breakdown Voltage	$BV_{CEO}$	$I_C = 100\ \mu\text{A}$	45			45			V
Offset Voltage	$V_{OS}$			0.04	0.1		0.10	0.5	mV
Offset Voltage Stability									
First Month <sup>1</sup>	$V_{OS}/\text{Time}$			2.0			2.0		$\mu\text{V}/\text{Mo}$
Long Term <sup>2</sup>				0.2			0.2		$\mu\text{V}/\text{Mo}$
CURRENT									
Offset Current	$I_{OS}$			0.1	0.6		0.2	3.2	nA
Bias Current	$I_B$			13	20		18	40	nA
Current Gain	$h_{FE}$	$I_C = 10\ \text{nA}$		590			430		
		$I_C = 10\ \mu\text{A}$	500	770		250	560		
		$I_C = 10\ \text{mA}$		840			610		
Current Gain Match	$\Delta h_{FE}$	$I_C = 10\ \mu\text{A}$		0.7	3.0		1.0	8.0	%
		$100\ \text{nA} \leq I_C \leq 10\ \text{mA}$		0.8			1.2		%
NOISE									
Low Frequency Noise Voltage	$e_n\ \text{p-p}$	0.1 Hz to 10 Hz <sup>3</sup>		0.23	0.4		0.23	0.4	$\mu\text{V p-p}$
Broadband Noise Voltage	$e_n\ \text{rms}$	1 Hz to 10 kHz		0.60			0.60		$\mu\text{V rms}$
Noise Voltage Density	$e_n$	$f_0 = 10\ \text{Hz}^3$		7.0	9.0		7.0	9.0	$\text{nV}/\sqrt{\text{Hz}}$
		$f_0 = 100\ \text{Hz}^3$		6.1	7.6		6.1	7.6	$\text{nV}/\sqrt{\text{Hz}}$
		$f_0 = 1000\ \text{Hz}^3$		6.0	7.5		6.0	7.5	$\text{nV}/\sqrt{\text{Hz}}$
OFFSET VOLTAGE/CURRENT									
Offset Voltage Change	$\Delta V_{OS}/\Delta V_{CB}$	$0 \leq V_{CB} \leq 30\ \text{V}$		0.5	3.0		0.8	8.0	$\mu\text{V}/\text{V}$
Offset Current Change	$\Delta I_{OS}/\Delta V_{CB}$	$0 \leq V_{CB} \leq 30\ \text{V}$		2	15		3	70	$\text{pA}/\text{V}$
LEAKAGE									
Collector to Base Leakage Current	$I_{CBO}$	$V_{CB} = 30\ \text{V}$ , $I_E = 0^4$		15	50		25	200	pA
Collector to Emitter Leakage Current	$I_{CES}$	$V_{CE} = 30\ \text{V}$ , $V_{BE} = 0^{4,5}$		50	200		90	400	pA
Collector to Collector Leakage Current	$I_{CC}$	$V_{CC} = 30\ \text{V}^5$		20	200		30	400	pA
SATURATION									
Collector Saturation Voltage	$V_{CE(SAT)}$	$I_B = 0.1\ \text{mA}$ , $I_C = 1\ \text{mA}$		0.12	0.20		0.12	0.25	V
		$I_B = 1\ \text{mA}$ , $I_C = 10\ \text{mA}$		0.8			0.8		V
GAIN BANDWIDTH PRODUCT									
	$f_T$	$V_{CE} = 10\ \text{V}$ , $I_C = 10\ \text{mA}$		450			450		MHz
CAPACITANCE									
Output Capacitance	$C_{OB}$	$V_{CB} = 15\ \text{V}$ , $I_E = 0$		2.8			2.8		pF
Collector to Collector Capacitance	$C_{CC}$	$V_{CC} = 0$		8.5			8.5		pF

<sup>1</sup> Exclude first hour of operation to allow for stabilization.

<sup>2</sup> Parameter describes long-term average drift after first month of operation.

<sup>3</sup> Sample tested.

<sup>4</sup> The collector to base ( $I_{CBO}$ ) and collector to emitter ( $I_{CES}$ ) leakage currents can be reduced by a factor of 2 to 10 times by connecting the substrate (package) to a potential that is lower than either collector voltage.

<sup>5</sup>  $I_{CC}$  and  $I_{CES}$  are guaranteed by measurement of  $I_{CBO}$ .

$V_{CB} = 15\text{ V}$ ,  $I_C = 10\ \mu\text{A}$ ,  $-55^\circ\text{C} \leq T_A \leq +125^\circ\text{C}$ , unless otherwise noted.

**Table 2.**

Parameter	Symbol	Test Conditions/Comments	MAT01AH			MAT01GH			Unit
			Min	Typ	Max	Min	Typ	Min	
OFFSET VOLTAGE/CURRENT									
Offset Voltage	$V_{OS}$			0.06	0.15		0.14	0.70	mV
Average Offset Voltage Drift <sup>1</sup>	$TCV_{OS}$			0.15	0.50		0.35	1.8	$\mu\text{V}/^\circ\text{C}$
Offset Current	$I_{OS}$			0.9	8.0		1.5	15.0	nA
Average Offset Current Drift <sup>2</sup>	$TCI_{OS}$			10	90		15	150	$\text{pA}/^\circ\text{C}$
BIAS CURRENT	$I_B$			28	60		36	130	nA
CURRENT GAIN	$h_{FE}$			167	400		77	300	
LEAKAGE CURRENT									
Collector to Base Leakage Current	$I_{CBO}$	$T_A = 125^\circ\text{C}$ , $V_{CB} = 30\text{ V}$ , $I_E = 0^3$		15	80		25	200	nA
Collector to Emitter Leakage Current	$I_{CES}$	$T_A = 125^\circ\text{C}$ , $V_{CE} = 30\text{ V}$ , $V_{BE} = 0^{1,3}$		50	300		90	400	nA
Collector to Collector Leakage Current	$I_{CC}$	$T_A = 125^\circ\text{C}$ , $V_{CC} = 30\text{ V}^1$		30	200		50	400	nA

<sup>1</sup> Guaranteed by  $V_{OS}$  test  $\left( TCV_{OS} \cong \frac{V_{OS}}{T} \text{ for } V_{OS} \ll V_{BE} \right)$ ,  $T = 298\text{ K}$  for  $T_A = 25^\circ\text{C}$ .

<sup>2</sup> Guaranteed by  $I_{OS}$  test limits over temperature.

<sup>3</sup> The collector to base ( $I_{CBO}$ ) and collector to emitter ( $I_{CES}$ ) leakage currents can be reduced by a factor of 2 to 10 times by connecting the substrate (package) to a potential that is lower than either collector voltage.

## ABSOLUTE MAXIMUM RATINGS

Table 3.

Parameter <sup>1</sup>	Rating
Breakdown Voltage of	
Collector to Base Voltage ( $BV_{CBO}$ )	45 V
Collector to Emitter Voltage ( $BV_{CEO}$ )	45 V
Collector to Collector Voltage ( $BV_{CC}$ )	45 V
Emitter to Emitter Voltage ( $BV_{EE}$ )	45 V
Emitter to Base Voltage ( $BV_{EBO}$ ) <sup>2</sup>	5 V
Current	
Collector ( $I_C$ )	25 mA
Emitter ( $I_E$ )	25 mA
Total Power Dissipation	
Case Temperature $\leq 40^\circ\text{C}$ <sup>3</sup>	1.8 W
Ambient Temperature $\leq 70^\circ\text{C}$ <sup>4</sup>	500 mW
Temperature Range	
Operating	$-55^\circ\text{C}$ to $+125^\circ\text{C}$
Junction	$-55^\circ\text{C}$ to $+150^\circ\text{C}$
Storage	$-65^\circ\text{C}$ to $+150^\circ\text{C}$
Lead Temperature (Soldering, 60 sec)	$300^\circ\text{C}$

<sup>1</sup> Absolute maximum ratings apply to packaged devices.

<sup>2</sup> Application of reverse bias voltages in excess of rating shown can result in degradation of  $h_{FE}$  and  $h_{FE}$  matching characteristics. Do not attempt to measure  $BV_{EBO}$  greater than the 5 V rating.

<sup>3</sup> Rating applies to applications using heat sinking to control case temperature. Derate linearity at  $16.4 \text{ mW}/^\circ\text{C}$  for case temperatures above  $40^\circ\text{C}$ .

<sup>4</sup> Rating applies to applications not using heat sinking; device in free air only. Derate linearity at  $6.3 \text{ mW}/^\circ\text{C}$  for ambient temperatures above  $70^\circ\text{C}$ .

Stresses above those listed under Absolute Maximum Ratings may cause permanent damage to the device. This is a stress rating only; functional operation of the device at these or any other conditions above those indicated in the operational section of this specification is not implied. Exposure to absolute maximum rating conditions for extended periods may affect device reliability.

### ESD CAUTION



**ESD (electrostatic discharge) sensitive device.** Charged devices and circuit boards can discharge without detection. Although this product features patented or proprietary protection circuitry, damage may occur on devices subjected to high energy ESD. Therefore, proper ESD precautions should be taken to avoid performance degradation or loss of functionality.

TYPICAL PERFORMANCE CHARACTERISTICS

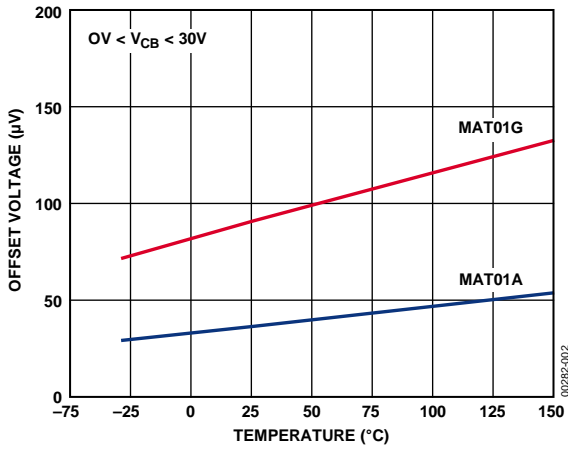


Figure 2. Offset Voltage vs. Temperature

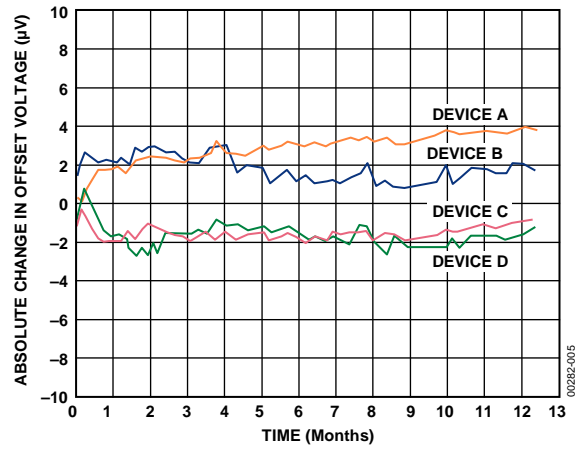


Figure 5. Offset Voltage vs. Time

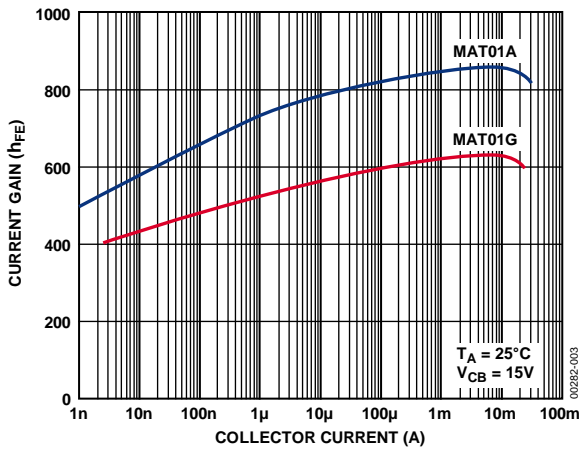


Figure 3. Current Gain vs. Collector Current

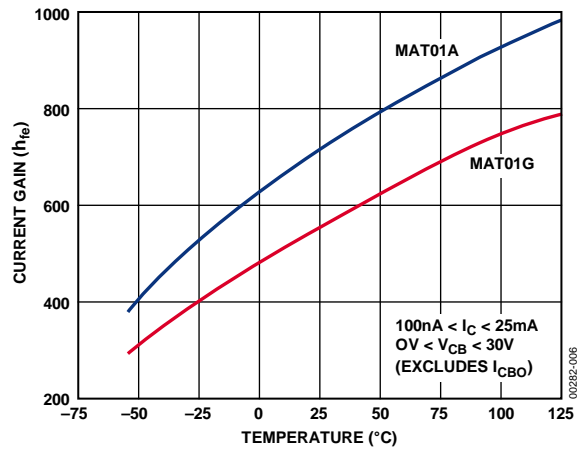


Figure 6. Current Gain vs. Temperature

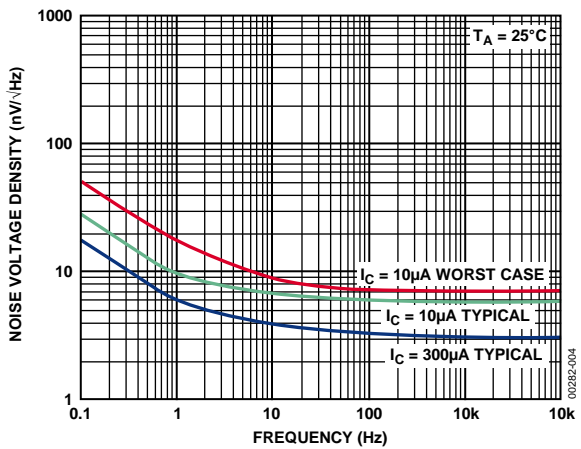


Figure 4. Noise Voltage Density vs. Frequency

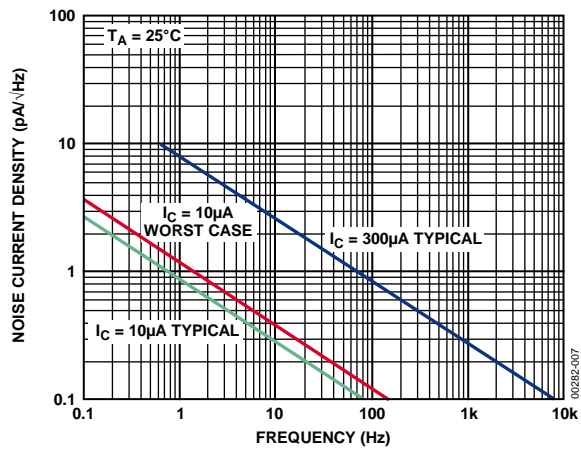


Figure 7. Noise Current Density vs. Frequency

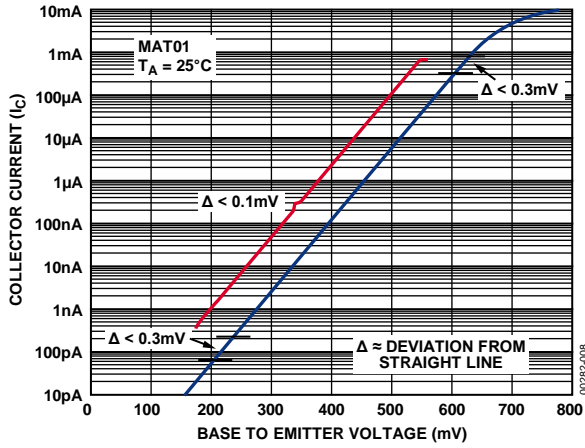


Figure 8. Collector Current vs. Base to Emitter Voltage

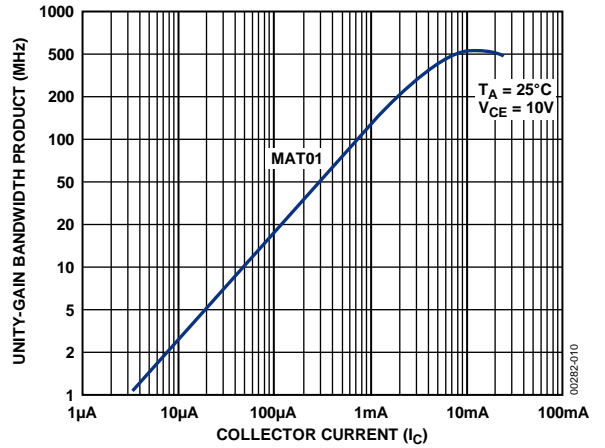


Figure 10. Unity-Gain Bandwidth vs. Collector Current

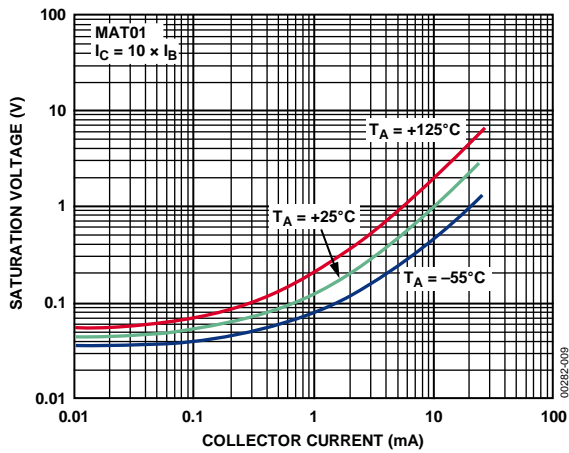


Figure 9. Saturation Voltage vs. Collector Current



TEST CIRCUITS

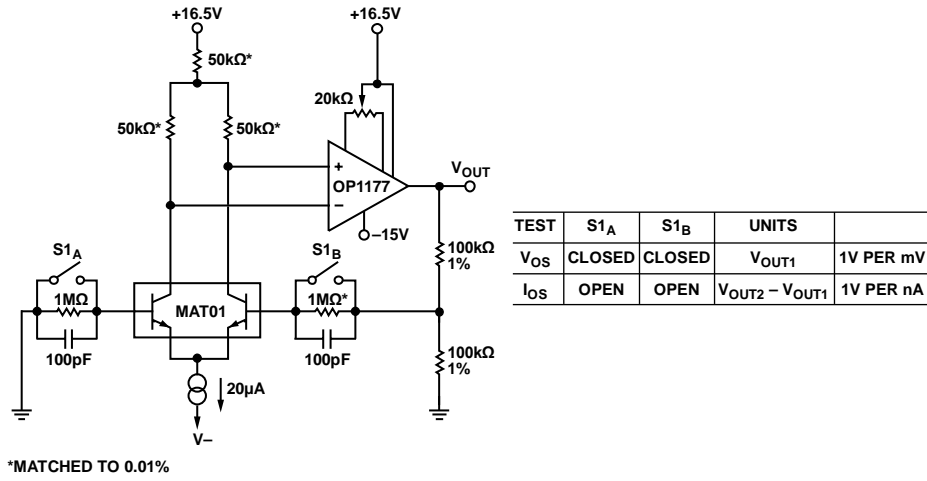
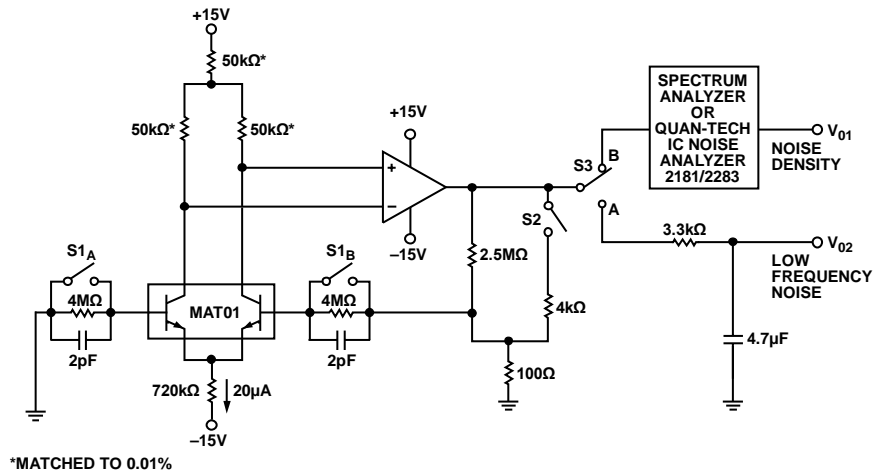


Figure 11. Matching Measurement Circuit



TEST	S1A	S1B	S2	S3**	READING
NOISE VOLTAGE DENSITY (PER TRANSISTOR)	CLOSED	CLOSED	CLOSED	A	$V_{01}/\sqrt{2}$
NOISE CURRENT DENSITY (PER TRANSISTOR)	OPEN	OPEN	CLOSED	A	$V_{01}/(\sqrt{2} \times 4M\Omega)$
LOW FREQUENCY NOISE (REFERRED TO INPUT)	CLOSED	CLOSED	OPEN	B	$\frac{V_{02} \text{ PEAK-TO-PEAK}}{25,000}$

\*\*A AND B REFER TO THE THROW POSITION OF THE SWITCH

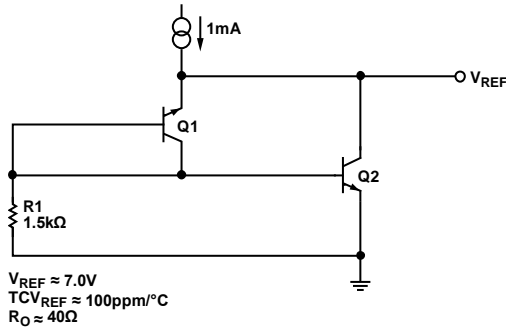
Figure 12. Noise Measurement Circuit

## APPLICATIONS INFORMATION

Application of reverse bias voltages to the emitter to base junctions in excess of ratings (5 V) may result in degradation of  $h_{FE}$  and  $h_{FE}$  matching characteristics. Check circuit designs to ensure that reverse bias voltages above 5 V cannot be applied during transient conditions, such as at circuit turn-on and turn-off.

Stray thermoelectric voltages generated by dissimilar metals at the contacts to the input terminals can prevent realization of the predicted drift performance. Maintain both input terminals at the same temperature, preferably close to the temperature of the device package.

TYPICAL APPLICATIONS

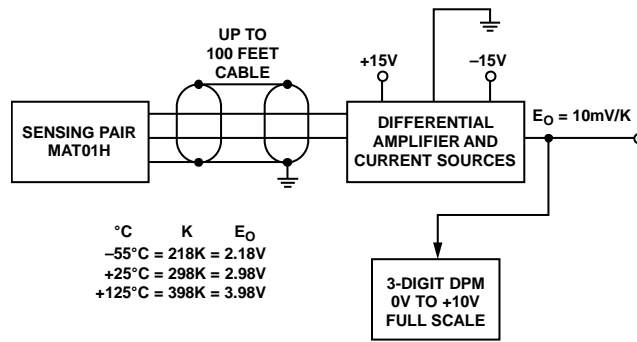


NOTES

1. R1 MAY BE ADJUSTED TO MINIMIZE  $TCV_{REF}$ . INCREASING R1 CAUSES A POSITIVE CHANGE IN  $TCV_{REF}$ .
2.  $h_{FE}$  OF Q1 IS REDUCED BY OPERATION OF BREAKDOWN MODE.

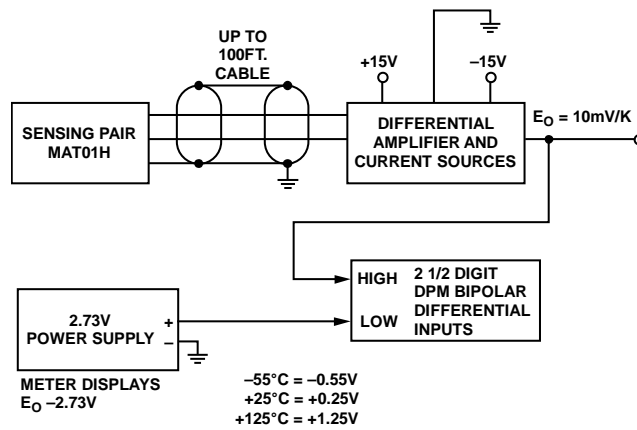
00282-013

Figure 13. Precision Reference



00282-014

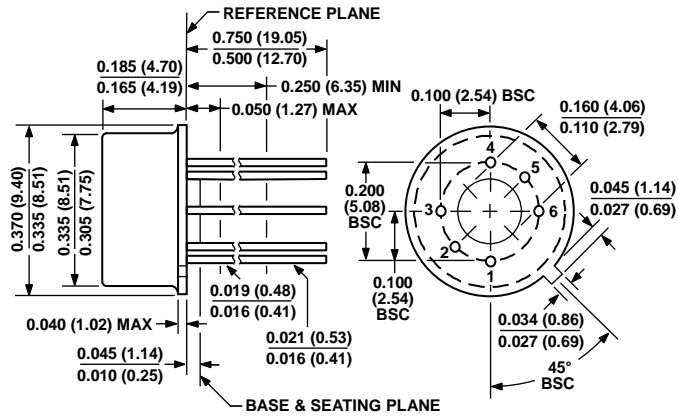
Figure 14. Basic Digital Thermometer Readout in Degrees Kelvin (K)



00282-015

Figure 15. Digital Thermometer with Readout in  $^{\circ}C$

# OUTLINE DIMENSIONS



CONTROLLING DIMENSIONS ARE IN INCHES; MILLIMETER DIMENSIONS (IN PARENTHESES) ARE ROUNDED-OFF INCH EQUIVALENTS FOR REFERENCE ONLY AND ARE NOT APPROPRIATE FOR USE IN DESIGN.

022306-A

Figure 16. 6-Pin Metal Header Package [TO-78] (H-06)

Dimensions shown in inches and (millimeters)

## ORDERING GUIDE

Model <sup>1</sup>	V <sub>OS</sub> Maximum (T <sub>A</sub> = 25°C)	Temperature Range	Package Description	Package Option
MAT01AH	0.1 mV	-55°C to +125°C	6-Pin Metal Header Package [TO-78]	H-06
MAT01AHZ	0.1 mV	-55°C to +125°C	6-Pin Metal Header Package [TO-78]	H-06
MAT01GH	0.5 mV	-55°C to +125°C	6-Pin Metal Header Package [TO-78]	H-06
MAT01GHZ	0.5 mV	-55°C to +125°C	6-Pin Metal Header Package [TO-78]	H-06

<sup>1</sup> Z = RoHS Compliant Part.

**NOTES**