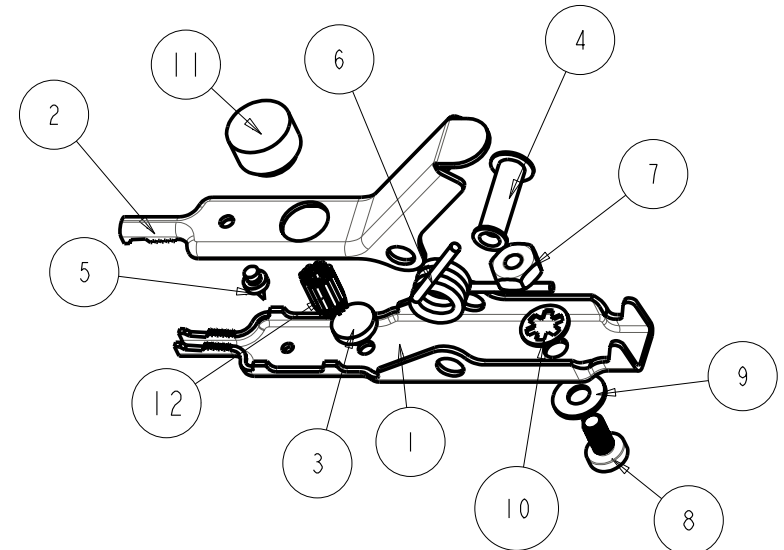
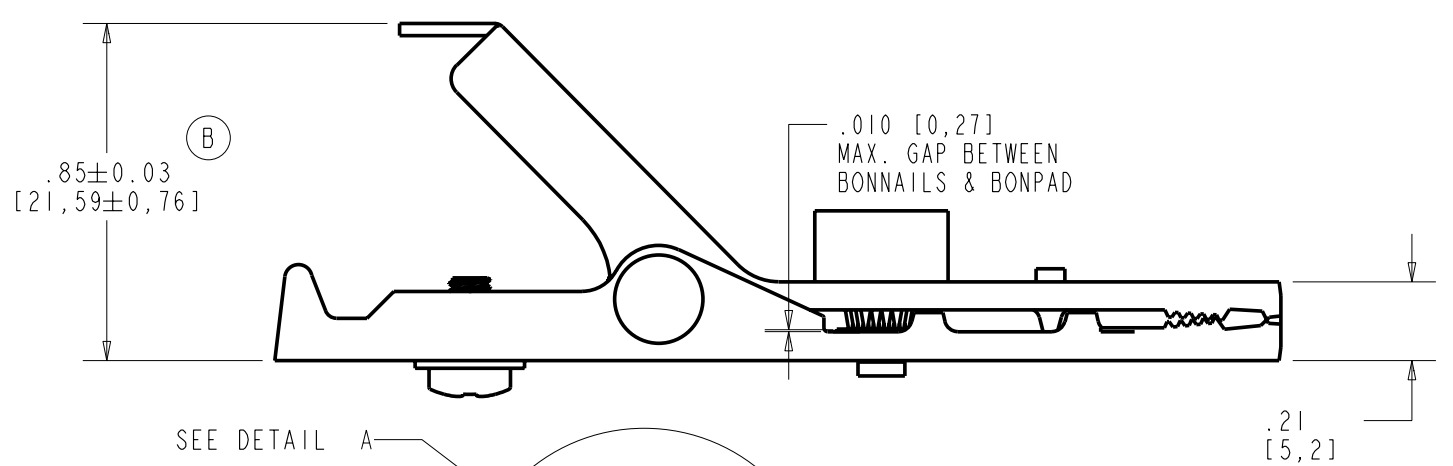
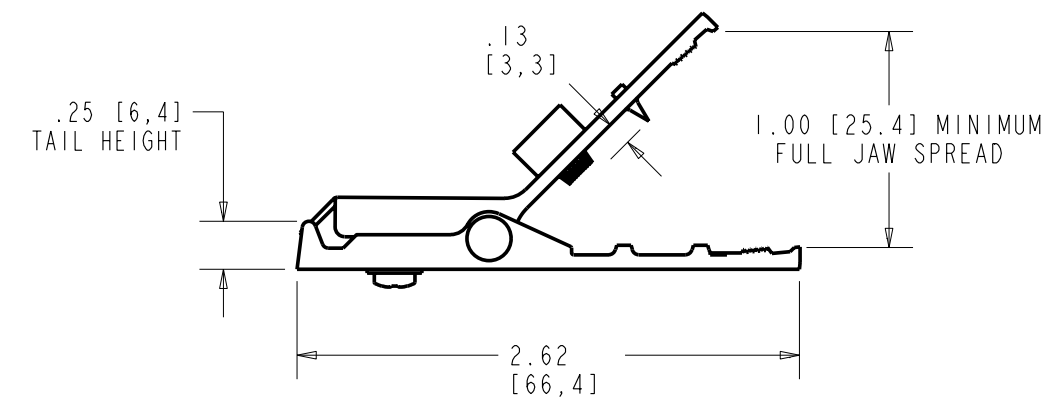
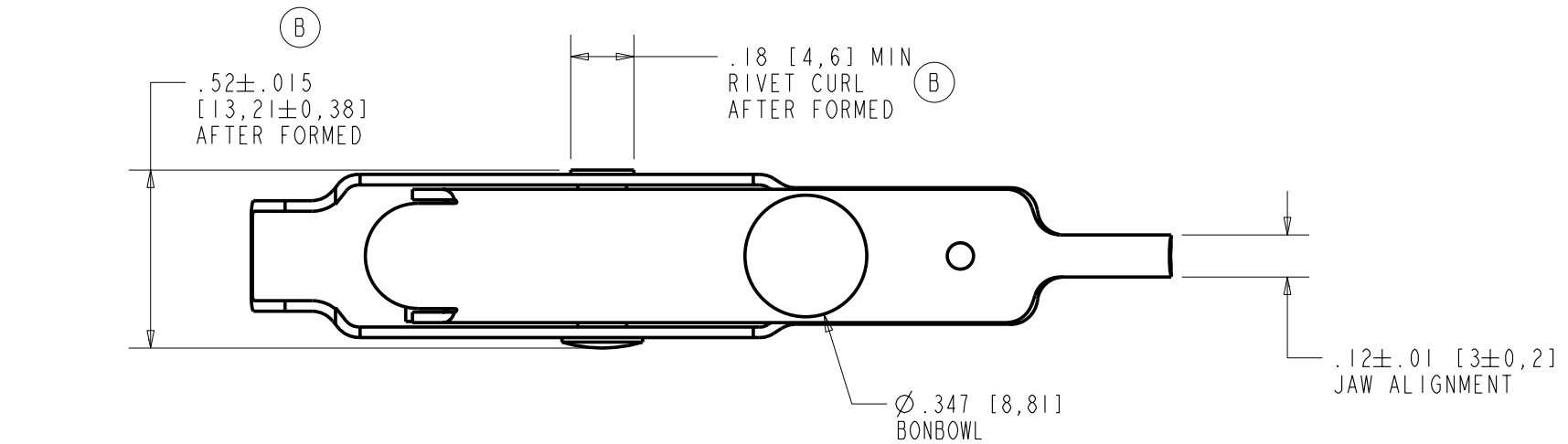


ID	PART NO	QTY	DESCRIPTION
1	JP-33674-33699_LF	1	33674 LONG FORM, NICKEL-SILVER
2	JP-33674_SF	1	JP-33674 SHORT FORM, NICKEL SILVER
3	JP-BONPAD	1	BED OF NAILS PAD, BRONZE
4	JP-RIVET_1	1	RIVET, STEEL, ZINC PLATED
5	JP-SPIKE_2	1	SPIKE, STEEL
6	JP-SPRING_1	1	SPRING, STEEL, BLACK ALUMINUM OXIDE COATED
7	JP_4-40_NUT	1	4-40 NUT, YELLOW BRASS
8	JP_4-40_SCREW	1	4-40 X .22" PHILLIPS HEAD SCREW, YELLOW BRASS
9	JP_PLN_WASHER	1	#4 PLANE WASHER, YELLOW BRASS
10	JP_STAR_WASHER	1	#4 INTERNAL TOOTH STARWASHER, BRONZE
11	JP-BONBOWL	1	BED OF NAILS PAD, BRONZE
12	JP-BONNAIL	33	NAIL, STEEL

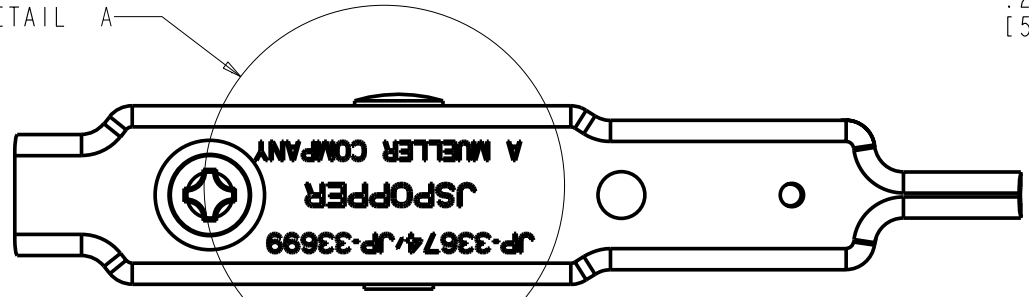
REV	ECN	DATE	DESCRIPTION
A	31441	10/08/04	RELEASE PRINT
B	34062	11/28/06	ADD "A MUELLER COMPANY" ON LONG FORM



- NOTES:
- DIMENSIONAL FORMAT: INCHES [MILLIMETERS]
 - SPRING FORCE IS TESTED PER FED SPEC WC440B AT HALF JAW SPREAD 8.0 LBS [3.63 kg] MIN. AND 11.0 MAX. @ .5" [12.7] (B)
 - MATERIAL: NICKEL-SILVER ALLOY C762
 - THICKNESS: .032±.002 [0,81±0,05]
 - TEST AND INSPECT TO AI-000311-C



DETAIL A
SCALE 4.000



THIS DRAWING AND THE INFORMATION THERE IN IS THE PROPERTY OF THE MUELLER ELECTRIC COMPANY AND MAY BE USED SOLELY FOR THE PROPOSE FOR WHICH IT IS SUBMITTED. IT IS TO BE TREATED IN CONFIDENCE. IT MAY NOT BE CIRCULATED, REPRODUCED OR DIVULGE TO OTHER PARTIES WITHOUT WRITTEN CONSENT OF MUELLER ELECTRIC INC. IT MUST BE RETURNED UPON REQUEST.

VENDOR BLOCK		MUELLER		MUELLER ELECTRIC CO.	
THE VENDOR LISTED BELOW AGREES TO PROVIDE MUELLER ELECTRIC INC. WITH THE AGREED PRODUCT TO THE SPECIFICATIONS OF THIS PRINT. NO CHANGES WILL BE MADE WITHOUT THE APPROVAL OF MUELLER ELECTRIC INC.		SCALE: 1.000	DWG SIZE: B	APPROVED BY:	DRAWN BY: CDT
COMPANY:	REP:	DWG DATE: 08-Oct-04	REV DATE: 11/28/06	EDITED BY: BILLXIE	FILE: JP-33674
TITLE:	DATE:	PART NUMBER: JP-33674	DESCRIPTION: TEST CLIP W/HRDWRE, BON & SPIKE	DRAWING NUMBER: JP-33674	REV: B SHEET NO: 1/1