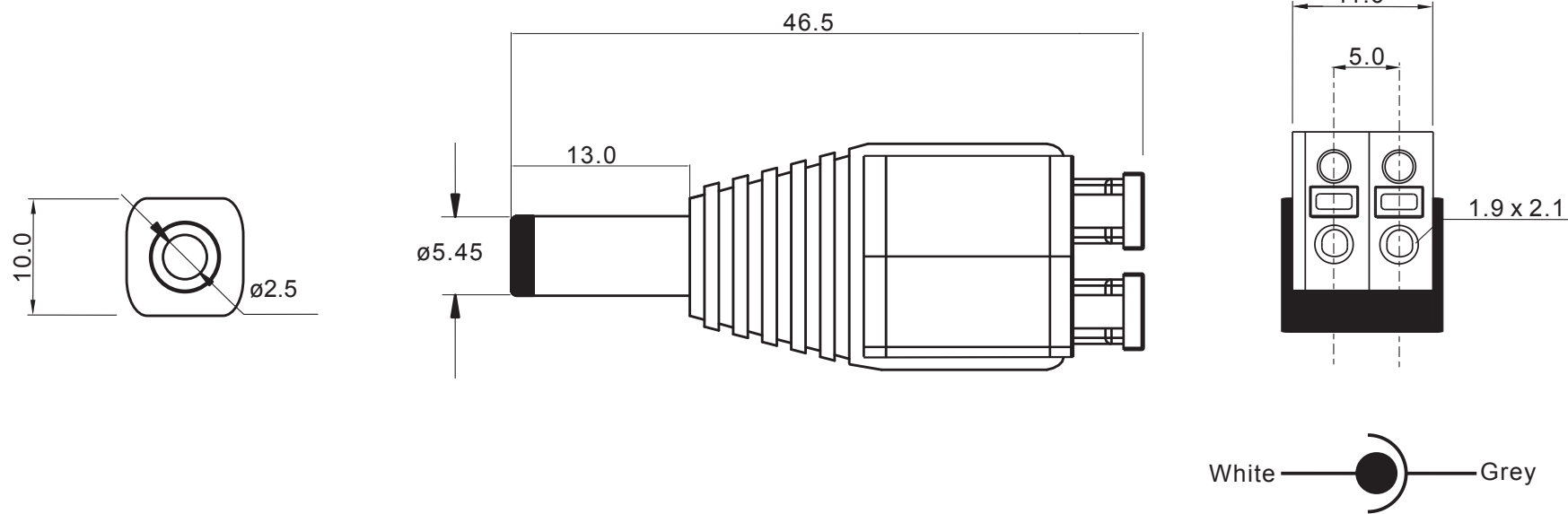


SIGN	DESCRIPTION	DATE	APPROVER
△	---		
△			



Technical Data:

Electrical:

- Voltage rating: 12VDC
- Current rating: 5A
- Contact resistance: 20mΩ
- Insulation resistance: 5000MΩ / 1000V
- Wire range: 22-16AWG

Mechanical:

- Torque: 0.5Nm (4.4lb/in)
- Operating temperature: -40°C to 105°C
- Strip length: 8-9mm



Concept
Design
Manufacture

CIE-Group Ltd 3 Widdowson Close Blenheim Ind Est
Bulwell Nottingham NG6 8WB England
T: +44(0)115 9770075 F: +44(0)115 9770081
E: info@cie-group.com W: www.cie-group.com

TOLERANCE	APPROVED: RIKKI	NAME:
X ±0.50	CHECKED: CAMILY	2.5 Male DC Plug Quick Terminal Adapter
.X ±0.30	DRAWN: SHERMAN	
X.XX ±0.20	UNIT: mm	REV.: A
X° ±1°	SCALE: 4/1	PAGE: 1/1
		PART NO: CLB-JL-8113
		DWG NO.: