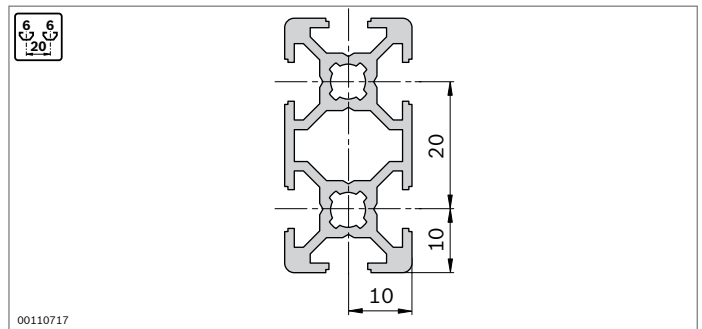
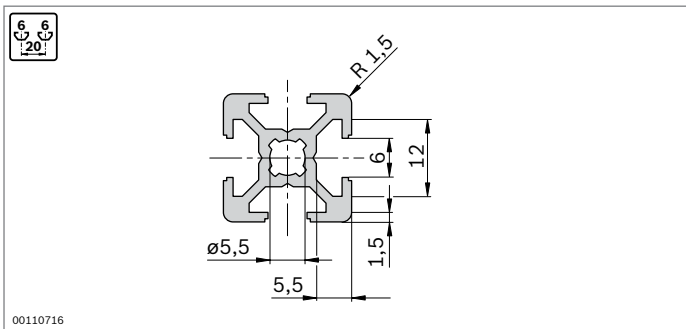


Strut profiles with 6 mm slot

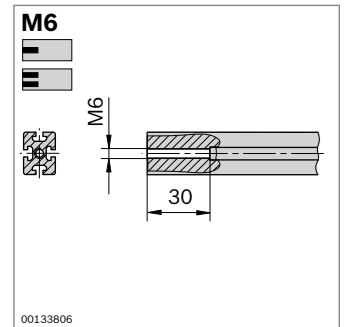
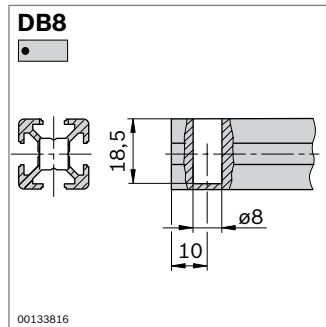
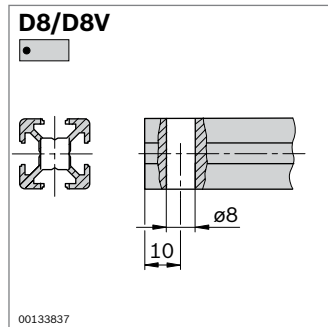
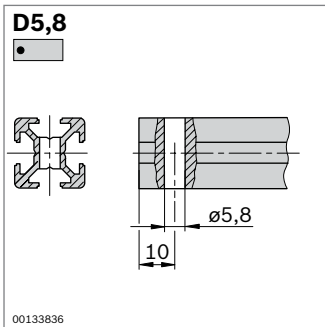
Strut profiles with 6 mm slot for light structures, such as supports and lab fixtures.

The 20x40 and 20x60 profiles are especially suitable for reinforcing; the 20x40x40 profile is suitable for constructing showcases, flow racks, and enclosures.

Slot, modular dimensions, central bore



Profile finishing

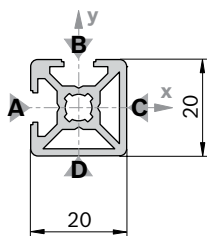


Minimum profile lengths (mm) for Quick & Easy standard profile finishing on one or both sides

	-	M6	D5.8	D8/DB8
-	50	50	50	50
M6	50	70	50	70
D5.8	50	50	50	50
D8/DB8	50	70	50	50

20x20 2NVS

A = 1,8 cm²
 I_x = 0,7 cm⁴
 I_y = 0,7 cm⁴
 W_x = 0,7 cm³
 W_y = 0,7 cm³
 m = 0,5 kg/m



19171

Cover cap: See 20x20

20x20 2NVS		L (mm)	No.
1 pcs		50 ... 3000	3 842 992 924 / L
20 pcs		3000	3 842 519 658

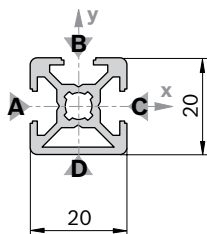
Quick & Easy (p. 2-8, see fold-out section)

20x20 2NVS		3 842 993 692 / ...
Length L (mm)		50 ... 3000
Standard profile finishing (note minimum length, p. 2-11)		M6 / D5.8 / D8 / DB8
Customized profile finishing (L _{max} = 2300 mm)		DI / DIS / MT / MTS / MI / MIS / DG ¹⁾

¹⁾ DG_{max} = 45°; L_{min1} / L_{min2} = 335 / 370 mm

20x20 3N

A = 1,7 cm²
 I_x = 0,7 cm⁴
 I_y = 0,8 cm⁴
 W_x = 0,7 cm³
 W_y = 0,7 cm³
 m = 0,5 kg/m



19172

Cover cap: See 20x20

20x20 3N		L (mm)	No.
1 pcs		50 ... 3000	3 842 992 889 / L
20 pcs		3000	3 842 517 180

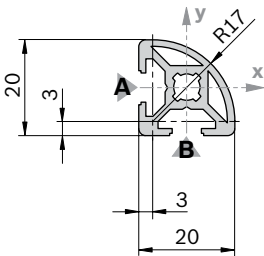
Quick & Easy (p. 2-8, see fold-out section)

20x20 3N		3 842 993 693 / ...
Length L (mm)		50 ... 3000
Standard profile finishing (note minimum length, p. 2-11)		M6 / D5.8 / D8 / DB8
Customized profile finishing (L _{max} = 2300 mm)		DI / DIS / MT / MTS / MI / MIS / DG ¹⁾

¹⁾ DG_{max} = 45°; L_{min1} / L_{min2} = 335 / 370 mm

20x20 R

A = 1,6 cm²
 I_x = 0,6 cm⁴
 I_y = 0,6 cm⁴
 W_x = 0,5 cm³
 W_y = 0,5 cm³
 m = 0,4 kg/m



19173

Cover cap	Color	ESD		No.
20x20 R (1x)	Signal gray		20	3 842 548 826
20x20 R (1x)	Black		20	3 842 548 827

Material: PP

20x20 R		L (mm)	No.
1 pcs		50 ... 3000	3 842 992 890 / L
20 pcs		3000	3 842 517 183

Quick & Easy (p. 2-8, see fold-out section)

20x20 R		3 842 993 695 / ...
Length L (mm)		50 ... 3000
Standard profile finishing (note minimum length, p. 2-11)		M6
Customized profile finishing (L _{max} = 2300 mm)		—