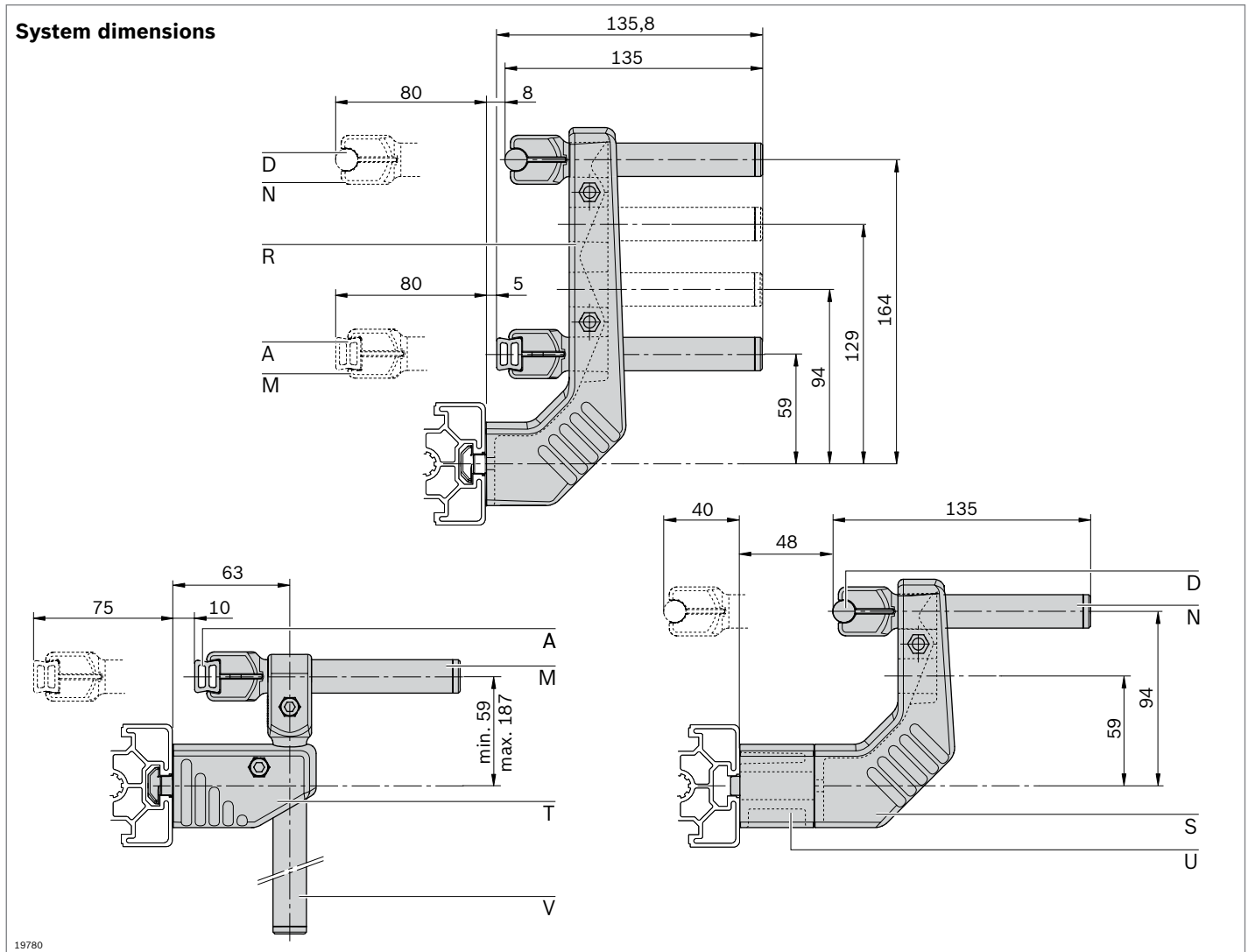


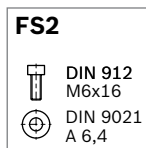
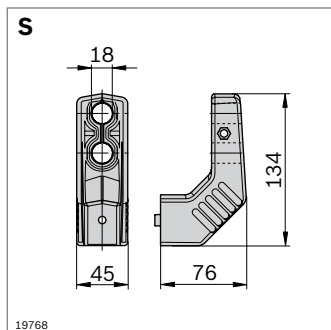
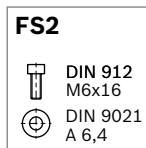
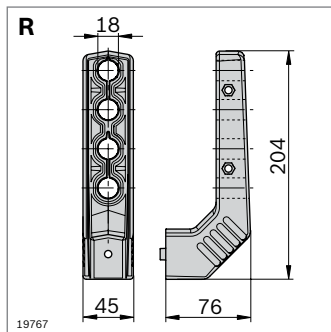
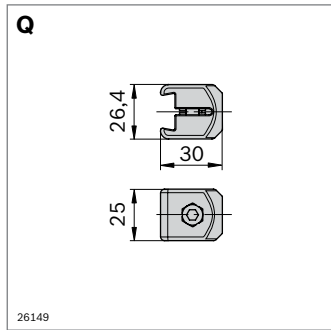
Holder for lateral guide, flexible



- ▶ Holders and clamping holders make variable adjustment of the guide height and width possible
- ▶ Easy to clean

Note: For stability in the direction of rotation, at least 2 holders must be connected with a continuous profile rail.





- ▶ Clamping holder C for supporting aluminum **(A)**, HDPE **(B)** or 17x17.5 **(C)** profile rails
- ▶ In conjunction with tube D18 **(W)** for constructing longer clamping holders

Clamping holder C		No.
N	10	3 842 547 228
Material:	Clamping holder: PA; black Nut, bolt: Steel; stainless	
Accessories:	Plug (Z) , tube D18 (W)	

- ▶ Holder for fastening clamping holders C L100 **(M)** or D12 L100 **(N)**
- ▶ Various installation heights possible for clamping holders
- ▶ Variable guide widths possible
- ▶ Spacer **(U)** for added enlargement of guide width
- ▶ Optional accessories: Clamping lever M6x40 (p. 4-11)

Holder L204	No.	FS
Set	3 842 539 494	FS2
Material:	PA, black Fastening material: Steel; stainless	
Scope of delivery:	incl. fastening material (FS)	
Accessories:	T-nut M6, 10 mm slot (p. 3-4) Spacer (U)	

- ▶ Holder for fastening clamping holders C L100 **(M)** or D12 L100 **(N)**
- ▶ Various installation heights possible for clamping holders
- ▶ Variable guide widths possible
- ▶ Spacer **(U)** for added enlargement of guide width
- ▶ Optional accessories: Clamping lever M6x40 (p. 4-11)

Holder L134	No.	FS
Set	3 842 539 495	FS2
Material:	PA; black Fastening material: Steel; stainless	
Scope of delivery:	incl. fastening material (FS)	
Accessories:	T-nut M6, 10 mm slot (p. 3-4) Spacer (U)	