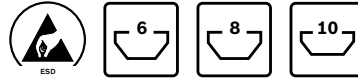
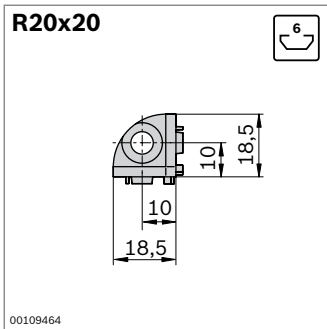


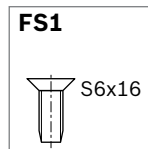
Corner bracket



- ▶ Corner bracket for corner connection of 3 square or half-round profiles with equal cross-sections
- ▶ Screw fastening on profile with self-tapping screws
- ▶ Spherical or cubic cover caps to provide protection from injury and to prevent soiling
- ▶ Profile finishing: not required



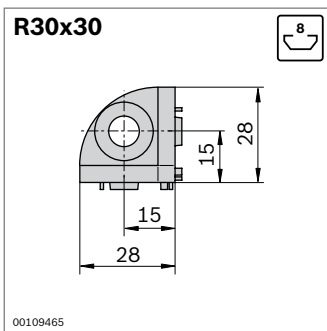
Type	
20/3	23 Nm



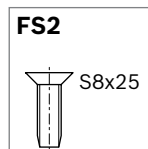
R20x20	Slot	ESD		No.	FS
Corner bracket	6		1	3 842 519 318	3xFS1
Cover cap K (ball)	signal gray (PP)		10	3 842 548 708	
	black (PP)		10	3 842 548 712	
Cover cap W (cube)	signal gray (PP)		10	3 842 548 716	
	black (PP)		10	3 842 548 720	

Material: Corner bracket: diecast zinc
Fastening material: steel; galvanized

Scope of delivery: incl. fastening material (FS)



Type	
30/3	85 Nm



R30x30	Slot	ESD		No.	FS
Corner bracket	8		1	3 842 519 319	3xFS2
Cover cap K (ball)	signal gray (PP)		10	3 842 548 709	
	black (PP)		10	3 842 548 713	
Cover cap W (cube)	signal gray (PP)		10	3 842 548 717	
	black (PP)		10	3 842 548 721	

Material: Corner bracket: diecast zinc
Fastening material: steel; galvanized

Scope of delivery: incl. fastening material (FS)