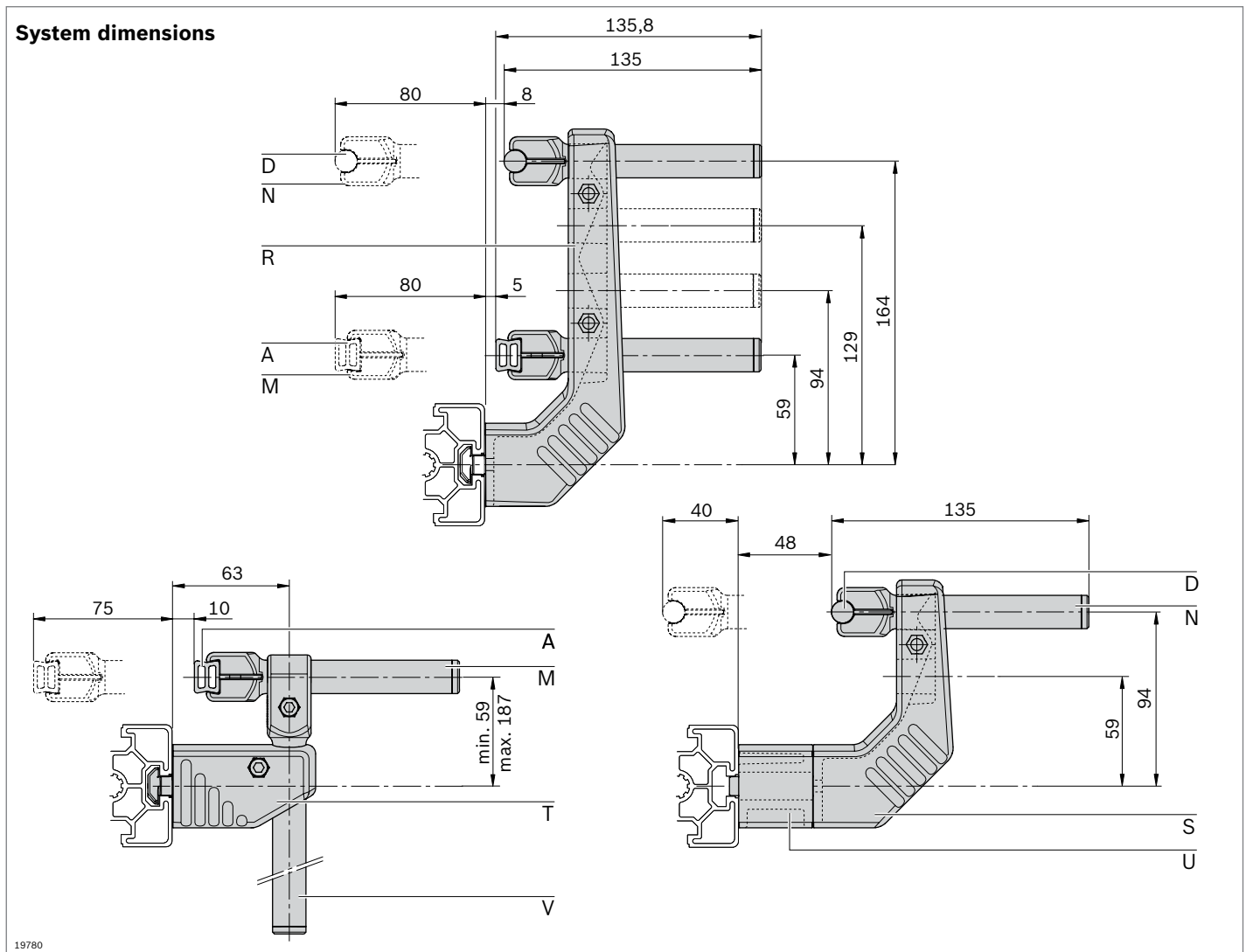


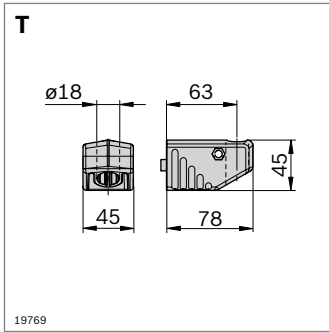
Holder for lateral guide, flexible




- ▶ Holders and clamping holders make variable adjustment of the guide height and width possible
- ▶ Easy to clean


Note: For stability in the direction of rotation, at least 2 holders must be connected with a continuous profile rail.






FS2

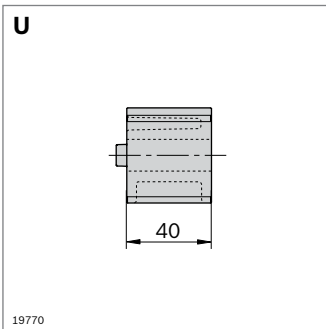
 DIN 912
M6x16

 DIN 9021
A 6,4


- ▶ Holder L45 for fastening vertical clamping holders or tube D18 (**W**)
- ▶ For infinitely height-adjustable lateral guides
- ▶ Spacer (**U**) for enlargement of guide width
- ▶ Optional accessories: Clamping lever M6x40 (p. 4-11)


Holder L45		No.	FS
Set	10	3 842 539 496	FS2


Material: PA; black
Fastening material: Steel; stainless
Scope of delivery: incl. fastening material (FS)
Accessories: T-nut M6, 10 mm slot (p. 3-4)
Spacer (**U**)



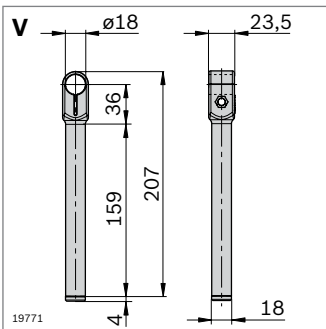
FS3

 DIN 912
M6x55


 DIN 9021
-A6,4

Spacer		No.	FS
Set	10	3 842 539 497	FS3

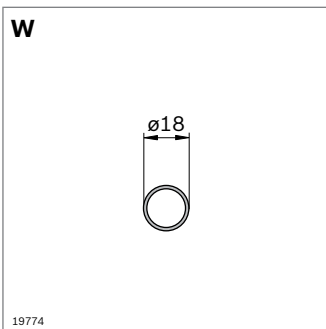
Material: PA; black
Fastening material: Steel; stainless
Scope of delivery: incl. fastening material (FS)



- ▶ Vertical clamping head for constructing height-adjustable guides
- ▶ Optional accessories: Clamping lever M6x40 (p. 4-11)

Vertical clamping holder D18 L160		No.
	10	3 842 539 500

Material: PA; black
Nut, screw: Steel; stainless
Accessories: Plug (**Z**)



- ▶ Tube D18 for the construction of height-adjustable vertical holders or cross members for upper guides

Tube D18	L (mm)	No.
	3000	3 842 539 339

Material: Stainless steel
Accessories: Plug (**Z**)