

CPC PLG ASSY,IND ETHERNET,SHLD,SLD WR

✓ ACTIVE

Industrial RJ45 CPC

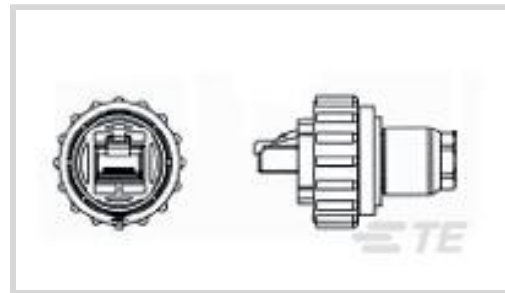
TE Part # 1546907-1

TE Internal #: 1546907-1

[View on TE.com >](#)



Connectors > Modular Jacks & Plugs > Circular RJ45 Connectors



Modular Jacks & Plugs Products: **RJ Type Jacks & Plugs**

Connector Contact Density: **Standard**

Modular Connector Style: **Plug**

Shielded: **Yes**

Performance Category: **Cat 5e**

Features

Product Type Features

Connectors & Connector Components Type	Connector
Modular Jacks & Plugs Products	RJ Type Jacks & Plugs
Modular Connector Style	Plug
Connector & Contact Terminates To	Wire & Cable
Wire Type	Solid

Configuration Features

Connector Contact Density	Standard
---------------------------	----------

Usage Conditions

Operating Temperature Range	-55 – 105 °C[-67 – 221 °F]
-----------------------------	----------------------------

Operation/Application

Shielded	Yes
----------	-----

Industry Standards

UL Flammability Rating	UL 94V-0
Performance Category	Cat 5e

Packaging Features

Packaging Method	Bag
Packaging Quantity	1



Product Compliance

[For compliance documentation, visit the product page on TE.com>](#)

EU RoHS Directive 2011/65/EU	Compliant
EU ELV Directive 2000/53/EC	Compliant
China RoHS 2 Directive MIIT Order No 32, 2016	No Restricted Materials Above Threshold
EU REACH Regulation (EC) No. 1907/2006	Current ECHA Candidate List: JAN 2019 (197) Candidate List Declared Against: JUN 2016 (169)
Halogen Content	Not Yet Reviewed for halogen content
Solder Process Capability	Not applicable for solder process capability

Product Compliance Disclaimer

This information is provided based on reasonable inquiry of our suppliers and represents our current actual knowledge based on the information they provided. This information is subject to change. The part numbers that TE has identified as EU RoHS compliant have a maximum concentration of 0.1% by weight in homogenous materials for lead, hexavalent chromium, mercury, PBB, PBDE, DBP, BBP, DEHP, DIBP, and 0.01% for cadmium, or qualify for an exemption to these limits as defined in the Annexes of Directive 2011/65/EU (RoHS2). Finished electrical and electronic equipment products will be CE marked as required by Directive 2011/65/EU. Components may not be CE marked. Additionally, the part numbers that TE has identified as EU ELV compliant have a maximum concentration of 0.1% by weight in homogenous materials for lead, hexavalent chromium, and mercury, and 0.01% for cadmium, or qualify for an exemption to these limits as defined in the Annexes of Directive 2000/53/EC (ELV). Regarding the REACH Regulations, TE's information on SVHC in articles for this part number is still based on the European Chemical Agency (ECHA) 'Guidance on requirements for substances in articles' (Version: 2, April 2011), applying the 0.1% weight on weight concentration threshold at the finished product level. TE is aware of the European Court of Justice ruling of September 10th, 2015 also known as O5A (Once An Article Always An Article) stating that, in case of 'complex object', the threshold for a SVHC must be applied to both the product as a whole and simultaneously to each of the articles forming part of its composition. TE has evaluated this ruling based on the new ECHA "Guidance on requirements for substances in articles" (June 2017, version 4.0) and will be updating its statements accordingly.

Also in the Series | Industrial RJ45 CPC



[Circular RJ45 Connectors\(6\)](#)

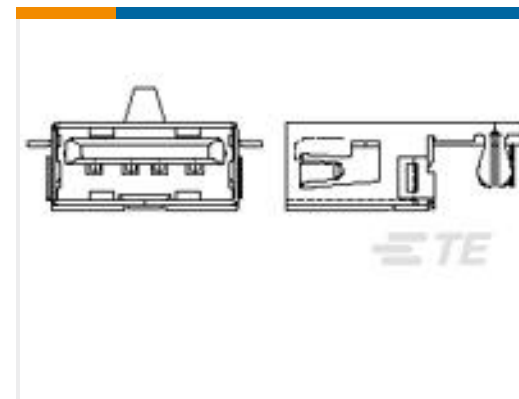
Customers Also Bought



TE Part #1828618-1
KIT,PLUG,LC,ODVA,MM



TE Part #828347-2
HD VERSCHRAUBUNG



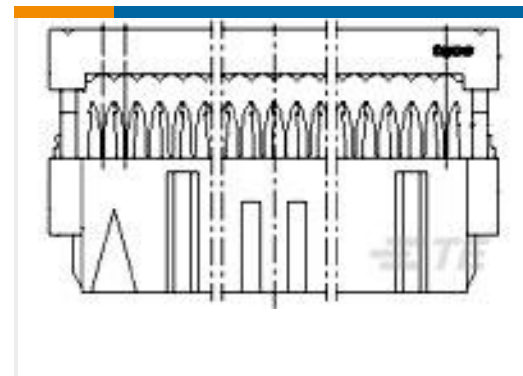
TE Part #1746311-1
Std USB Type A, R/A, T/H



TE Part #1546877-1
CPC RCP ASSY,IND ETHERNET,UNSH



TE Part #1546908-1
CPC RCP ASSY,IND ETHERNET,SHLD



TE Part #1-215919-6
AMP-LATCH 15.2 HIGH TAPE



TE Part #1217107-1
FASTON 250 REC-TAB PTPPBR



TE Part #1513381-1
UAM - UWB antenna assembly



TE Part #1986172-1
PASSTHROUGH SHIELDED RECPT ASSY

Documents

Product Drawings

CPC PLG ASSY,IND ETHERNET,SHLD,SLD WR

English

CAD Files

3D PDF

3D

Customer View Model

[ENG_CVM_CVM_1546907-1_F.2d_dxf.zip](#)

English

Customer View Model

[ENG_CVM_CVM_1546907-1_F.3d_igs.zip](#)

English

Customer View Model

[ENG_CVM_CVM_1546907-1_F.3d_stp.zip](#)

English

Datasheets & Catalog Pages

[INDUSTRIAL_ETHERNET_PRODUCTS](#)



English

[Circular Plastic Connectors Series 45 Ethernet](#)

English

Product Specifications

[Application Specification](#)

English

Instruction Sheets

[Instruction Sheet \(U.S.\)](#)

English