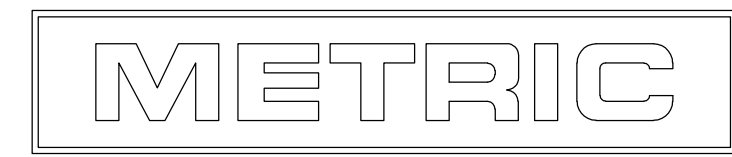
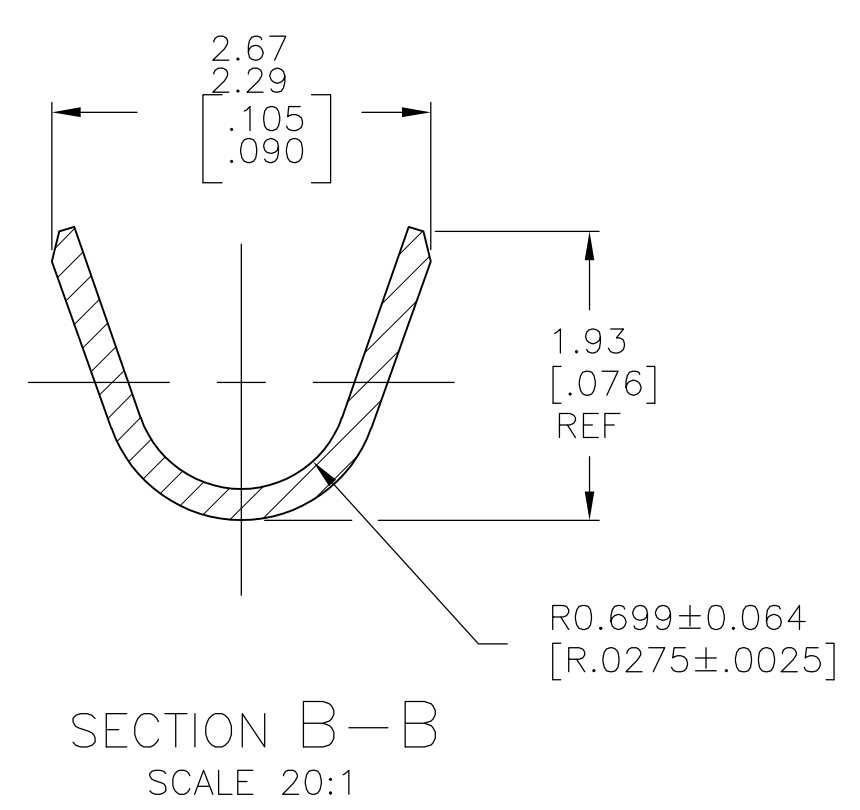
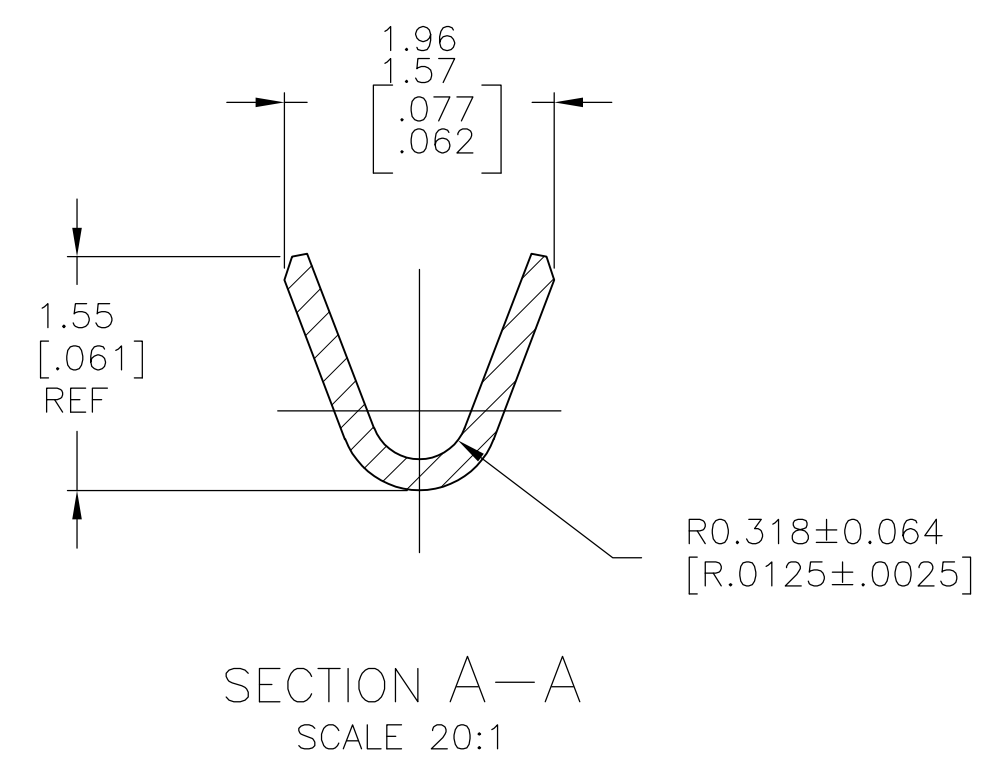
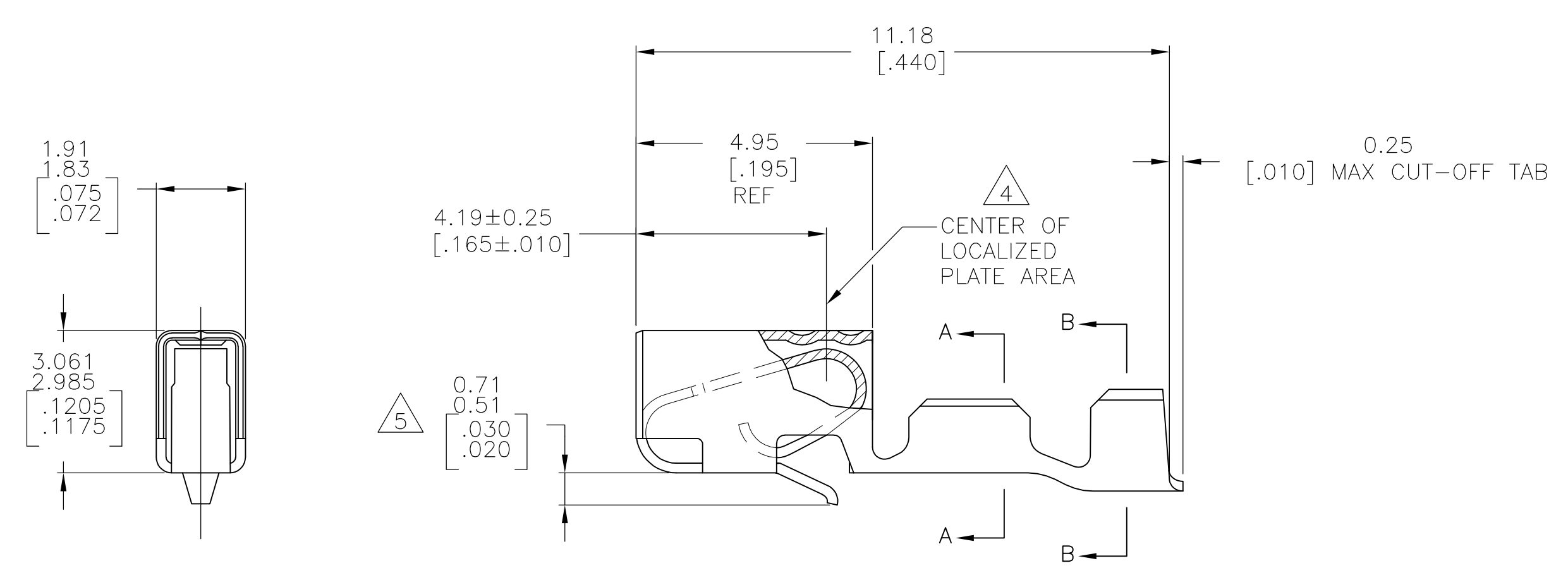


1. WIRE RANGE 0.13-0.35 mm<sup>2</sup> (26-22 AWG).
  2. INSULATION RANGE: 0.89-1.65 [.035-.065] DIA LARGER SIZES OF 0.68-1.91 [.066-.075] DIA INSULATION REQUIRE WIRE AND CRIMP EVALUATION FROM AMP INCORPATED.
  3. DIMENSIONS IN BRACKETS ARE IN INCHES.
- △ 4 0.00076 [.000030] MIN THK GOLD STRIPES IN LOCALIZED PLATE AREA ON BEAM AND DIMPLE OVER 0.00127 [.000050] MIN THK NICKEL OVER ENTIRE CONTACT  
-OR-  
OR GOLD FLASH OVER PALLADIUM-NICKEL STRIPES, .00076 [.000030] MIN THK TOTAL IN LOCALIZED PLATE AREA ON BEAM AND DIMPLE OVER .00127 [.000050] MIN NICKEL OVER ENTIRE CONTACT.
- △ 5 AFTER PACKAGING AND SHIPMENT, A LANCE HEIGHT 0.46-0.71 [.018-.030] IS PERMISSABLE.



△	770666-2
PRE-TIN	770666-1
FINISH	PART NO.

THIS DRAWING IS A CONTROLLED DOCUMENT.		DIN T. BECK 01MAR91		TE Connectivity	
DIMENSIONS: mm [INCHES]		CHK R. SWING 01MAR91		NAME	
TOLERANCES UNLESS OTHERWISE SPECIFIED:		APP'D D. CLARK 05MAR91		RECEPTACLE, CST-100, LOOSE PIECE	
0 PLC ± -		PRODUCT SPEC		APPLICATION SPEC	
1 PLC ± -		SIZE		CAGE CODE	
2 PLC ± -		A1		DRAWING NO	
3 PLC ± 0.13 [.005]		WEIGHT		770666	
4 PLC ± -		CUSTOMER DRAWING		SCALE 10:1	
ANGLES ± -		SHEET 1 OF 1		REV J1	
MATERIAL 0.19B [.0078] PH BRZ		FINISH SEE TABLE		RESTRICTED TO	