

THIS DRAWING IS UNPUBLISHED. RELEASED FOR PUBLICATION
 © COPYRIGHT - BY TYCO ELECTRONICS CORPORATION, ALL RIGHTS RESERVED.

LOC	DIST	REVISIONS					
		P	LTR	DESCRIPTION	DATE	DWN	APVD
-	-	A		RELEASED	13NOV2007	S.I	I.H
-	-	AI		REVISED	30MAY2008	S.I	I.H

D

C

B

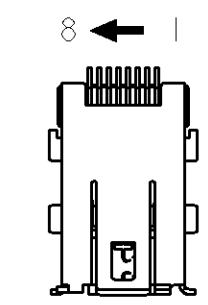
A

D

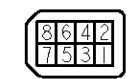
C

B

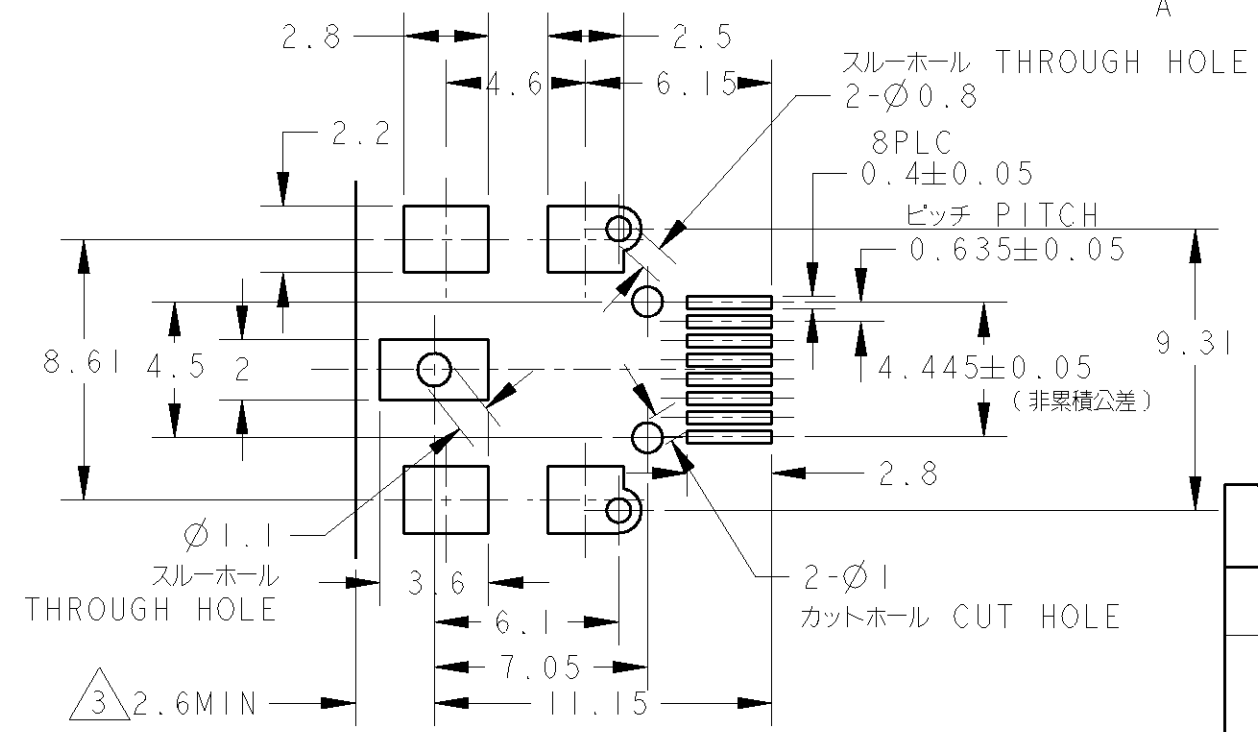
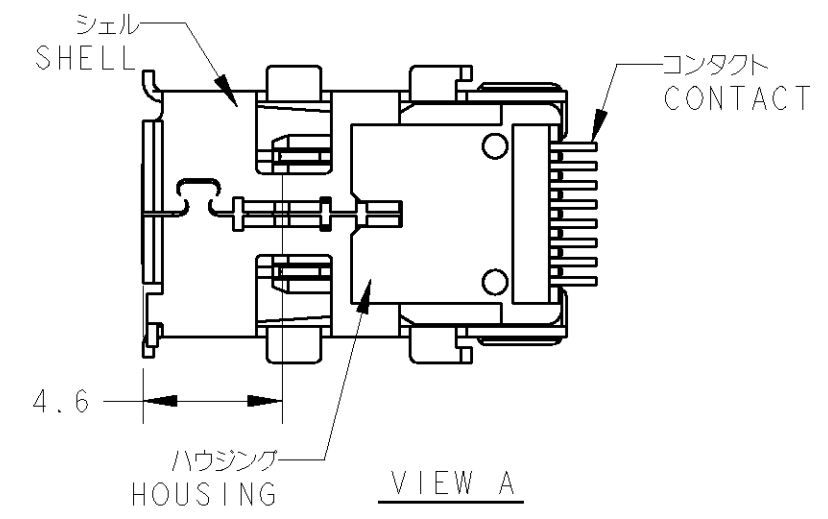
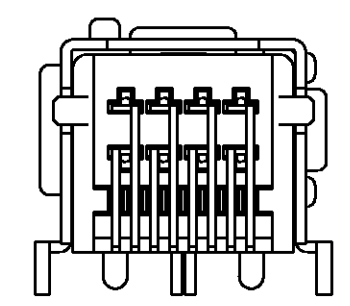
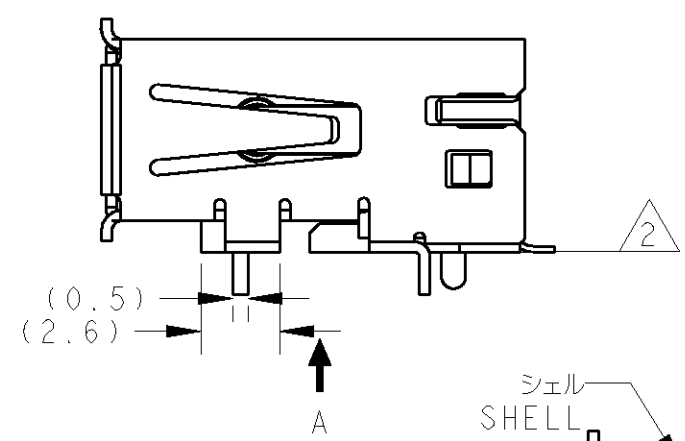
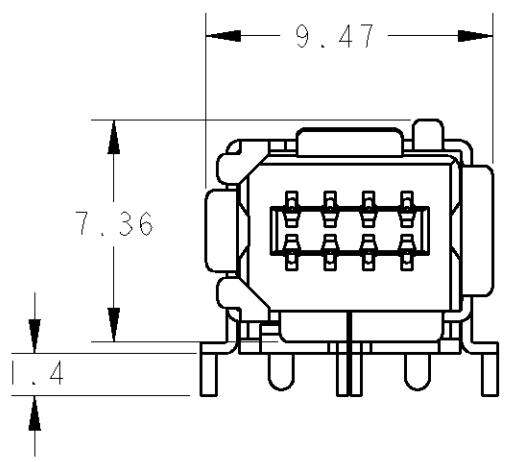
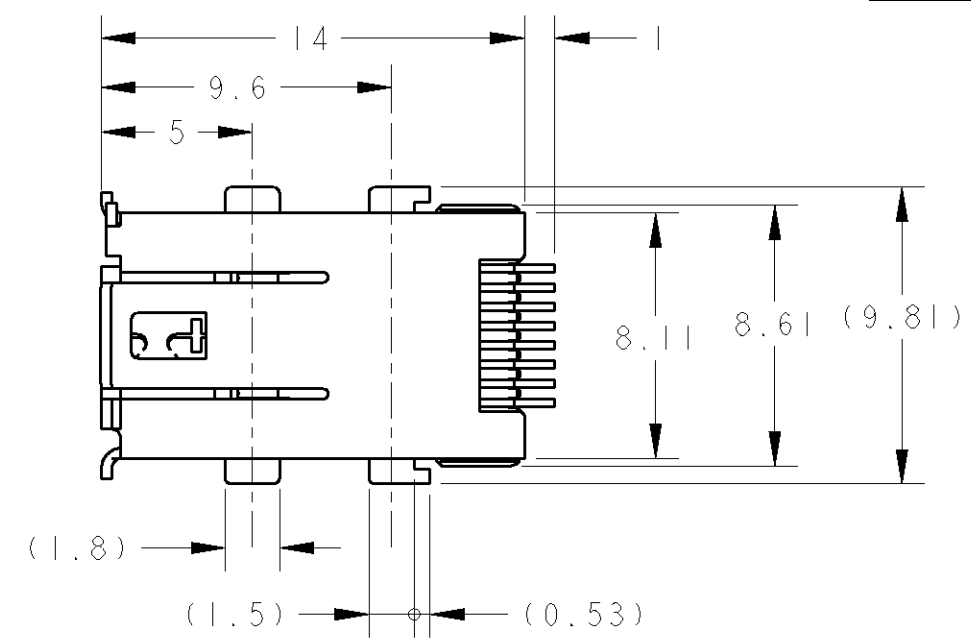
A



D-SHAPE TYPE I



回路番号
CIRCUIT NO.



推奨基板寸法 (実装面側) ±1.6
 RECOMMENDED BOARD DIMENSION
 (CONNECTOR SIDE) ±1.6

注記
 ① 材料及び仕上げ
 コンタクト
 材料: 銅合金
 全面Ni 下地めっき 1.27μmMIN
 接点部: Auめっき 0.5μmMIN
 半田付け部: Auフラッシュめっき
 ハウジング
 材料: 熱可塑性樹脂
 難燃性 UL 94V-0
 シェル
 材料: 銅合金
 全面Ni 下地めっき
 全面Snめっき

② SMTリード先端部の平坦度(コプラナリティー): 0.1MAX
 ③ 顧客決定寸法

NOTE
 ① MATERIAL AND FINISH
 CONTACT
 COPPER ALLOY
 UNDER ALL SURFACE Ni 1.27μm MIN
 TOP CONTACT AREA Au 0.5μm MIN
 SOLDERING AREA Au FLASH
 HOUSING
 THERMO PLASTIC(UL94V-0)
 SHELL
 COPPER ALLOY
 UNDER ALL SURFACE Ni
 TOP ALL SURFACE Sn

② COPLANARITY 0.1 MAX(TOP OF LEAD)
 ③ DIMENSION DECIDED BY CUSTOMER.

TRAY (SEE SHEET 2 OF 2)		1981080-1	
PACKAGING STYLE		PART NO.	
tyco Electronics		Tyco Electronics AMP K.K. Kawasaki, Japan	
NAME 名称		INDUSTRIAL MINI I/O CONN. 1.27MM PITCH 8P HDR ASSY D-SHAPE TYPE I	
SIZE	CAGE CODE	DRAWING NO 番号	RESTRICTED TO
A3	-	1981080	-
CUSTOMER DRAWING		SCALE 尺度	SHEET 1 OF 2
		REV	AI

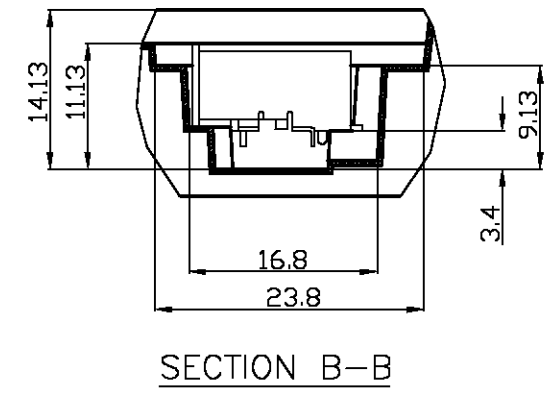
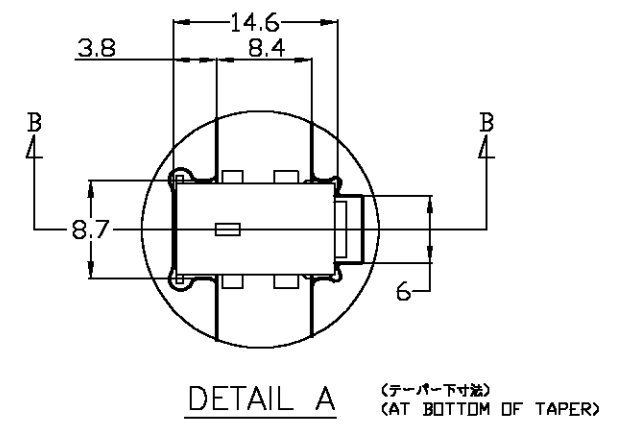
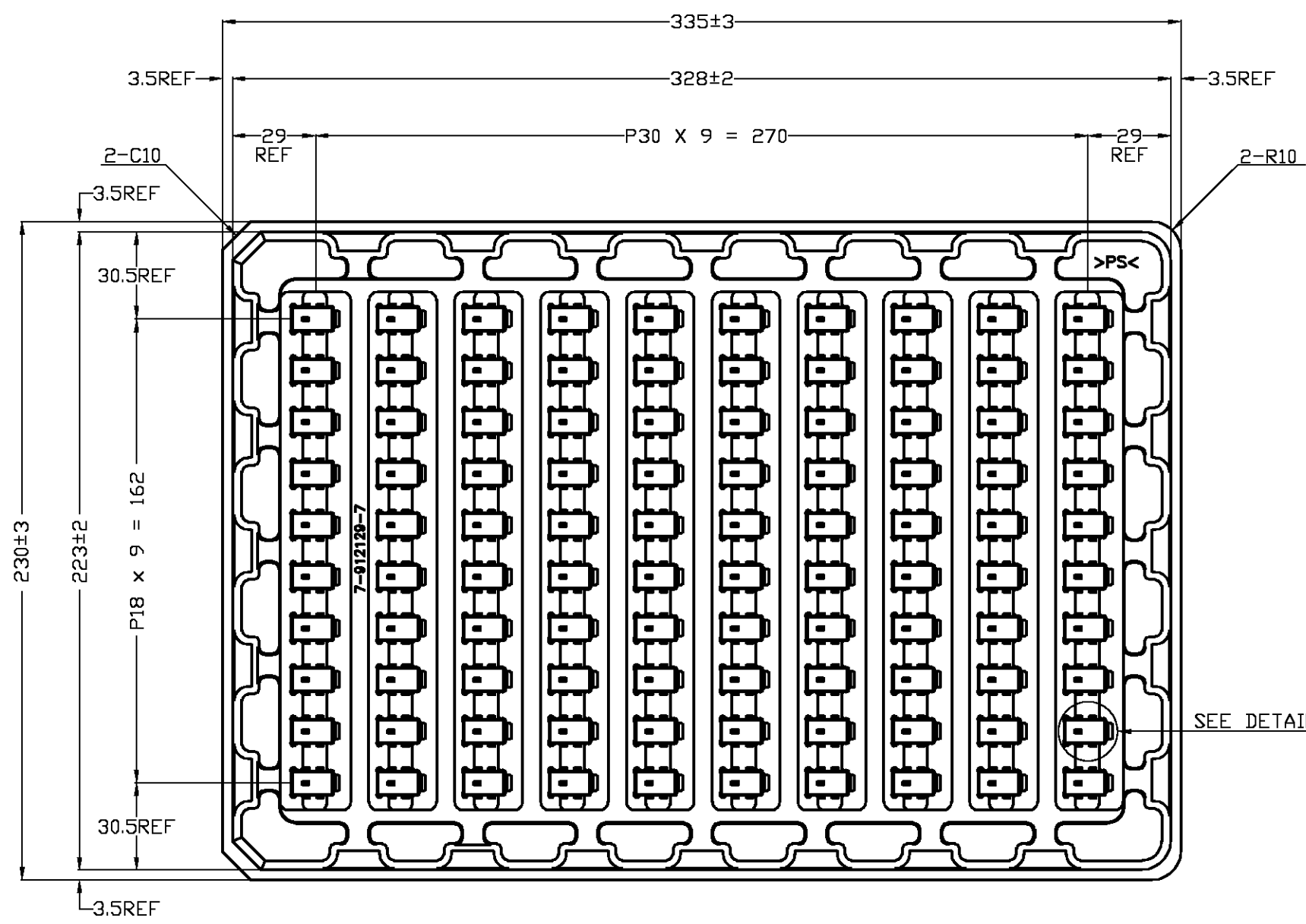
DIMENSIONS: 単位: 概 mm		TOLERANCES UNLESS OTHERWISE SPECIFIED:	
一般公差 ±0.2		0 PLC ±	
1 PLC ±		2 PLC ±	
3 PLC ±		4 PLC ±	
ANGLES ±			
MATERIAL 材料	FINISH 仕上		
①	①		

DWN	S. INOMATA	13NOV2007
CHK	I. HASAGAWA	13NOV2007
APVD	I. HASAGAWA	13NOV2007
PRODUCT SPEC	108-78405	
APPLICATION SPEC	取付適用規格	
WEIGHT	-	

THIS DRAWING IS UNPUBLISHED. RELEASED FOR PUBLICATION
 © COPYRIGHT BY TYCO ELECTRONICS CORPORATION. ALL RIGHTS RESERVED.

LOC	DIST	REVISIONS					
		P	LTR	DESCRIPTION	DATE	DWN	APVD
-	-	-	-	SEE SHEET 1	-	-	-

-1: 本図
1-: AS SHOWN



注記
 △トレー材質: ポリスチレン
 5 製品入り数: 100 / 1トレー

NOTE
 △TRAY MATERIAL: POLYSTYRENE
 5 PRODUCT QUANTITY: 100 / 1TRAY

THIS DRAWING IS A CONTROLLED DOCUMENT.		DWN SEE SHEET 1	Tyco Electronics Corporation Kawasaki, Japan													
DIMENSIONS: 単位: 耗 mm		CHK SEE SHEET 1	NAME 名称 INDUSTRIAL MINI I/O CONN. 1.27MM PITCH 8P HDR ASSY D-SHAPE TYPE 1													
TOLERANCES UNLESS OTHERWISE SPECIFIED: 一般公差 ±0.5		APVD SEE SHEET 1	PRODUCT SPEC 製品規格 SEE SHEET 1	RESTRICTED TO												
<table border="0"> <tr><td>0-PLC</td><td>±</td></tr> <tr><td>1-PLC</td><td>±</td></tr> <tr><td>2-PLC</td><td>±</td></tr> <tr><td>3-PLC</td><td>±</td></tr> <tr><td>4-PLC</td><td>±</td></tr> <tr><td>ANGLES</td><td>±</td></tr> </table>		0-PLC	±	1-PLC	±	2-PLC	±	3-PLC	±	4-PLC	±	ANGLES	±	APPLICATION SPEC 取付適用規格	SIZE A3	CAGE CODE -
0-PLC	±															
1-PLC	±															
2-PLC	±															
3-PLC	±															
4-PLC	±															
ANGLES	±															
MATERIAL 材料 △	FINISH 仕上 -	WEIGHT -	DRAWING NO 番号 C-1981080	SCALE 尺度 NONE												
CUSTOMER DRAWING		SHEET 2 OF 2		REV A1												