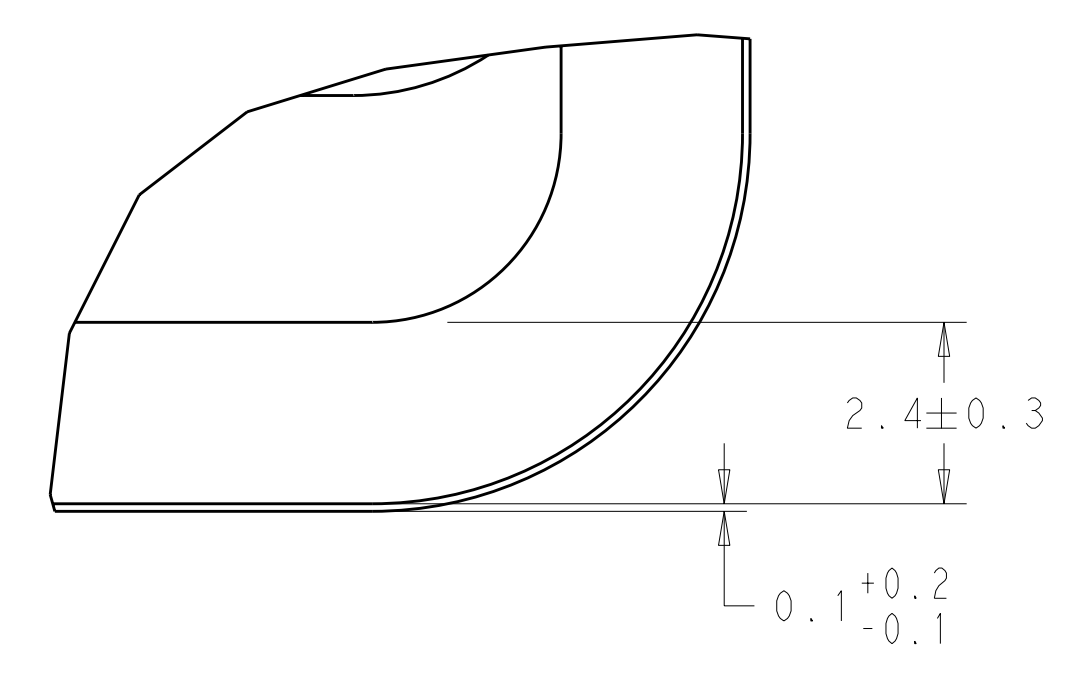
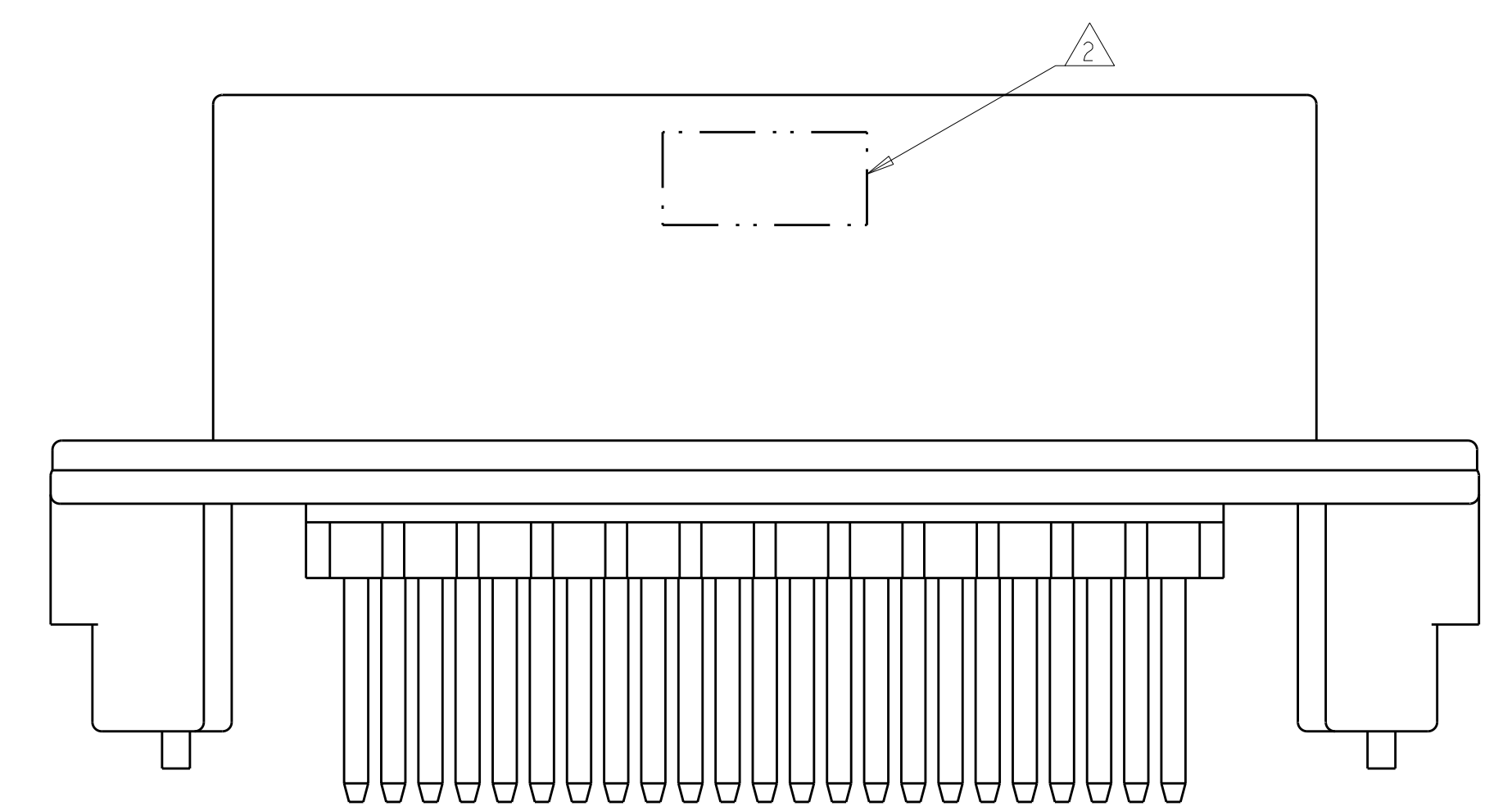
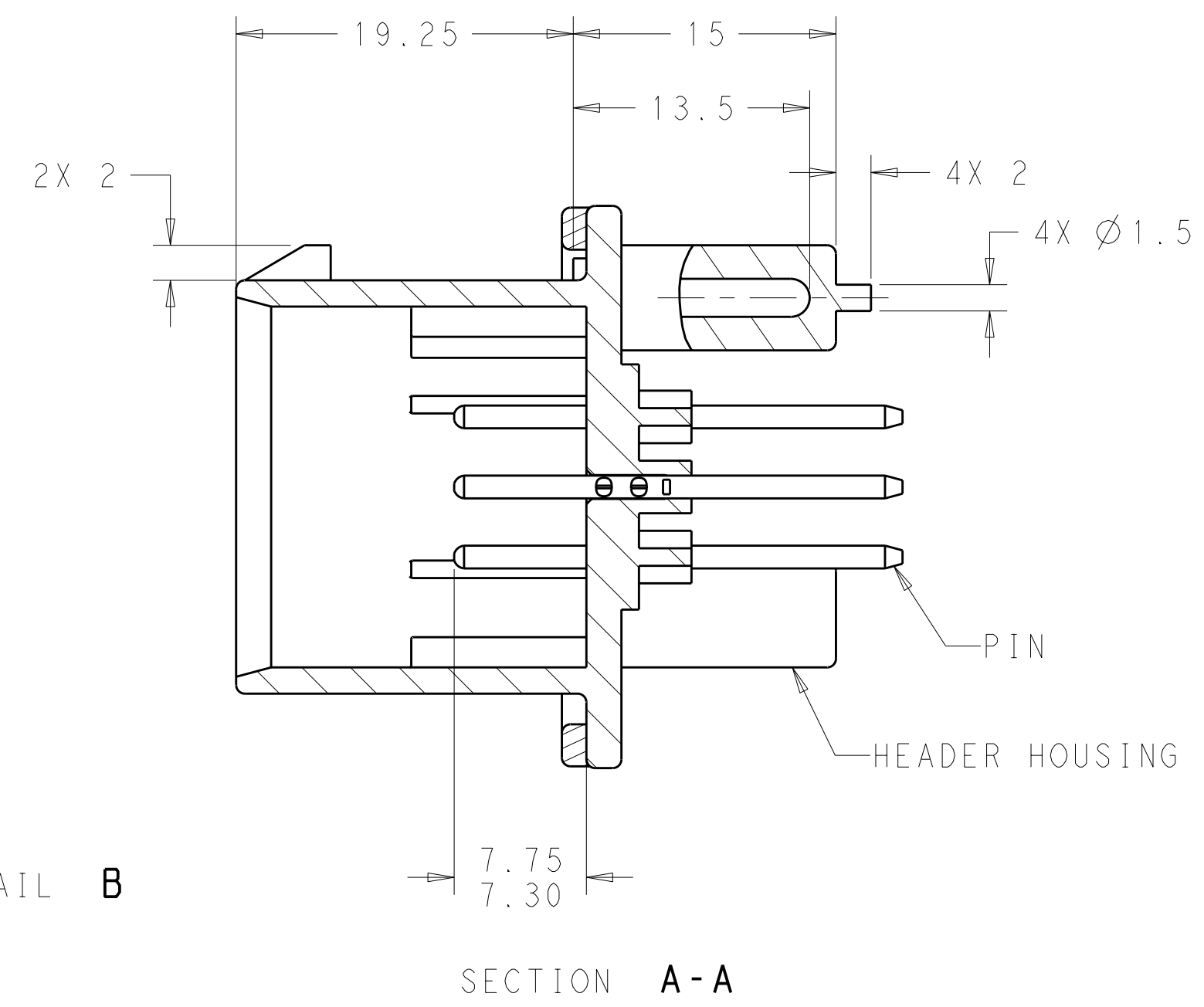
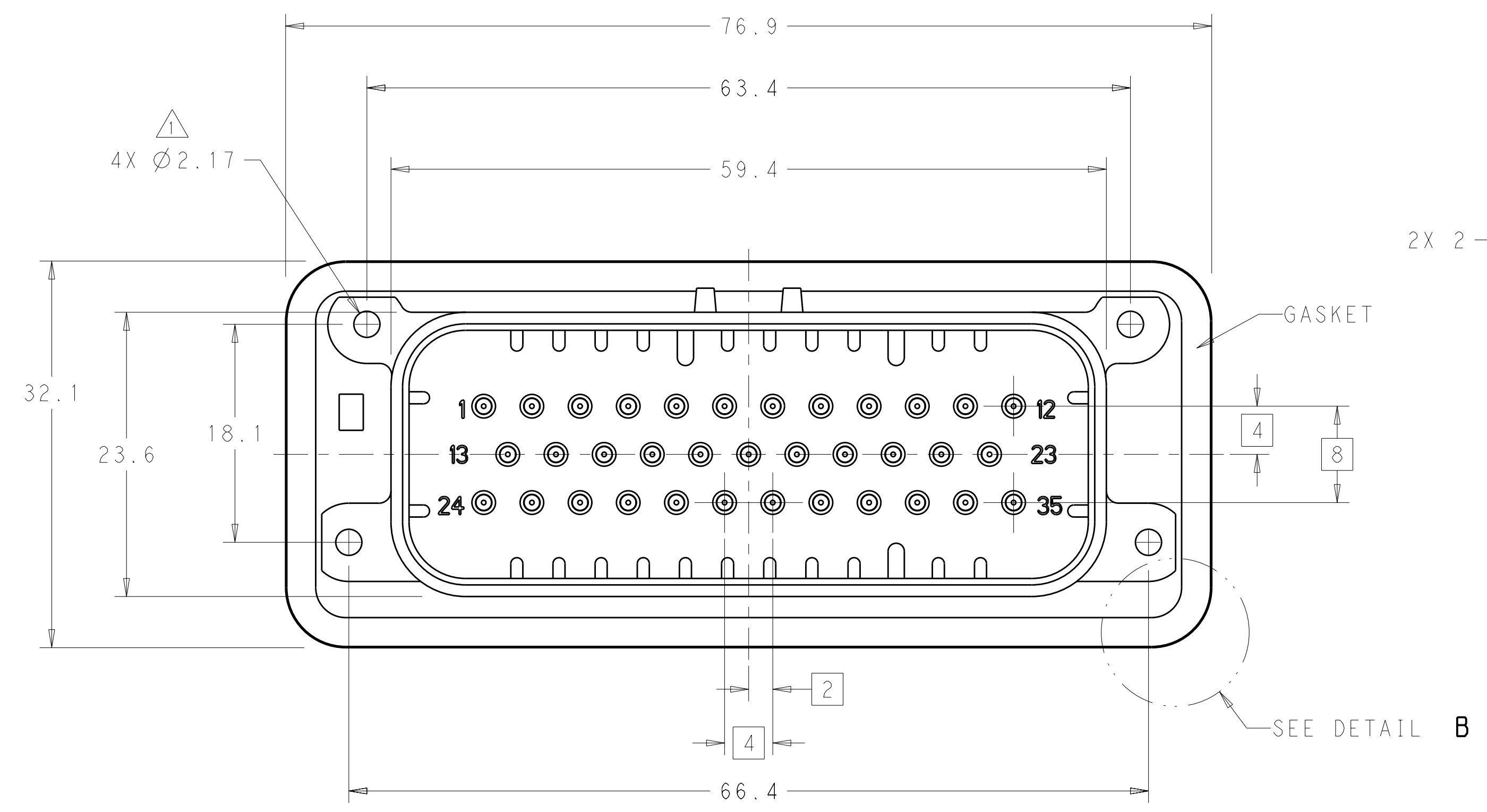


LOC	DIST	REV	DATE	BY	CHK	APPV
BV	00	A4	11MAR2011	RK	HMR	



DETAIL B
SCALE 10:1

- 1 ACCEPTS #4 SELF TAPPING THREAD CUTTING SCREWS OR METRIC EQUIVALENT. DRIVE TO 0.6 N-m MAX
- 2 DATE CODE IN THIS LOCATION USING 5 DIGIT CODE
FIRST 2 DIGITS = YEAR, SECOND 2 DIGITS = WEEK
LAST DIGIT = DAY.
- 3 MATERIALS: HEADER HOUSING - GLASS FILLED PBT
PINS - TIN OR GOLD PLATED BRASS
GASKET - SILICONE
- 4 HOUSING COLORS ARE MECHANICALLY KEYED TO MATE ONLY WITH IDENTICALLY COLORED PLUG ASSEMBLIES.
- 5. HEADER MATES TO PLUG ASSEMBLY 776164 WHICH USES REELED TERMINAL 770520 OR LOOSE PIECE TERMINAL 770854

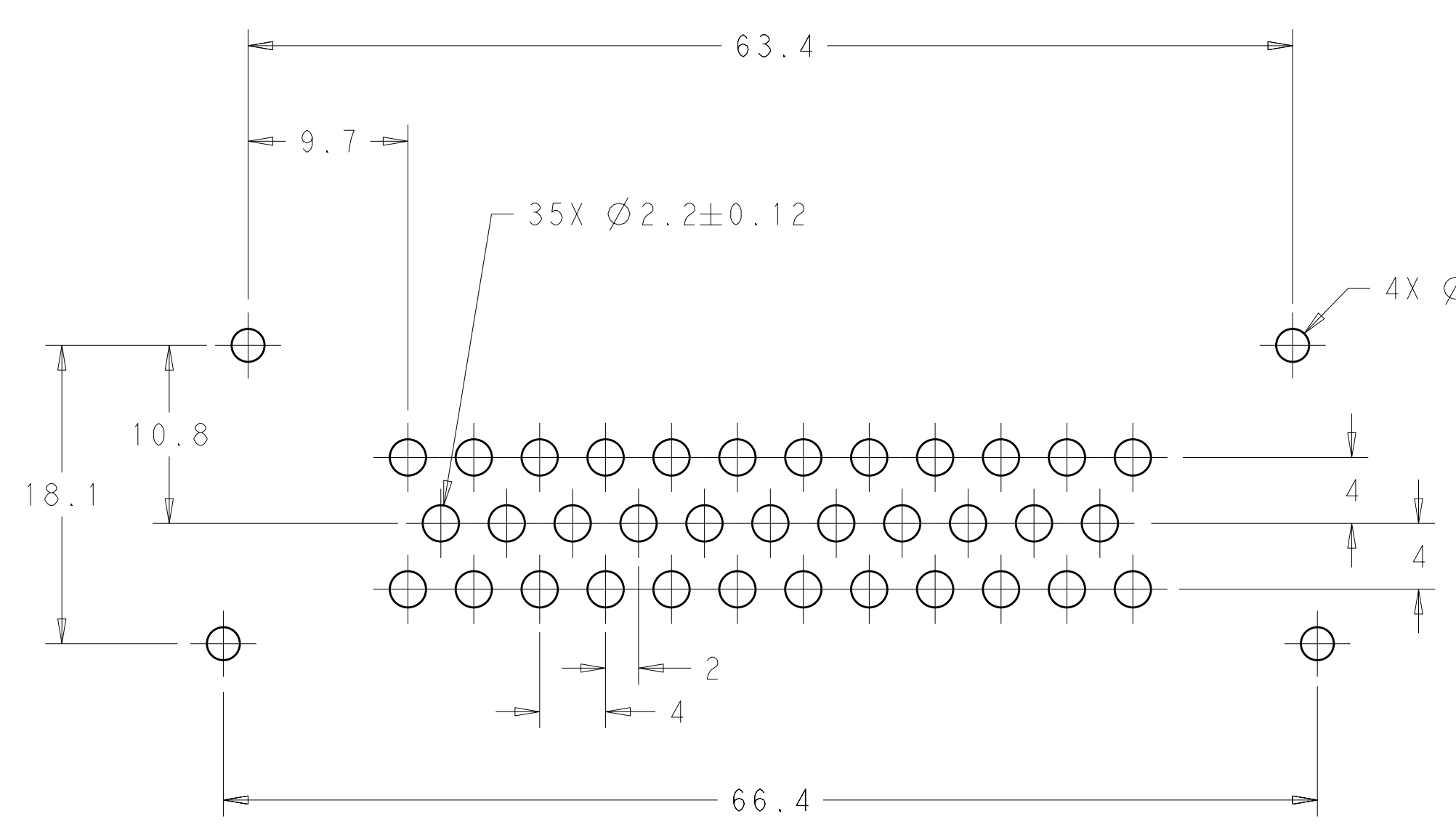
776231-1 & 1-776231-1 SHOWN

COLOR	PLATING	PART NUMBER
BLUE	DURAGOLD	1-776231-5
GRAY	DURAGOLD	1-776231-4
NATURAL	DURAGOLD	1-776231-2
BLACK	DURAGOLD	1-776231-1
BLUE	TIN	776231-5
GRAY	TIN	776231-4
NATURAL	TIN	776231-2
BLACK	TIN	776231-1
HEADER COLOR	PLATING	PART NUMBER

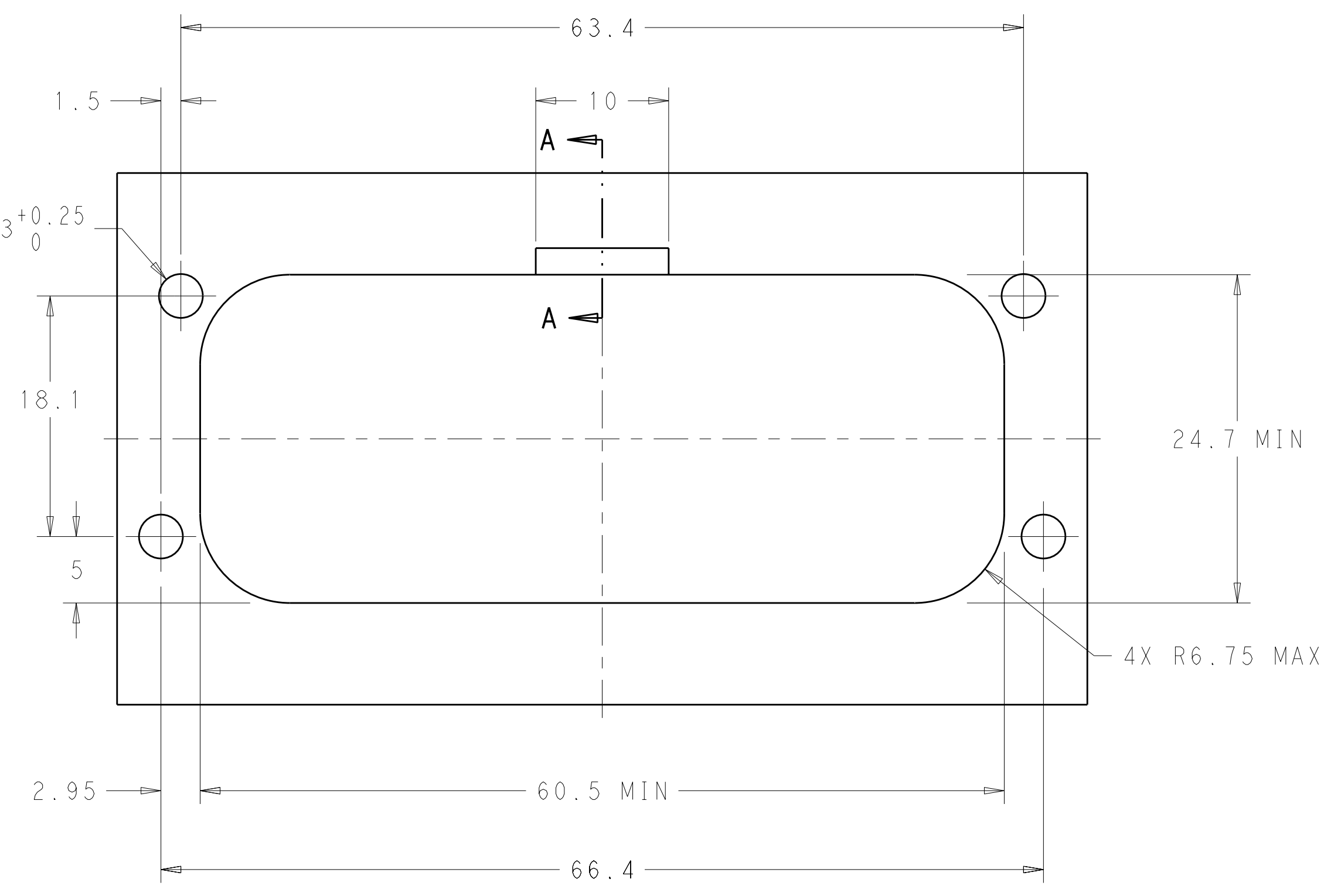
THIS DRAWING IS A CONTROLLED DOCUMENT.		DWN D. STRAUSSER 05MAR2010	TE Connectivity	
DIMENSIONS: mm		CHK D. STRAUSSER 22MAR2010	NAME ASSEMBLY, HEADER, 35 POSITION, VERTICAL, AMPSEAL WITH FLANGE SEAL	
TOLERANCES UNLESS OTHERWISE SPECIFIED: 9 PLC ± 1 PLC ±0.2 5 PLC ±0.13 4 PLC ± ANGLES ±°		APVD D. STRAUSSER 27APR2010	RESTRICTED TO	
MATERIAL		PRODUCT SPEC 108-1329	SIZE CAGE CODE DRAWING NO	
FINISH		APPLICATION SPEC 114-16016	A100779C-776231	
WEIGHT		CUSTOMER DRAWING	SCALE 3:1 SHEET 1 OF 2 REV A4	

LOC	DIST	REV	DATE	BY	APPD
BV	00				

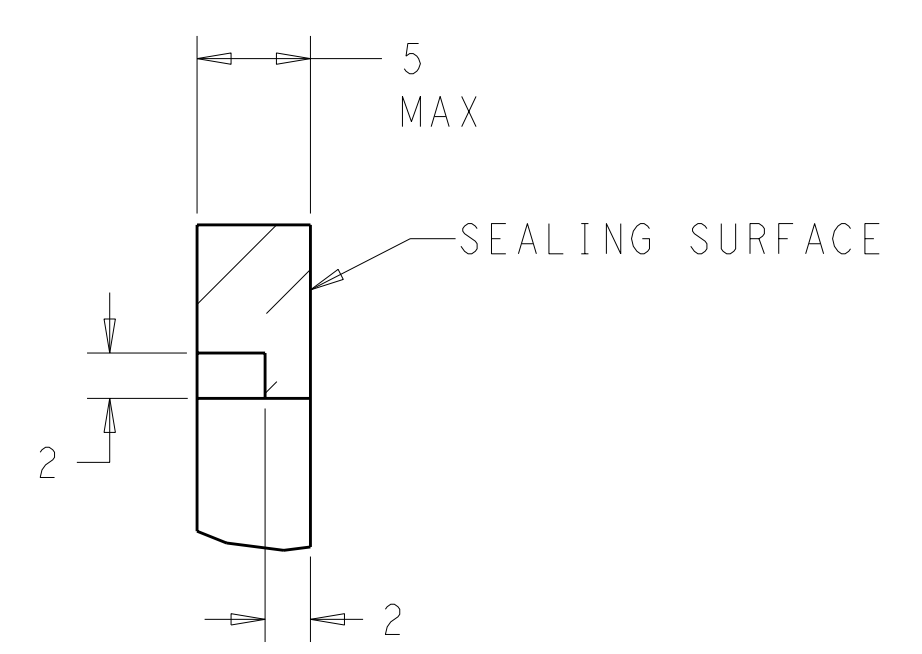
REVISIONS		DATE	BY	APPD
-	SEE SHEET 1	-	-	-



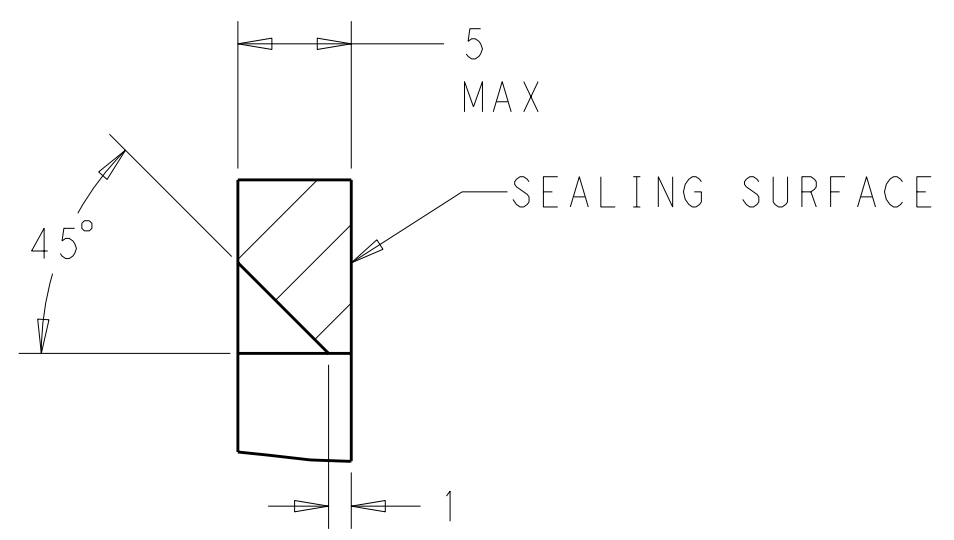
RECOMMENDED P.C. BOARD LAYOUT
 FOR 1.57 THICK P.C. BOARD



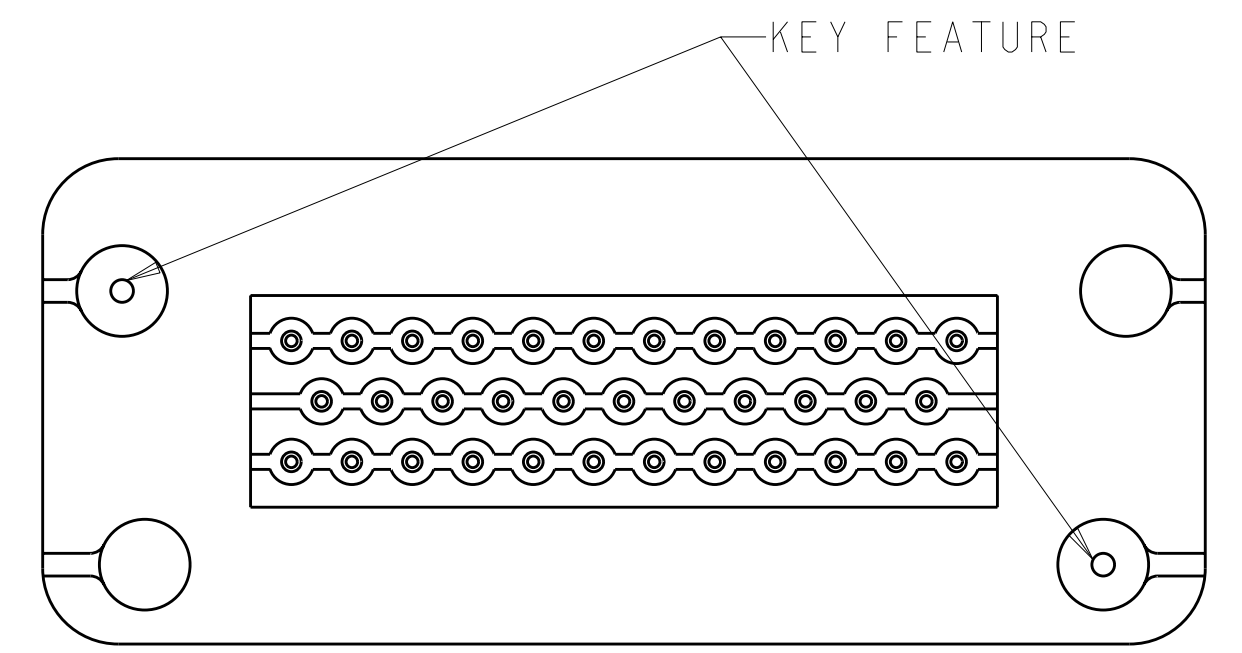
RECOMMENDED MOUNTING HOLE LAYOUT
 FOR 5.0 MAX THICK PANEL



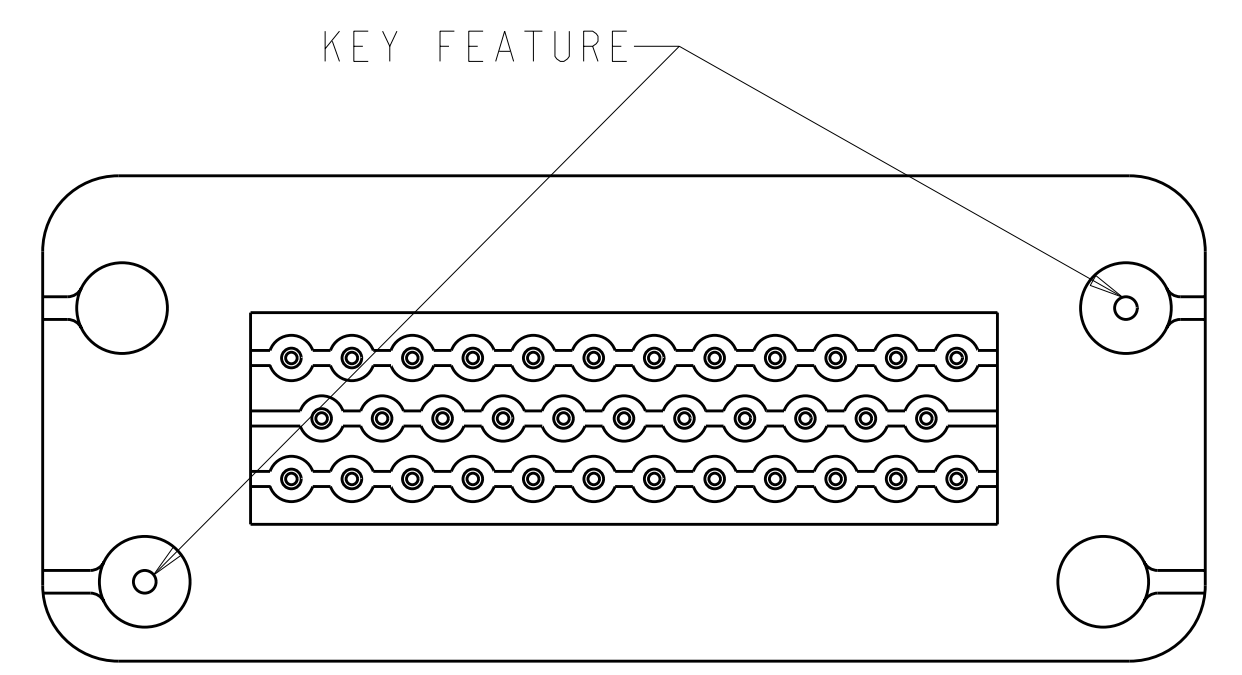
SECTION A-A
 OPTIONAL CONSTRUCTION IF PANEL
 THICKNESS IS GREATER THAN 2.0



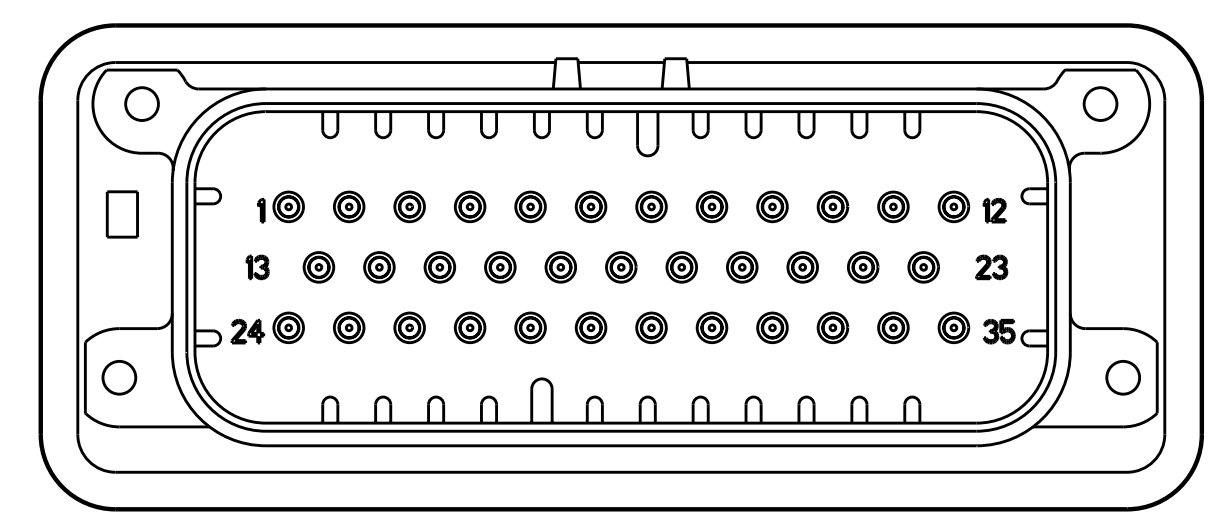
SECTION A-A
 OPTIONAL CONSTRUCTION IF PANEL
 THICKNESS IS GREATER THAN 2.0



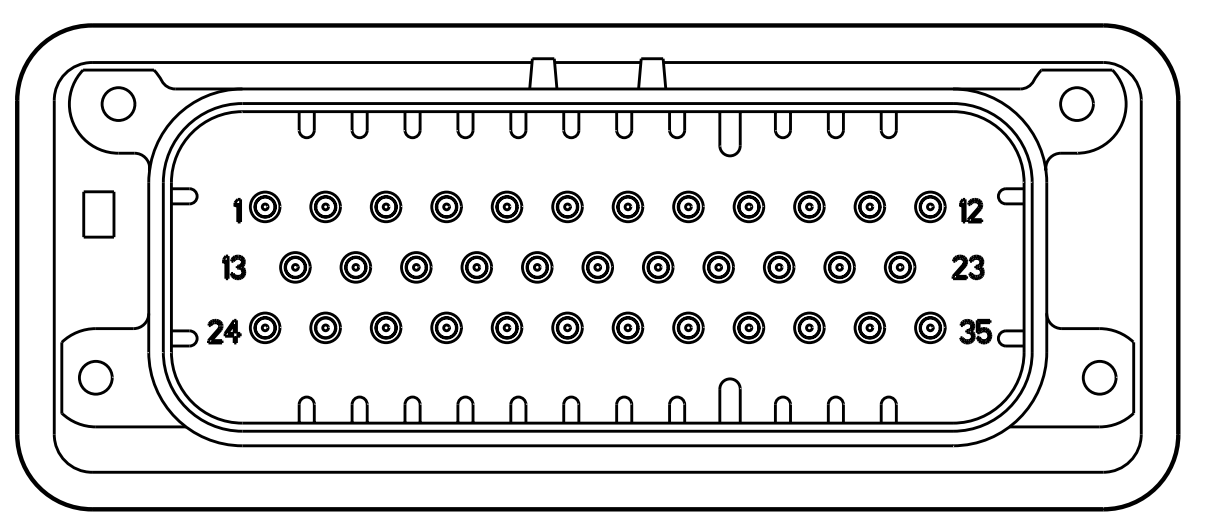
KEYING FOR 776231-1 AND 776231-4
 SCALE 2:1



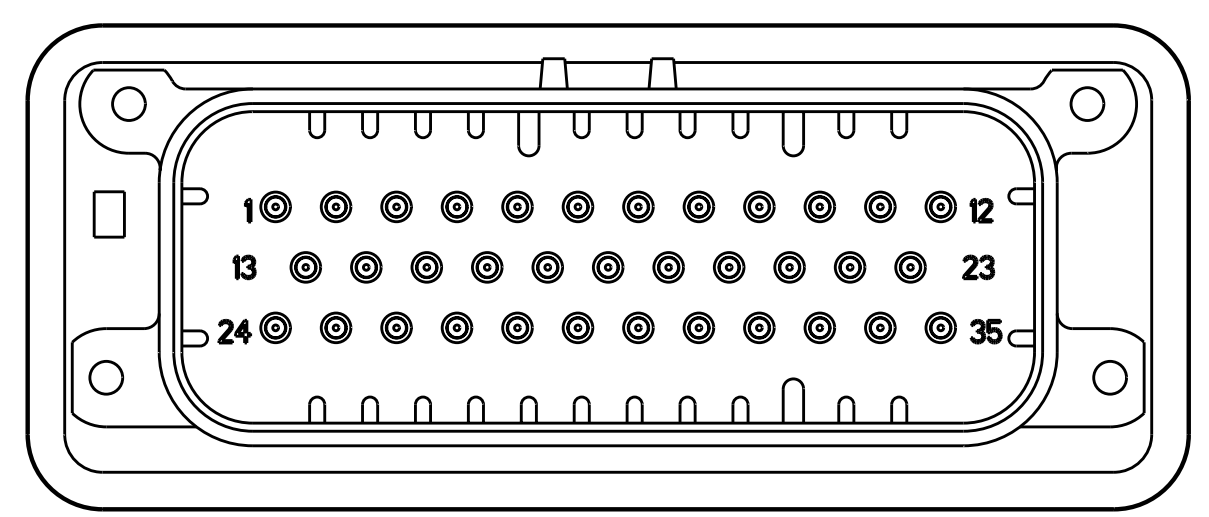
KEYING FOR 776231-2 AND 776231-5
 SCALE 2:1



776231-2 & 1-776231-2
 KEY LOCATION
 SCALE 2:1



776231-4 & 1-776231-4
 KEY LOCATION
 SCALE 2:1



776231-5 & 1-776231-5
 KEY LOCATION
 SCALE 2:1

THIS DRAWING IS A CONTROLLED DOCUMENT.		OWN: D. STRAUSSER 05MAR2010	TE Connectivity	
DIMENSIONS: mm		CHK: D. STRAUSSER 22MAR2010		
TOLERANCES UNLESS OTHERWISE SPECIFIED:		APVD: D. STRAUSSER 27APR2010	NAME: ASSEMBLY, HEADER, 35 POSITION, VERTICAL, AMPSEAL WITH FLANGE SEAL	
		PRODUCT SPEC: 108-1329	RESTRICTED TO:	
MATERIAL: -		APPLICATION SPEC: 114-16016	SIZE: CAGE CODE DRAWING NO: A100779C-776231	
FINISH: -		WEIGHT: -	SCALE: 2:1 SHEET 2 OF 2 REV A4	
		CUSTOMER DRAWING		