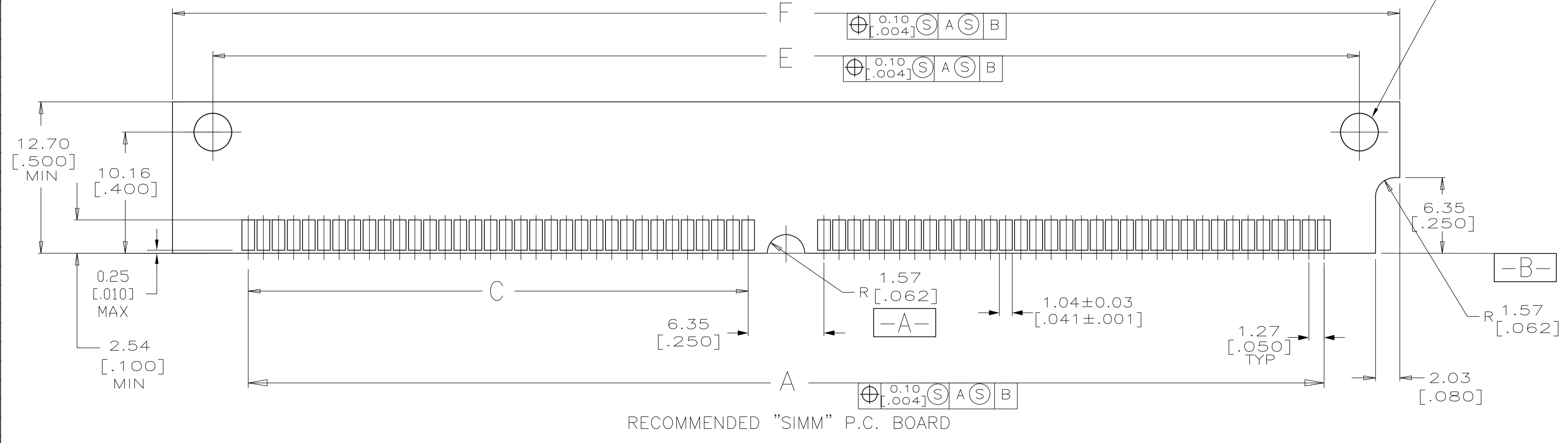
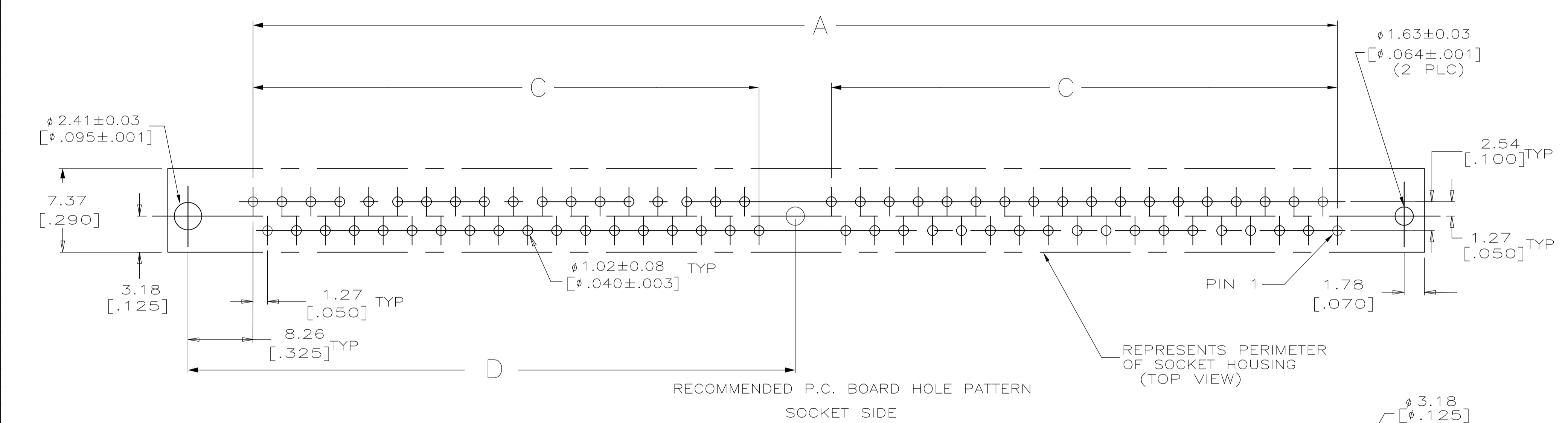
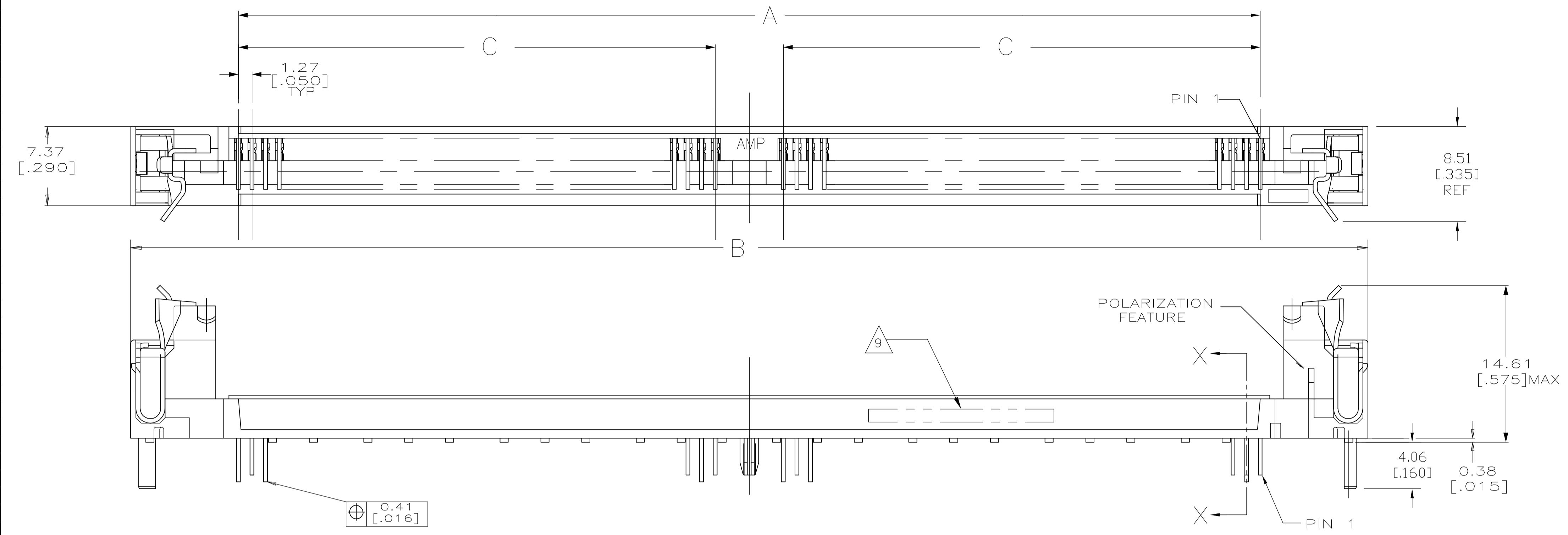
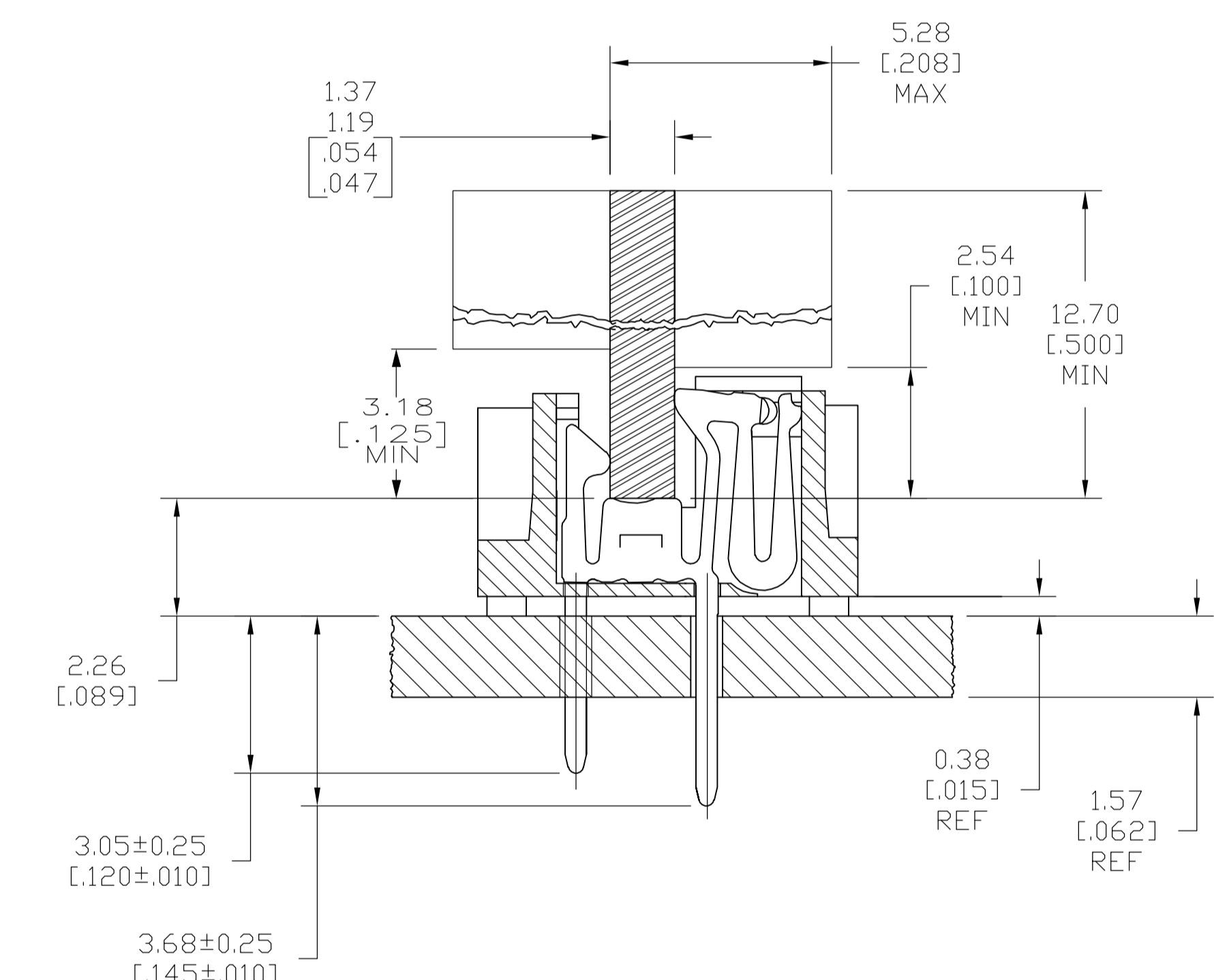


LOC		DIST		REVISIONS			
GP	00	P	LTR	DESCRIPTION	DATE	DWN	APVD
		B		REVISED PER ECO-06-002423	08JUN06	JDP	MDB



- △ HOUSING—MATERIAL : LIQUID-CRYSTAL-POLYMER.
- △ CONTACT—MATERIAL : PHOS. BRONZE.
- △ LATCH—MATERIAL : BRASS, NICKEL PLATE.
- △ CONTACT—PLATE 0.00127 [.000050] MIN NICKEL ALL OVER.
- △ CONTACT—PLATE 0.00076 [.000030] MIN. GOLD AT CONTACT PTS.
- △ CONTACT SOLDER TAILS—PLATE 0.00508 [.000200] MIN MATTE TIN.
- 7. IN ADDITION TO THOSE RECOMMENDED "SIMM" P.C. BOARD DIMENSIONS AND TOLERANCES SHOWN, ALL JEDEC SPECIFICATIONS APPLY AS SHOWN ON MO-116, ISSUE A.
- 8. RECOMMENDED MATING S.I.M.M. TAB METALLURGY:  
 BASE METAL—COPPER. PLATING TO BE 0.00076 [.000030] MIN GOLD OVER 0.00127 [.000050] MIN NICKEL.
- △ 9. DATE CODE: (YEAR WEEK) XXXX FORMAT, LOCATED APPROXIMATELY AS SHOWN ON OPPOSITE SIDE.



SECTION X-X  
 SCALE 10:1  
 (BOARDS SHOWN FOR REF ONLY)

107.95 [4.250]	101.19 [3.984]	55.88 [2.200]	44.45 [1.750]	115.57 [4.550]	95.25 [3.750]	72	5822032-4
F	E	D	C	B	A	NO. OF POSN	PART NO
THIS DRAWING IS A CONTROLLED DOCUMENT.		DIN S. WAITMAN 6JANOS		Tyco Electronics Corporation		Harrisburg, PA 17105-3608	
DIMENSIONS: mm [INCHES]		TOLERANCES UNLESS OTHERWISE SPECIFIED:		APVD M.YEOMANS 6JANOS		NAME	
0 PLC ± -		1 PLC ± -		APPLICATION SPEC		CONNECTOR, MICRO-EDGE, .050, VERTICAL, GOLD PLATING, W/METAL LATCH	
2 PLC ± -		3 PLC ± 0.13 [.005]		SIZE		CASE CODE	
4 PLC ± -		ANGLES ± -		WEIGHT		DRAWING NO	
MATERIAL		FINISH		A1 00779		C=5822032	
1 2 3		3 4 5 6		CUSTOMER DRAWING		SCALE 4:1 SHEET 1 OF 1 REV B	