

# 03P .140 MNL CAP PM NAT ✓ ACTIVE

MATE-N-LOK | Commercial MATE-N-LOK

TE Part # 1-350347-0

TE Internal #: 1-350347-0

[View on TE.com >](#)



Connectors > Power Connectors > Rectangular Power > Rectangular Power Connectors



Product Type: **Housing**

Housing Type: **Receptacle**

Connector System: **Wire-to-Panel, Wire-to-Wire**

Number of Positions: **3**

Centerline (Pitch): **6.1 mm [ .24 in ]**

## Features

### Product Type Features

Product Type	Housing
Housing Type	Receptacle
Connector System	Wire-to-Panel, Wire-to-Wire
Sealable	No
Connector & Contact Terminates To	Wire & Cable
Contact Type	Pin

### Configuration Features

Number of Positions	3
Number of Rows	1

### Electrical Characteristics

Operating Voltage	250 VAC
-------------------	---------

### Contact Features

Contact Layout	Inline
Contact Retention	Without

### Termination Features



Termination Method to Wire & Cable	Crimp
------------------------------------	-------

### Mechanical Attachment

Connector Mounting Type	Panel
-------------------------	-------

### Housing Features

Centerline (Pitch)	6.1 mm[.24 in]
--------------------	----------------

UL Flammability Rating	UL 94V-2
------------------------	----------

Housing Color	Natural
---------------	---------

Housing Material	Nylon
------------------	-------

### Dimensions

Height	30.61 mm
--------	----------

Width	9.27 mm
-------	---------

Length	28.7 mm
--------	---------

### Usage Conditions

Operating Temperature Range	-55 – 105 °C[-67 – 221 °F]
-----------------------------	----------------------------

### Operation/Application

Circuit Application	Power & Signal
---------------------	----------------

### Industry Standards

Glow Wire Rating	Standard Part - Not Glow Wire
------------------	-------------------------------

Agency/Standard Number	E28476
------------------------	--------

### Packaging Features

Packaging Method	Package
------------------	---------

Packaging Quantity	1
--------------------	---

### Product Compliance

[For compliance documentation, visit the product page on TE.com>](#)

EU RoHS Directive 2011/65/EU	Compliant
------------------------------	-----------

EU ELV Directive 2000/53/EC	Compliant
-----------------------------	-----------

China RoHS 2 Directive MIIT Order No 32, 2016	No Restricted Materials Above Threshold
---	---

EU REACH Regulation (EC) No. 1907/2006	Current ECHA Candidate List: JAN 2019 (197) Candidate List Declared Against: JAN 2019 (197)
--	--

Halogen Content	Low Halogen - Br, Cl, F, I < 900 ppm per
-----------------	--



homogenous material. Also BFR/CFR/PVC Free

Solder Process Capability

Not applicable for solder process capability

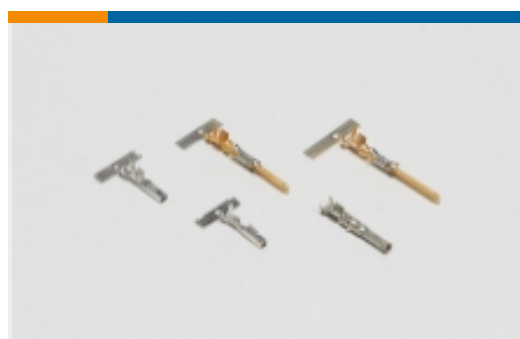
Product Compliance Disclaimer

This information is provided based on reasonable inquiry of our suppliers and represents our current actual knowledge based on the information they provided. This information is subject to change. The part numbers that TE has identified as EU RoHS compliant have a maximum concentration of 0.1% by weight in homogenous materials for lead, hexavalent chromium, mercury, PBB, PBDE, DBP, BBP, DEHP, DIBP, and 0.01% for cadmium, or qualify for an exemption to these limits as defined in the Annexes of Directive 2011/65/EU (RoHS2). Finished electrical and electronic equipment products will be CE marked as required by Directive 2011/65/EU. Components may not be CE marked. Additionally, the part numbers that TE has identified as EU ELV compliant have a maximum concentration of 0.1% by weight in homogenous materials for lead, hexavalent chromium, and mercury, and 0.01% for cadmium, or qualify for an exemption to these limits as defined in the Annexes of Directive 2000/53/EC (ELV). Regarding the REACH Regulations, TE's information on SVHC in articles for this part number is still based on the European Chemical Agency (ECHA) 'Guidance on requirements for substances in articles' (Version: 2, April 2011), applying the 0.1% weight on weight concentration threshold at the finished product level. TE is aware of the European Court of Justice ruling of September 10th, 2015 also known as O5A (Once An Article Always An Article) stating that, in case of 'complex object', the threshold for a SVHC must be applied to both the product as a whole and simultaneously to each of the articles forming part of its composition. TE has evaluated this ruling based on the new ECHA "Guidance on requirements for substances in articles" (June 2017, version 4.0) and will be updating its statements accordingly.

### Compatible Parts



Connector Contacts(6)



Power Contacts(19)



Rectangular Power Connectors(1)

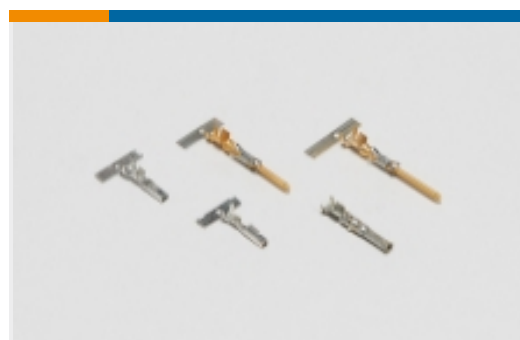
### Also in the Series | Commercial MATE-N-LOK



Connector Contacts(55)



Crimp Wire Pins, Tabs & Ferrules(3)



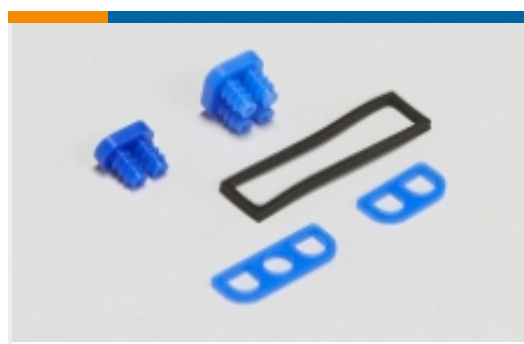
Power Contacts(132)



Rectangular Caps & Covers (2)



Rectangular Connector Housings(20)



Rectangular Connector Seals(1)



Rectangular Power Connectors(171)

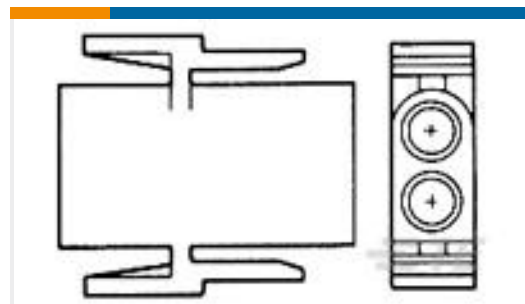


Standard Rectangular Connectors(10)

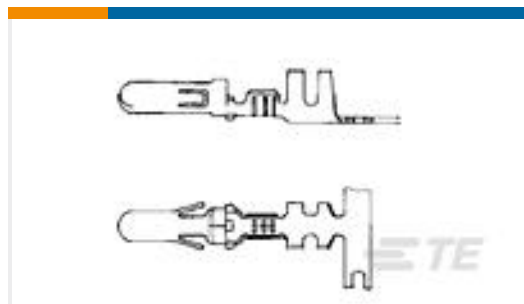


Wire-to-Board Connector Contacts(1)

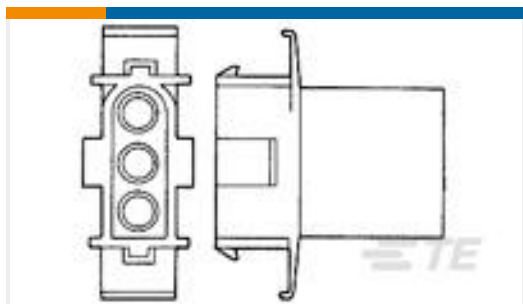
### Customers Also Bought



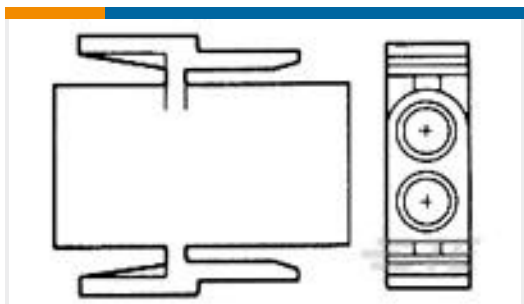
TE Part #1-350346-0  
03P .140 MNL PLUG P/M NAT



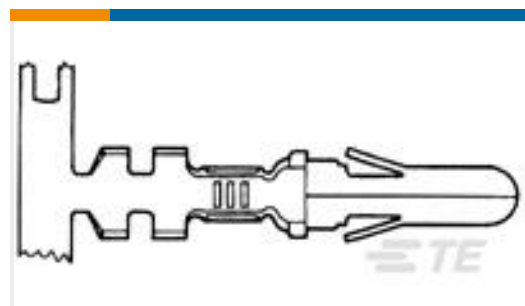
TE Part #925660-2  
140 DIA PIN



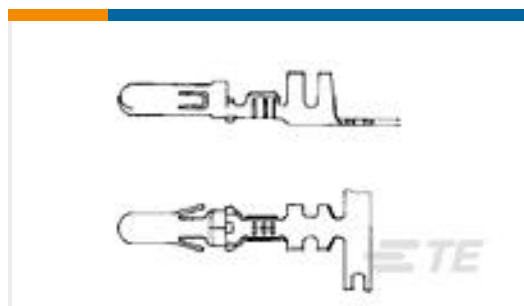
TE Part #1-350345-0  
02P .140 MNL CAP P/M NAT



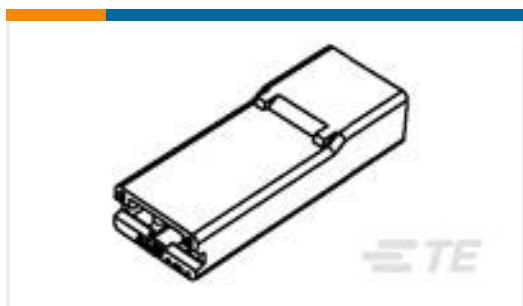
TE Part #1-350344-0  
02P .140 MNL PLUG NAT



TE Part #61627-1  
.140 DIA PIN 20-14 PTPBR



TE Part #925715-2  
MATENLOK PIN .140



TE Part #735075  
POST INSULATION FASTON 250 HOUSING

### Documents

#### Product Drawings

[03P .140 MNL CAP PM NAT](#)

English

#### CAD Files

[Customer View Model](#)

[ENG\\_CVM\\_1-350347-0\\_F.2d\\_dxf.zip](#)

English

[Customer View Model](#)



[ENG\\_CVM\\_1-350347-0\\_F.3d\\_igs.zip](#)

English

**Customer View Model**

[ENG\\_CVM\\_1-350347-0\\_F.3d\\_stp.zip](#)

English

**3D PDF**

English

---

**Datasheets & Catalog Pages**

[SOFT\\_SHELL\\_PIN\\_SOCKET\\_CONNECTORS\\_STANDARD\\_DENSITY](#)

English

---

**Product Specifications**

[Product Specification](#)

English

---

**Product Environmental Compliance**

[TE Material Declaration](#)

English

---

**Instruction Sheets**

[Instruction Sheet \(U.S.\)](#)

English

---

**Agency Approvals**

[Agency Approval Document](#)

English

[Agency Approval Document](#)

English