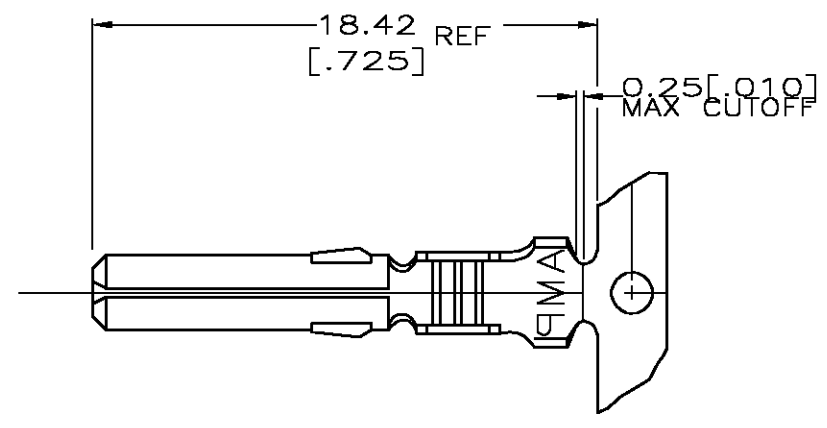
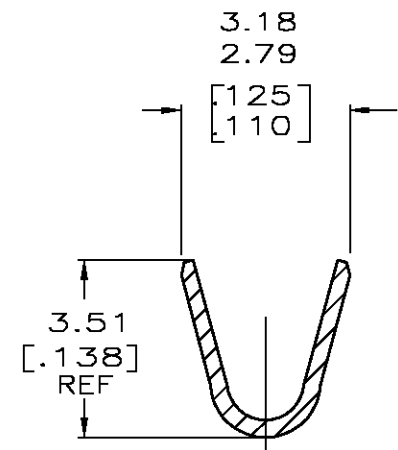
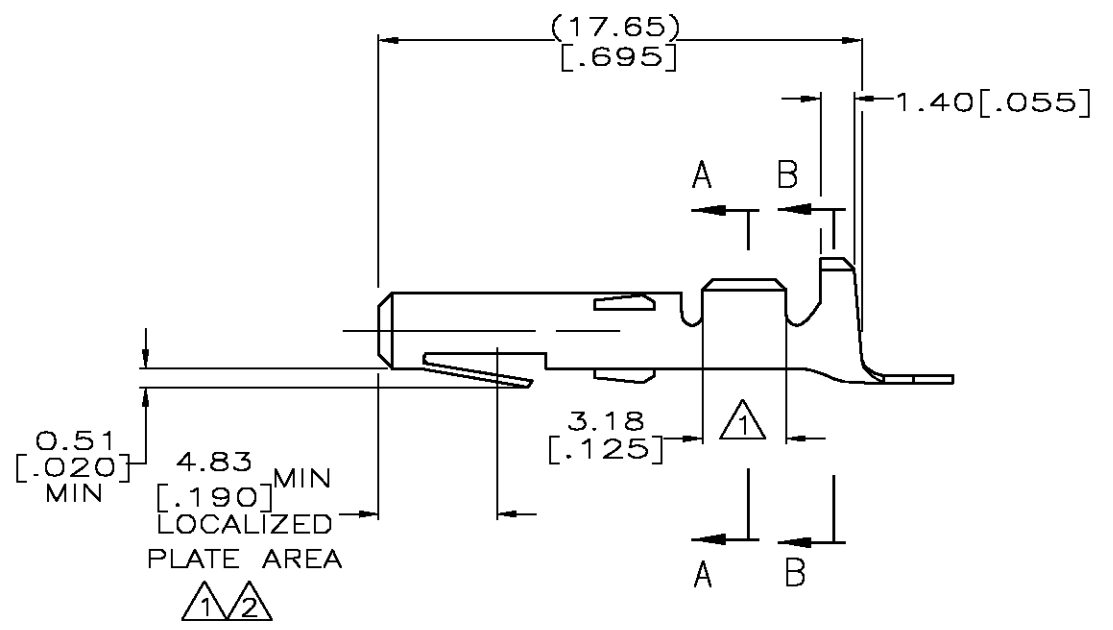
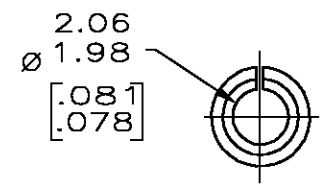


THIS DRAWING IS UNPUBLISHED. RELEASED FOR PUBLICATION
 © COPYRIGHT BY TYCO ELECTRONICS CORPORATION. ALL RIGHTS RESERVED.

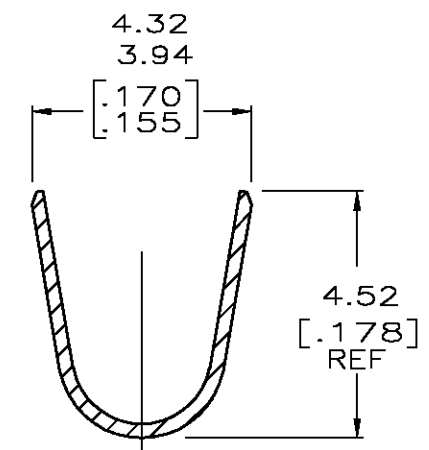
LOC	DIST	REVISIONS			
P	LTR	DESCRIPTION	DATE	DWN	APVD
CM	00	AC	REVISE PER 0G3B-0219-05	01MAR05	KW DC



- ① 0.00076 [.000030] THK GOLD IN LOCALIZED PLATING AREA AND IN WIRE BARREL; REMAINDER OF CONTACT IS NICKEL PLATED.
- ② 0.00076 [.000030] THK GOLD IN LOCALIZED PLATING AREA; REMAINDER OF CONTACT IS NICKEL PLATED.
- 3. DIMENSIONS IN BRACKETS ARE IN INCHES.



SECTION A-A
SCALE 10:1



SECTION B-B
SCALE 10:1

	APPLICATOR TYPE	FINISH	MATERIAL	PART NO
-	MINI	GOLD ②	0.30 [.012] BRASS	61117-7
60619-7	MINI	GOLD ①	0.30 [.012] PH BZ	61117-6
60619-5	MINI	GOLD ①	0.30 [.012] BRASS	61117-5
-	MINI	TIN	0.30 [.012] PH BZ	61117-4
-	MINI	-	0.30 [.012] BRASS	61117-2
60619-1	MINI	TIN	0.30 [.012] BRASS	61117-1

THIS DRAWING IS A CONTROLLED DOCUMENT.

DWN K. WHITAKER 01MAR2005	 Tyco Electronics Corporation Greensboro, NC 27409	NAME	SOCKET, COMMERCIAL MATE-N-LOK™	
CHK D. COLEY 01MAR2005		SIZE	CAGE CODE	DRAWING NO
APVD D. COLEY 01MAR2005		A3	00779	C-61117
PRODUCT SPEC		RESTRICTED TO	-	
APPLICATION SPEC	WEIGHT	-		SCALE 5:1
MATERIAL 20-14 AWG	FINISH 3.30 [.130] DIA MAX	CUSTOMER DRAWING		SHEET 1 OF 1