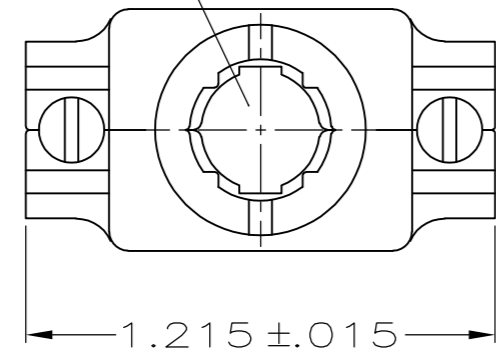


THIS DRAWING IS UNPUBLISHED. RELEASED FOR PUBLICATION
 © COPYRIGHT - By - ALL RIGHTS RESERVED.

LOC		DIST		REVISIONS			
P	LTR	DESCRIPTION		DATE	DWN	APVD	
	A1	REVISED PER ECO-11-005033		23MAR11	RK	HMR	

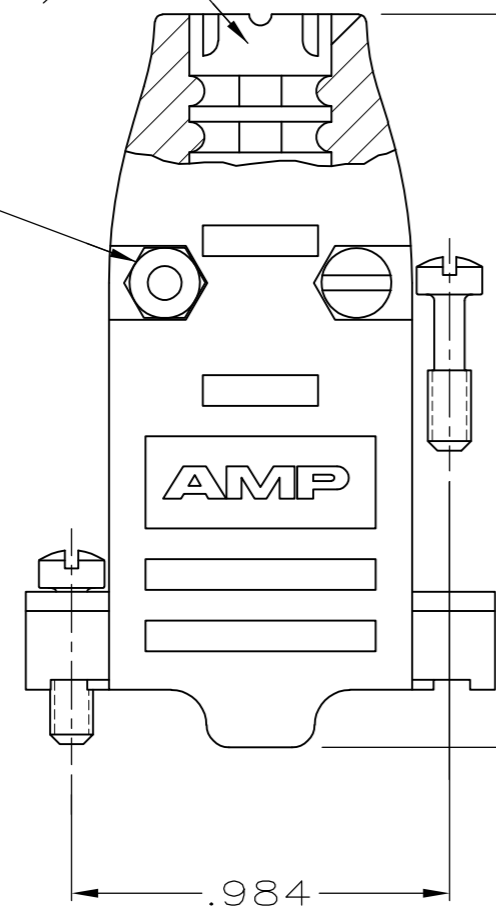
1. ALL PARTS PACKAGED UNASSEMBLED.
- ② AS SHOWN, THIS KIT CONSISTS OF 2 STRAIN RELIEF HALVES, 2 #4-40 SCREWS, 2 #4-40 NUTS & 2 #4-40 MOUNTING SCREWS.
- ③ SAME AS SHOWN, EXCEPT: EACH PART IS INDIVIDUALLY BULK PACKED FOR MULTIPLE KIT ORDERS.
- ④ ZINC PLATED .000200-.000400 THICK, CLEAR CHROMATE COATING.
- ⑤ OBSOLETE.

OPENING FOR CABLE
(SEE DASH NO FOR DIA)



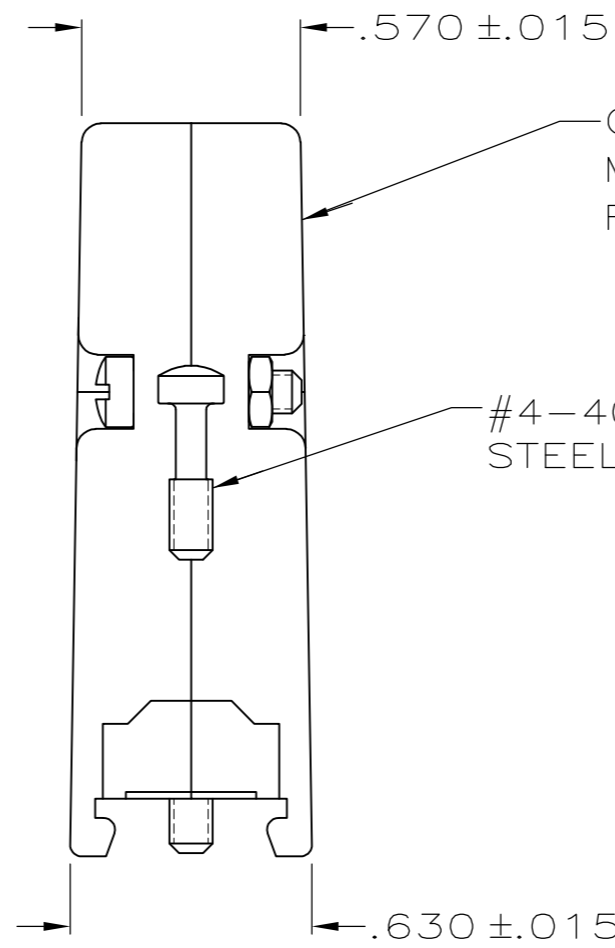
SIZE IDENTIFICATION
LETTER MOLDED HERE
(SEE TABLE)

#4-40 FILLISTER HEAD
STEEL SCREW & HEX NUT,
2 EACH REQD. ④



1.910 ± .015

.984



CABLE CLAMP
MATERIAL: FLAME RETARDANT THERMOPLASTIC
FINISH: BRIGHT NICKEL OVER BRIGHT COPPER

#4-40 FILLISTER HEAD SCREW
STEEL, 2 REQD. ④

A	.200	-	5745854-5
C	.250	-	5745854-3
H	.370	5745854-2 ⑤	5745854-1
SIZE IDENT LETTER	CABLE DIA	BULK PACKED KIT NO ③	INDIVIDUAL KIT NO ②

DIMENSIONS:		TOLERANCES UNLESS OTHERWISE SPECIFIED:		DWN		CHK		APVD		NAME	
INCHES		0 PLC	± -	B. MCMASTER		04AUG05		C. ROHDE		04AUG05	
		1 PLC	± -	M. WALMSLEY		04AUG05		PRODUCT SPEC		-	
		2 PLC	± -	APPLICATION SPEC		-		SIZE		CAGE CODE	
		3 PLC	± .005	WEIGHT		-		DRAWING NO		RESTRICTED TO	
		4 PLC	± -	CUSTOMER DRAWING		SCALE		SHEET		REV	
SEE CALLOUT		SEE CALLOUT		FINISH		-		A2		C=5745854	
				ANGLES		± -		2:1		1 of 1	

STE TE Connectivity

CABLE CLAMP KIT, SIZE 1, 9 POSN,
180 DEGREES, PLATED PLASTIC,
AMPLIMITE