

## Technical Features

The new Tyco Electronics 7.5 mm Mini HVL Connector Series is designed according the IEC 60320 standard for lighting industry applications; where size and easy interconnection are key requirements. It is installable in small fixtures into furniture, ceiling, wall and floors.

Applicable in power connection and coupling between lamps such as lighting wiring in offices; kitchen, bathroom, shop and household furniture; display cabinets and mountable lighting.

### Description

- Connector system available in wire-to-wire configuration.
- Outlet and Plug assemblies with two contact positions.
- Using widely known MQS contacts.
- 6 way distributor with additional switch feature.

### Applications

- General two pole appliance wiring system for household and similar purposes from low voltage up to 250V.
- Specifically designed for lighting industry applications where size is a key requirement, to get a power connection and coupling between lamps.
- Lighting wiring in office, kitchen, bathroom and shop furniture or household, mountable lighting (like fluorescent tubes and energy saving lamps).

### Key Features

- 7.5 mm outer diameter of plug to fit into 8 mm furniture holes.

- Several versions available: 250 VAC, polarized 250 VAC, 125 VAC, 42 VAC and 42 VDC.
- Ring clip for wire retention to meet pull test according IEC 60320.
- Coupling designed according IEC 60320.
- 6 way distributor:
  - Fast one stroke IDC termination (pre assembled contacts).
  - Switch version available (Having an additional 7<sup>th</sup> way that let switch the other ones).
  - Special coded red plug for external switch input.
  - Specific red code ring to identify the 7<sup>th</sup> switch input.
- Outlet bridge, Splitter, Panel Mount Outlet and Bus Bar Splitter to expand interconnection options.

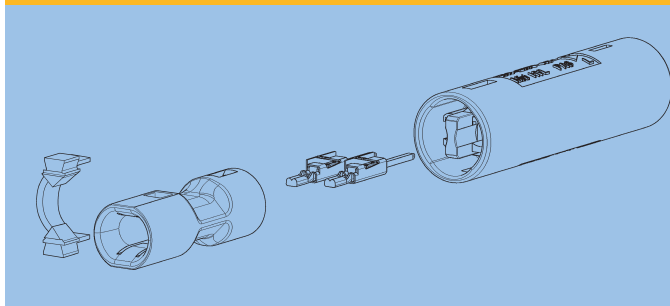
### Electrical

- Rated at 2.5 A 250 VAC (per IEC 60320), 6A 125 VAC, 7A 42 VAC and 7A 42 VDC with H03VVH2-F 2x0,75 mm<sup>2</sup> wires.
- Protection Class II.

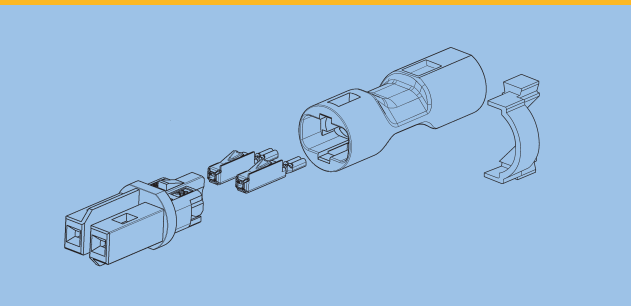
### Mechanical

- Highly reliable and widely used MQS contacts.
- Wire termination: Crimp contacts for Plug & Outlet and IDC for distributor.
- Operating temperature: till +60° C for H03VVH2-F 2x0.75 mm<sup>2</sup> wires.
- Durability: 300 cycles.

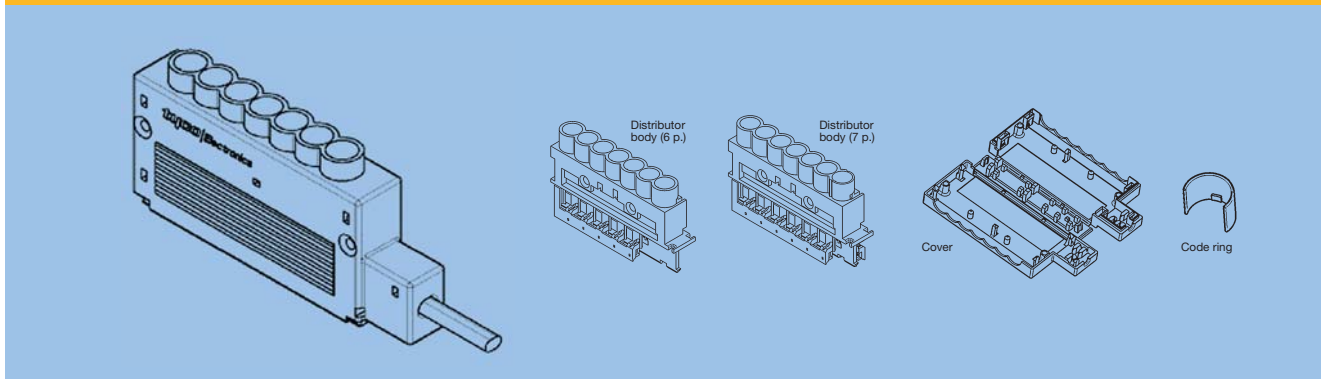
### Outlet assembly



### Plug assembly



### Distributor assembly



## Product Offering

		PN									
Coupling		HV 250 VAC						Switch version	HV 125 VAC	LV 42 VAC	LV 42 VDC
Keying		HV-1		HV-4		HV-5		HV-2	HV-3	LV-1	LV-2
Housing colour		White	Black	White	Black	White	Black	Red	Blue	Light grey	Yellow
Plug housing (for socket contacts)	Bulk	1740259-1	1740259-2	1740825-1	1740825-2	1740825-3	1740825-4	1740259-5 *	1740259-6	1740449-1	1740449-2
Outlet housing (for pin contacts)	Bulk	1740262-1	1740262-2	1740826-1	1740826-2	1740826-3	1740826-4	-	1740262-6	1740451-1	1740451-2
Tube (To be used in all keying versions)	Bulk	1740260-1 1740260-2									
Ring clip (To be used in all keying versions)	Bulk	1740261-1 1740261-2									
		Plain (unplated)		Reel		Loose piece		Gold plated		Reel Loose piece	
Pin contact	Bulk			1740335-1	1740335-3					1740335-7	1740335-8
Socket contact	Bulk			1740336-1	1740336-3					1740336-7	1740336-8

\* To be used with 7 way distributor

Distributor		HV 250 VAC						HV 125 VAC		LV 42 VAC	LV 42 VDC
Keying		HV-1						HV-3	LV-1	LV-2	
Housing colour		White	Black			White	Black	Red	Blue	Light grey	Yellow
Mini HVL 7.5 mm System 6 way body	pc	1740317-1	1740317-3						1740317-5	1740317-7	1740317-9
Mini HVL 7.5 mm System 7 way body (switch)	pc	1740317-2	1740317-4						1740317-6	1740317-8	1-1740317-1
Mini HVL 7.5 mm System Cover	pc			1740315-1	1740315-2						
Mini HVL 7.5 mm System Code Ring	pc							1740316-1 **			

\*\* To be used only in 7 way body assemblies.

Tooling	PN	Tooling	PN
Fixed head crimping hand tool (complete)	2-1579004-2	Hand gripper (for ring clip)	3-1579002-1
Interchangeable head crimping hand tool - Handle	2-1579005-1	Extraction tool	1-1579007-4
Head for interchangeable head crimping hand tool	3-1579021-8	IDC tool for distributor <sup>2</sup>	6-528441-3
Mini Applicator <sup>1</sup>	9-541803-2		

1: To be used with AMP 3K/40 Terminator machine 1725950-6.

2: To be used with IDC Bench Press 578016-5

**Note:** crimping tools make two crimps in one cycle.

Accessories	Key	PN		Key	PN		Key	PN	
		Color			Color			Color	
		White	Black		White	Black		White	Black
Outlet Bridge	Voltage								
	HV 250 VAC	HV4-HV5	293225-1	293225-2	-	-	-	-	-
Panel Mount Outlet	HV 250 VAC	HV-4	293224-1	293224-2	HV-5	293224-5	293224-6	HV-2	293224-3 293224-4
Splitter	HV 250 VAC	HV-4/HV-4 & HV-4	293234-1	293234-2	-	-	-	-	-
Splitter (switch)	HV 250 VAC	HV-4/HV-4 & HV-2	293235-1	293235-2	-	-	-	-	-
Bus bar w/fix hook	HV 250 VAC	HV-1	293300-1	293300-2	-	-	-	-	-
Bus bar	HV 250 VAC	HV-1	293300-3	293300-4	-	-	-	-	-



Cable Assemblies	PN				
	Black	Length	White	Length	Type
Outlet (HV-1) - Plug (HV-1)	960550-1	2,0 m	1-960550-1	0,2 m	a
Plug (HV-1) - Free end cable <sup>3</sup>	960551-2	2,0 m	1-960551-2	0,2 m	b
Plug (HV-2) - Free end cable <sup>3</sup>	960552-3	2,0 m	1-960552-1	0,2 m	b
6 way distributor - Plug (Euro style)	960555-1	2,0 m	1-960555-1	2,0 m	c
6 way distributor - Free end cable <sup>3</sup>	960556-2	0,3 m	1-960556-2	0,3 m	d
7 way distributor - Plug (Euro style)	960557-1	2,0 m	1-960557-1	2,0 m	c
7 way distributor - Free end cable <sup>3</sup>	960558-2	0,3 m	1-960558-2	0,3 m	d

3: Free end wires terminated with ferrules.

Other lengths and configurations upon request (volumes may be applicable).

