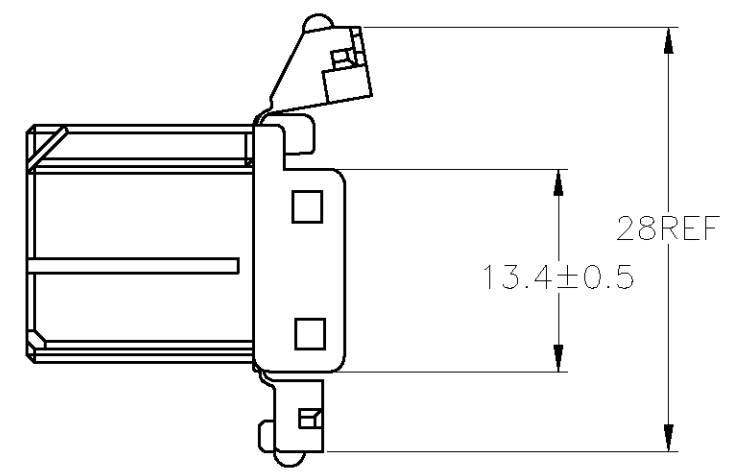
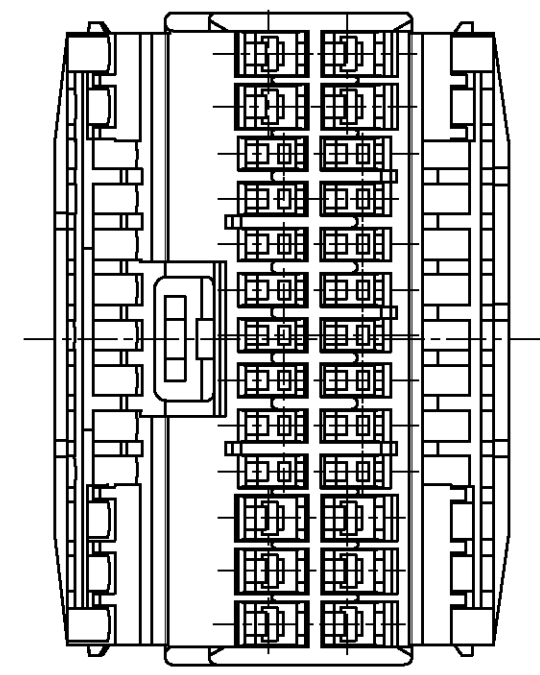
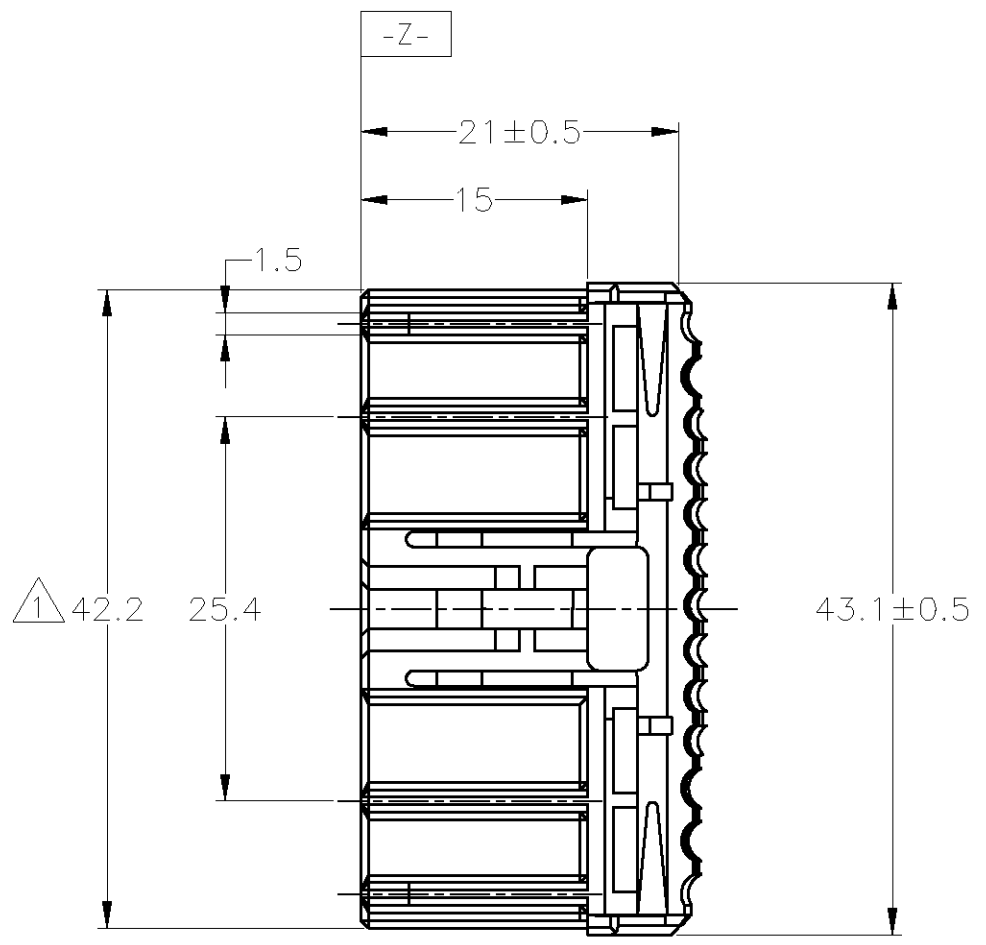
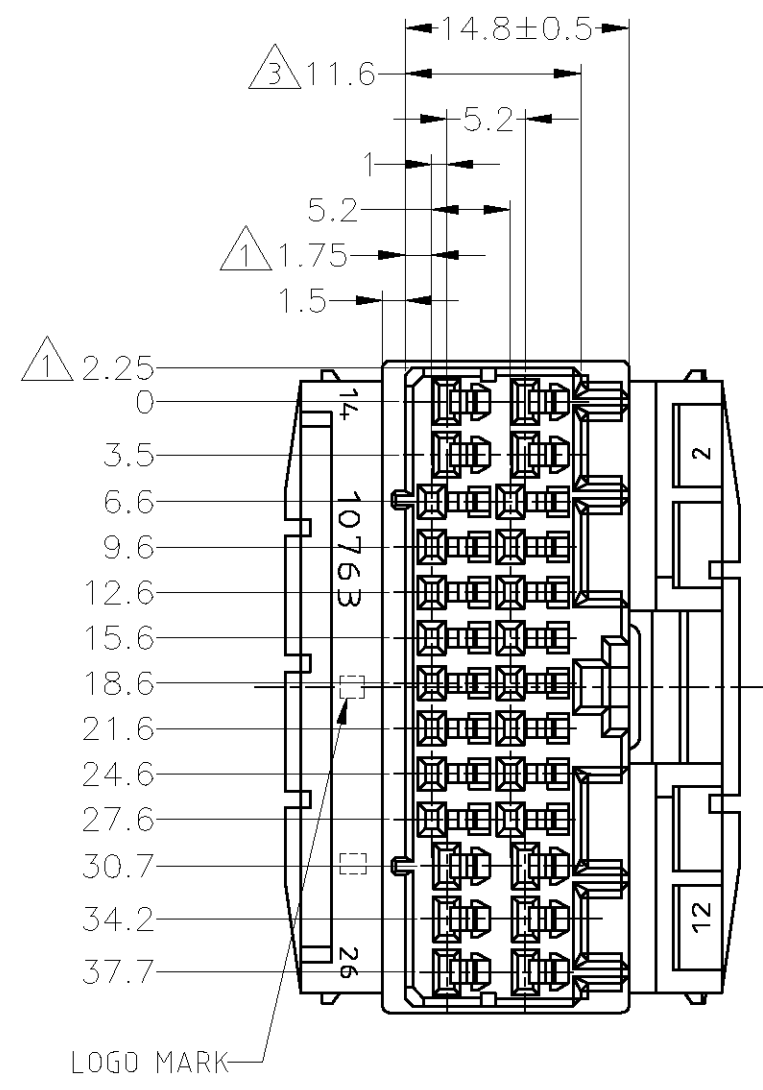


THIS DRAWING IS UNPUBLISHED. RELEASED FOR PUBLICATION
 © COPYRIGHT BY TYCO ELECTRONICS CORPORATION. ALL INTERNATIONAL RIGHTS RESERVED.

LOC	DIST	REVISIONS					
		P	LTR	DESCRIPTION	DATE	DWN	APVD
J	-	E1	REVISED	ECR-10-017285	06SEP10	TS	KB



- △1. MUST BE KEPT BETWEEN [-Z-] AND 2mm.
 2. THE MATING CAP HOUSING PART NUMBER ; 174518
 3. APPLIED CONTACT PART NUMBER ; 173631, 173716, 173630, 175094
 4. APPLICABLE PRODUCT SPECIFICATION NUMBER ; 108-5280
- △1. [-Z-] 面より2mmの範囲で測定
 2. 嵌合相手ハウジング型番 ; 174518
 3. 内装するリセプタクルコンタクト型番 ; 173631, 173716, 173630, 175094
 4. 適用製品規格番号 ; 108-5280

COLOR	PART NUMBER
YELLOW	174516-7
LIGHT GRAY	6-174516-6
GRAY	174516-6
BLACK	174516-2
WHITE	174516-1

GENERAL TOLERANCE	
0<* < 10	±0.2
10<* < 30	±0.25
30<* < 100	±0.3
ANGLES	±3°

THIS DRAWING IS A CONTROLLED DOCUMENT.		DWN T.SHINOHARA 09JUL10		Tyco Electronics Corporation Kawasaki, Japan	
DIMENSIONS: mm		CHK K.BETSUI 09JUL10		NAME	
TOLERANCES UNLESS OTHERWISE SPECIFIED:		APVD K.BETSUI 09JUL10		PRODUCT SPEC	
0 PLC ±-		SEE NOTE 4		APPLICATION SPEC	
1 PLC ±-		-		SIZE	
2 PLC ±-		-		CAGE CODE	
3 PLC ±-		-		DRAWING NO	
4 PLC ±-		-		RESTRICTED TO	
ANGLES ±-		-		A3 00779 C-174516	
FINISH		-		SCALE 2:1	
MATERIAL PBT		-		SHEET 1 OF 1	
-		-		REV E1	