

BRONZE GLOBE VALVE GV32B

DESCRIPTION

GV32B bronze in line stop valves, screwed type for use on steam, water, oil or air applications.

MAIN

FEATURES : Rising stem
PTFE renewable disk
High quality PTFE packing

USE: Saturated steam, condensate, water, oil, compressed air and other fluids compatible with the construction.

AVAILABLE

MODELS: GV32B

SIZES : DN1/2" - 2"

CONNECTIONS: Female screwed ISO7/1Rp(BS21)

LIMITING

CONDITIONS : Body design conditions: PN32
198°C at 14 bar
100°C at 32 bar



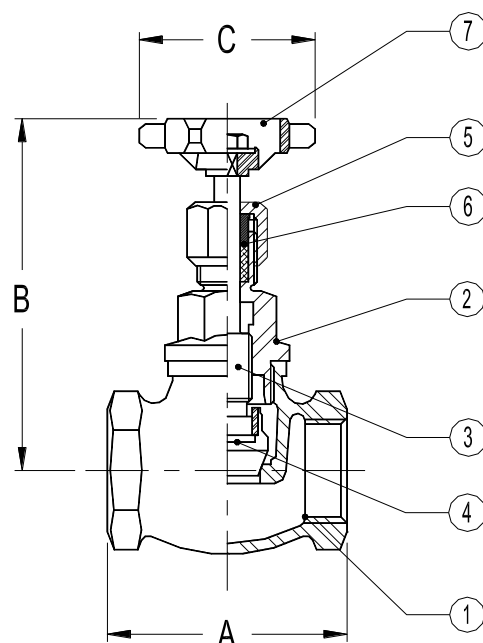
FLOW RATE COEFFICIENTS						
	SIZES					
	1/2"	3/4"	1"	1 1/4"	1 1/2"	2"
Kvs	2	5	10	16	23	42

Kvs in m³/h , see data sheet IS PV10.00 E ;

For conversion $Kvs = Cv(US) \times 0,855$

DIMENSIONS				
DN	A (mm)	B (mm)	C (mm)	Weight (Kgs)
1/2"	57	95	75	0,39
3/4"	65	98	75	0,55
1"	78	114	85	0,85
1 1/4"	89	138	95	1,36
1 1/2"	100	159	105	1,76
2"	121	170	120	2,62

MATERIALS		
POS.	DESIGNATION	MATERIAL
1	Valve Body	Bronze
2	Bonnet	Forged brass
3	Stem	Brass
4	Disk	Glass filled PTFE
5	Disk nut	Brass
6	Packing	PTFE
7	Handwheel	Aluminium



CE MARKING (PED-European Directive 97/23/EC)	
PN 32	Category
DN 1/2" to 1 1/4"	SEP-art.3, paragraph 3
DN 1 1/2" and DN 2"	Cat. 1 (CE Marked)