

Preparation of compressed air → Maintenance units and components

Filter pressure regulator, Series NL4-FRE

▶ G 3/8 - G 3/4 ▶ filter porosity: 5 µm ▶ with pressure gauge ▶ ATEX certified



00106912

ATEX	II 2G2D X
Maintenance Unit	2-in-1, Can be assembled into blocks
Parts	Filter, Pressure controller
Regulator type	Diaphragm-type pressure regulator
Regulator function	with relieving air exhaust
Pressure supply	single
Installation location	vertical
Nominal flow Qn	3500 l/min
Ambient temperature min./max.	-10 °C / +60 °C
Medium temperature min./max.	-10 °C / +60 °C
Working pressure min./max.	1.5 bar / 16 bar
Adjustment range min./max.	0.5 bar / 10 bar
Medium	Compressed air
Filter element	exchangeable
Filter reservoir volume	50 cm ³
Condensate drain	See table below
Materials:	
Housing	Die cast zinc
Cover	Acrylonitrile butadiene styrene
Seal	Acrylonitrile Butadiene Rubber
Filter insert	Polyethylene

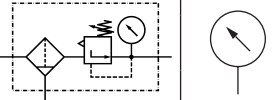
Technical Remarks

- The pressure dew point must be at least 15 °C under ambient and medium temperature and may not exceed 3 °C.
- max. particle count as per ISO 8573-4 at the outlet: 5 mg/m³

Preparation of compressed air → Maintenance units and components

Filter pressure regulator, Series NL4-FRE

► G 3/8 - G 3/4 ► filter porosity: 5 µm ► with pressure gauge ► ATEX certified

		Port	Condensate drain	Note	Weight [kg]	Part No.
		G 3/8	semi-automatic, open without pressure	1)	1.19	0821300370
		G 3/8	semi-automatic, open without pressure	1); 3)	1.282	0821300371
		G 3/8	semi-automatic, open without pressure	2)	1.406	0821300372
		G 3/8	fully automatic, open without pressure	1)	1.256	0821300373
		G 3/8	fully automatic, open without pressure	1); 3)	1.346	0821300374
		G 3/8	fully automatic, open without pressure	2)	2.868	0821300375
		G 1/2	semi-automatic, open without pressure	1)	1.19	0821300350
		G 1/2	semi-automatic, open without pressure	1); 3)	1.282	0821300351
		G 1/2	semi-automatic, open without pressure	2)	1.406	0821300352
		G 1/2	fully automatic, open without pressure	1)	1.256	0821300353
		G 1/2	fully automatic, open without pressure	1); 3)	1.346	0821300354
		G 1/2	fully automatic, open without pressure	2)	1.472	0821300355
		G 3/4	semi-automatic, open without pressure	1)	1.19	0821300380
		G 3/4	semi-automatic, open without pressure	1); 3)	1.282	0821300381
		G 3/4	semi-automatic, open without pressure	2)	1.406	0821300382
		G 3/4	fully automatic, open without pressure	1)	1.256	0821300383
		G 3/4	fully automatic, open without pressure	1); 3)	1.346	0821300384
		G 3/4	fully automatic, open without pressure	2)	1.472	0821300385

nominal flow Qn with secondary pressure 6 bar at $\Delta p = 1$ bar

Metal protective guard can be retrofitted for all polycarbonate reservoirs

1) Reservoir: Polycarbonate

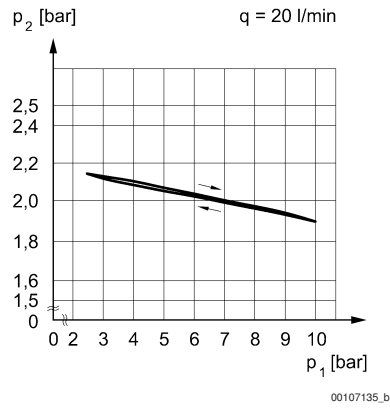
2) Reservoir: Die cast zinc with window

3) Protective guard: Steel

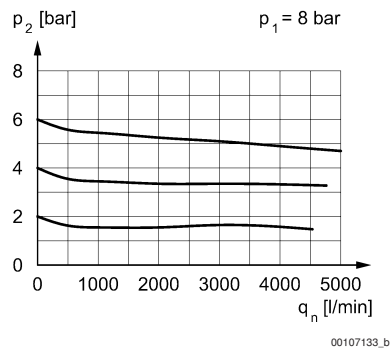
Preparation of compressed air → Maintenance units and components

Filter pressure regulator, Series NL4-FRE

▶ G 3/8 - G 3/4 ▶ filter porosity: 5 μm ▶ with pressure gauge ▶ ATEX certified

Pressure characteristics curve

p_1 = working pressure; p_2 = secondary pressure; q = flow rate

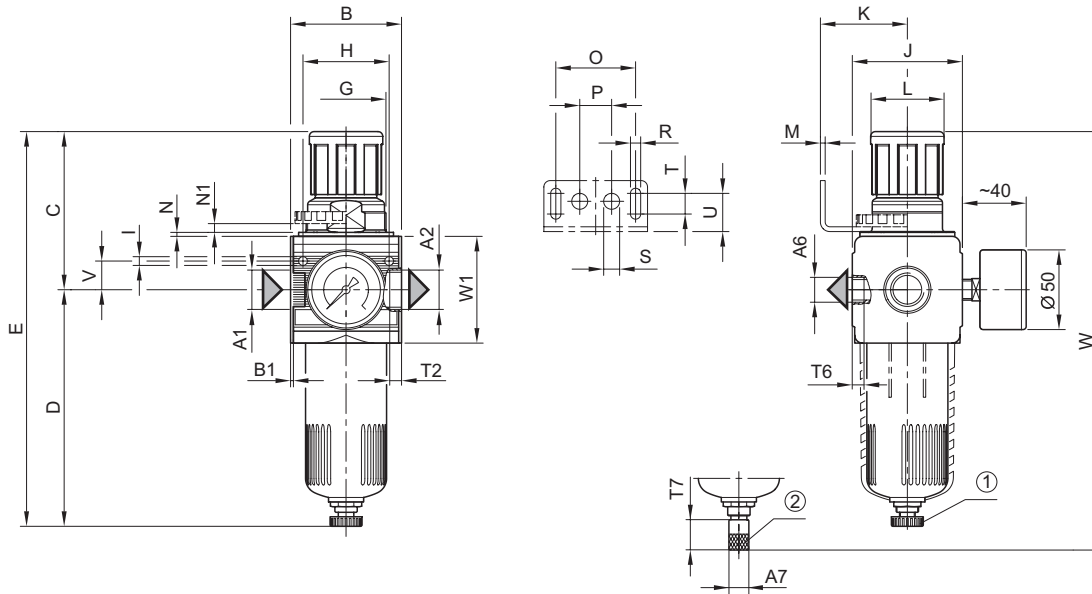
Flow rate characteristic

p_1 = working pressure; p_2 = secondary pressure; q_n = nominal flow

Preparation of compressed air → Maintenance units and components

Filter pressure regulator, Series NL4-FRE

▶ G 3/8 - G 3/4 ▶ filter porosity: 5 µm ▶ with pressure gauge ▶ ATEX certified

Dimensions

- 1) semi-automatic condensate drain
2) fully automatic condensate drain

00107269

A1	A2	A6	A7	B	B1	C	D	E	G	H	I	J	
G 3/8	G 3/8	G 1/4	G 1/8	69.6	1.8	98.3	146.5	244.8	M50x1,5	54	5.5	69	
G 1/2	G 1/2	G 1/4	G 1/8	69.6	1.8	98.3	146.5	244.8	M50x1,5	54	5.5	69	
G 3/4	G 3/4	G 1/4	G 1/8	69.6	1.8	98.3	146.5	244.8	M50x1,5	54	5.5	69	
A1	K	L	M	N	N1	O	P	R	S	T	T2	T6	T7
G 3/8	54.5	46	3	3	5.5	50	20	6.4	10	13	13	7	8.5
G 1/2	54.5	46	3	3	5.5	50	20	6.4	10	13	13	7	8.5
G 3/4	54.5	46	3	3	5.5	50	20	6.4	10	13	13	7	8.5
A1	U	V	W	W1									
G 3/8	24	18	262.8	67									
G 1/2	24	18	262.8	67									
G 3/4	24	18	262.8	67									