

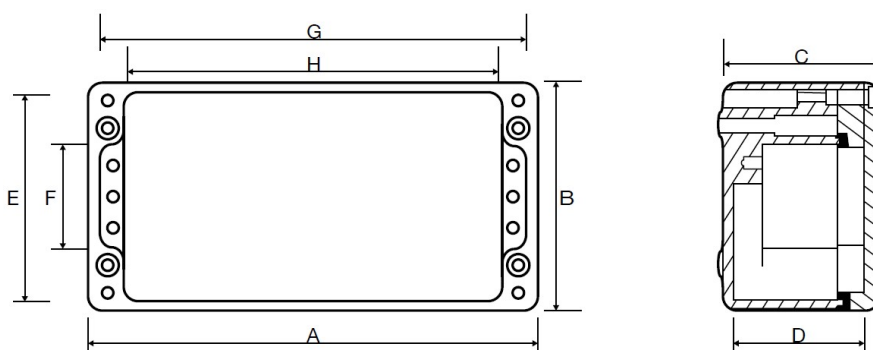


Stock, Pre-assembled. IP66 Polyester (GRP) IECEx Junction Boxes for EX e *Increased Safety* applications.

CE-TEK's CEP black polyester (GRP) enclosures are available in 5 popular sizes and various terminal configurations to meet our customers' urgent "IECEx" Certified Ex / Hazardous Area requirements.

All pre-assembled enclosures comply with current EN 60079:2007 Ex e requirements and are Rated to IP66 and T6 (T85°C) or T5 (100°C) temperature ratings

Ex Certified: - IECEx certificate number IECEx SIR 13.0039X



IECEx / EX e

RS Stock No.	A (mm)	B (mm)	C (mm)	D (mm)	E (mm)	F (mm)	G (mm)	H (mm)
184-0845	80	75	55	46	66	27	71	56
184-0846	122	120	90	81.5	111	66	113	90
184-0847	160	160	90	80	148	90	148	120
184-0848	260	160	90	80	148	90	90	220
184-0855	255	250	120	110	238	180	243	215



RS Article No. 184-0845

RS Article No. 184-0846

RS Article No. 184-0847

RS Article No. 184-0848

RS Article No. 184-0855

Machined & Assembled with.

- Size 85 x 75 x 55mm
- 2xM20 Cable entries
- 5x4mm² Terminals, numbered & fitted to TS15 DIN Rail
- 1x4mm² Earth Terminal
- Earth Continuity Plate
- M6 Int/Ext Earth Stud
- 2xCertified Stopping Plugs
- IECEx Certification Label

Machined & Assembled with.

- Size 122 x 120 x 90mm
- 4xM20 Cable entries
- 10x2.5mm² Terminals, numbered & fitted to TS35 DIN Rail
- 2x4mm² Earth Terminal
- Earth Continuity Plate
- M6 Int/Ext Earth Stud
- 4xCertified Stopping Plugs
- IECEx Certification Label

Machined & Assembled with.

- Size 160 x 160 x 90mm
- 4xM20 Cable entries
- 15x2.5mm² Terminals, numbered & fitted to TS35 DIN Rail
- 2x4mm² Earth Terminal
- Earth Continuity Plate
- M6 Int/Ext Earth Stud
- 4xCertified Stopping Plugs
- IECEx Certification Label

Machined & Assembled with.

- Size 260 x 160 x 90mm
- 10xM20 Cable entries
- 26x2.5mm² Terminals, numbered & fitted to TS35 DIN Rail
- 2x4mm² Earth Terminal
- Earth Continuity Plate
- M6 Int/Ext Earth Stud
- 10xCertified Stopping Plugs
- IECEx Certification Label

Machined & Assembled with.

- Size 255 x 250 x 120mm
- 10xM20 & 2xM25 entries
- 40 (2x20) 2.5mm² Terminals, numbered & fitted to T35 DIN Rail
- 4x4mm² Earth Terminal
- Earth Continuity Plate
- M6 Int/Ext Earth Stud
- 12xCertified Stopping Plugs
- IECEx Certification Label