



Main

Commercial Status	Commercialised
Range of product	Zelio Logic
Product or component type	GSM modem
Type of modem	Type quad band 900/1800 MHz, 850/1900 MHz
Data backed up	Flash memory

Complementary

Kit composition	1 antenna with cable 1 supply cable 2 lugs for plate mounting Fixing on DIN rail (assembled with the GSM modem) GSM modem
Function available	Send alarm/receive instruction Send alarm to e-mail address Transfer program Update firmware monitoring
Number of messages	<= 28
Electrical data recording	Date and time Discrete and digital value Telephone/E-mail
[Us] rated supply voltage	12...24 V DC
Supply voltage limits	5.5...32 V
Supply current	<= 2100 mA 5.5 V 87 A 24 V 165 mA 12 V
Power dissipation in W	2.1 W
Associated fuse rating	2.5 A
Electrical connection	Supply cable 1 cable Com-Z Com-Z specific to Zelio, specific Zelio communication protocol for Zelio Logic smart relays SR.B..... and SR2 E..... Version (>= V3.1) 1 cable 1 antenna with cable 1 cable Com-M Com-M specific to Zelio RS232 serial, specific Zelio communication protocol for link with the modem, AT commands
Cable length	2.5 m antenna with cable 1.5 m supply cable
Insulation	By the cable SR2 CBL07, connector type: Com-M specific to Zelio 1780 V optocoupler, connector type: Com-Z specific to Zelio
Connections - terminals	Screw terminals, 2 x 0.25...2 x 1.5 mm ² , 23...16, solid cable Screw terminals, 1 x 0.25...1 x 2.5 mm ² , 24...14, solid cable Screw terminals, 1 x 0.25...1 x 2.5 mm ² , 24...14, semi-solid cable Screw terminals, 2 x 0.25...2 x 0.75 mm ² , 24...18, flexible cable with cable end Screw terminals, 1 x 0.25...1 x 2.5 mm ² , 24...14, flexible cable with cable end
Tightening torque	0.5 N.m
Product weight	0.335 kg

The information provided in this documentation contains general descriptions and/or technical characteristics of the performance of the products contained herein. This documentation is not intended as a substitute for and is not to be used for determining suitability or reliability of these products for specific user applications. It is the duty of any such user or integrator to perform the appropriate and complete risk analysis, evaluation and testing of the products with respect to the relevant specific application or use thereof. Neither Schneider Electric Industries SAS nor any of its affiliates or subsidiaries shall be responsible or liable for misuse of the information contained herein.

Environment

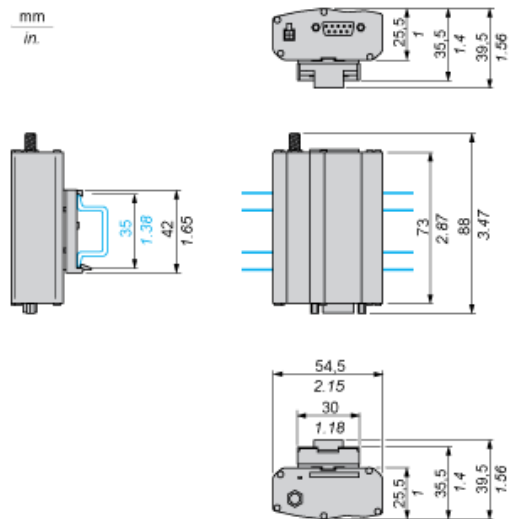
Product certifications	CSA C-Tick FCC part 15 standard GOST IC PTCRB UL
Standards	EN/IEC 60068-2-32 EN/IEC 60068-2-6 Fc
IP degree of protection	IP31 conforming to IEC 60529
Environmental characteristic	R and TTE directive conforming to ETSI EN 301 511 R and TTE directive conforming to ETSI EN 301 489-7 R and TTE directive conforming to ETSI EN 301419-1 Low voltage directive conforming to EN/IEC 60950-1 EMC directive conforming to EN 301489-1
Disturbance radiated/conducted	Class B conforming to EN 55022-11 group 1
Pollution degree	2 conforming to EN/IEC 61131-2
Ambient air temperature for operation	-20...55 °C conforming to IEC 60068-2-1 and IEC 60068-2-2
Ambient air temperature for storage	-40...70 °C
Operating altitude	2000 m
Altitude transport	<= 3048 m
Relative humidity	95 % without condensation during storage 95 % at 55 °C without condensation

Offer Sustainability

Sustainable offer status	Not Green Premium product
RoHS	Compliant - since 0626 - Schneider Electric declaration of conformity

GSM Modem

Rail Mounting



Screw Fixing

