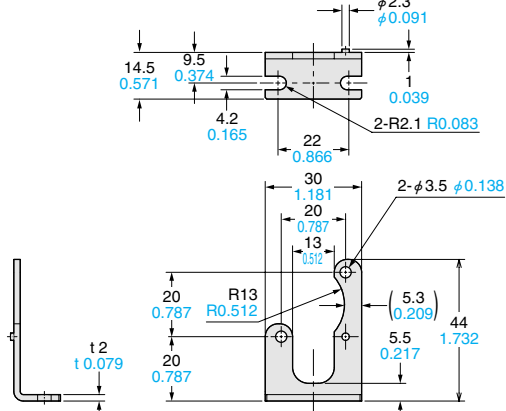


DIMENSIONS (Unit: mm in)

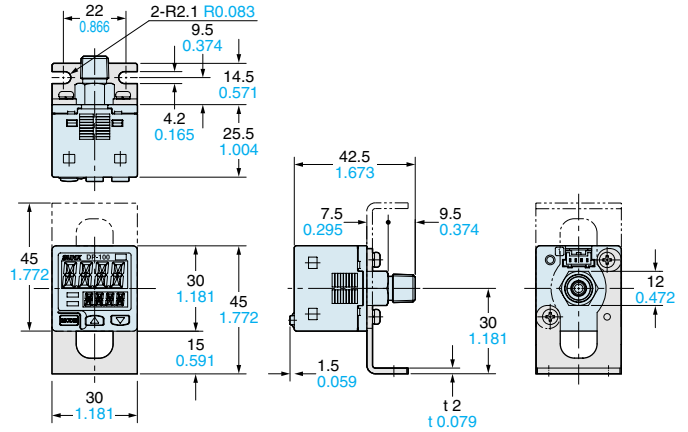
The CAD data in the dimensions can be downloaded from the SUNX website: <http://www.sunx.com>

MS-DP1-1 Sensor mounting bracket (Optional)

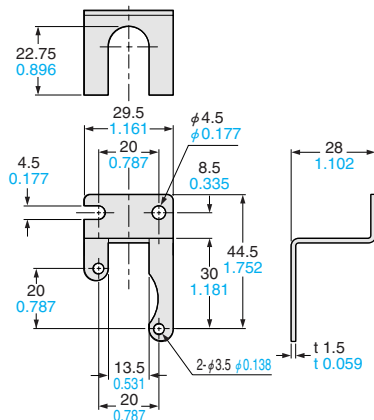


Material: Cold rolled carbon steel (SPCC)
(Uni-chrome plated)
Two M3 (length 6 mm 0.236 in) screws with washers are attached.

Assembly dimensions Mounting drawing with DP-10□

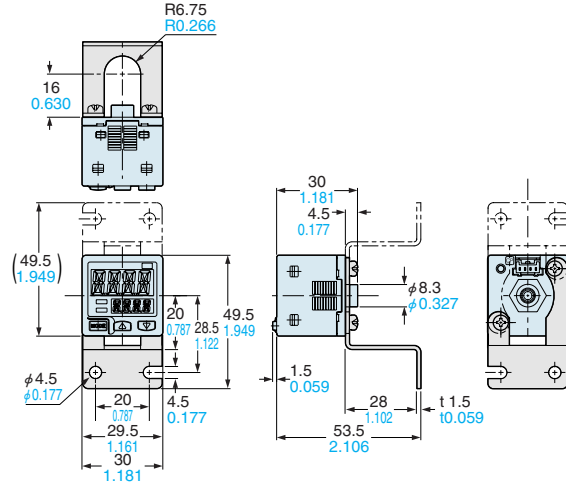


MS-DP1-5 Sensor mounting bracket (Optional)



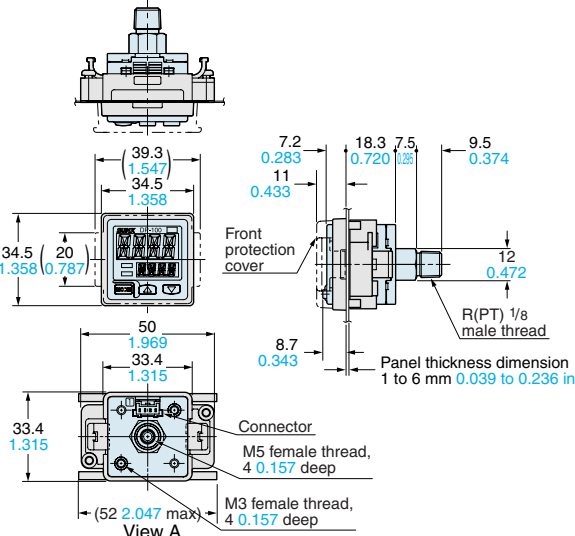
Material: Cold rolled carbon steel (SPCC)
(Uni-chrome plated)
Two M3 (length 6 mm 0.236 in) screws with washers are attached.

Assembly dimensions Mounting drawing with DP-10□-M



MS-DP1-2 MS-DP1-3 Panel mounting bracket (Optional), Front protection cover (Optional)

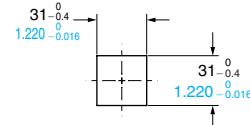
Assembly dimensions Mounting drawing with DP-10□



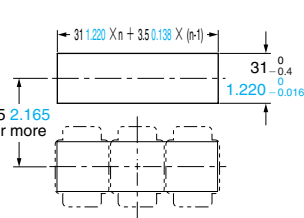
Material: POM (Panel mounting bracket)
Polycarbonate (Front protection cover)

Panel cut-out dimensions

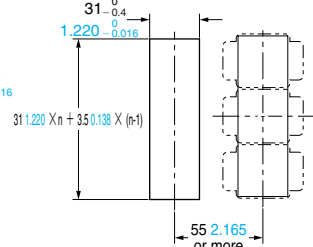
When 1 unit is installed



When "n" units are installed horizontally in series



When "n" units are installed vertically in series



Note: The panel thickness should be 1 to 6 mm 0.039 to 0.236 in.

Note: The panel thickness should be 1 to 6 mm 0.039 to 0.236 in.