

Features

- Thin small outline package (TSOP) I package configurable as 512K × 16 or 1M × 8 static RAM (SRAM)
- High speed: 45 ns
- Temperature ranges
 - Industrial: -40 °C to +85 °C
 - Automotive-A: -40 °C to +85 °C
 - Automotive-E: -40 °C to +125 °C
- Wide voltage range: 2.20 V to 3.60 V
- Pin compatible with CY62157DV30
- Ultra low standby power
 - Typical standby current: 2 μA
 - Maximum standby current: 8 μA (Industrial)
- Ultra low active power
 - Typical active current: 1.8 mA at f = 1 MHz
- Easy memory expansion with \overline{CE}_1 , CE_2 , and \overline{OE} features
- Automatic power down when deselected
- Complementary Metal Oxide Semiconductor (CMOS) for optimum speed and power
- Available in Pb-free and non Pb-free 48-ball very fine-pitch ball grid array (VFBGA), Pb-free 44-pin thin small outline package (TSOP) II and 48-pin TSOP I packages

Functional Description

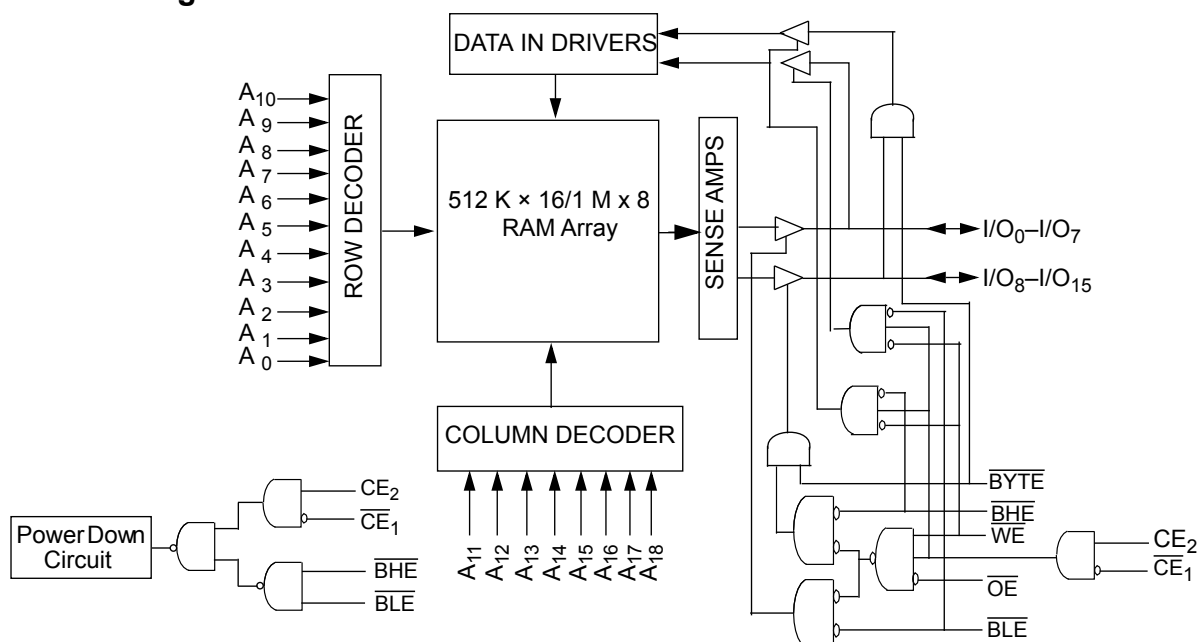
The CY62157EV30 is a high performance CMOS static RAM organized as 512K words by 16 bits. This device features advanced circuit design to provide ultra low active current. This is ideal for providing More Battery Life™ (MoBL®) in portable applications such as cellular telephones. The device also has an automatic power down feature that significantly reduces power consumption when addresses are not toggling. Place the device into standby mode when deselected (\overline{CE}_1 HIGH or CE_2 LOW or both \overline{BHE} and \overline{BLE} are HIGH). The input or output pins (I/O₀ through I/O₁₅) are placed in a high impedance state when the device is deselected (\overline{CE}_1 HIGH or CE_2 LOW), the outputs are disabled (\overline{OE} HIGH), Byte High Enable and Byte Low Enable are disabled (\overline{BHE} , \overline{BLE} HIGH), or a write operation is active (CE_1 LOW, CE_2 HIGH and \overline{WE} LOW).

To write to the device, take Chip Enable (\overline{CE}_1 LOW and CE_2 HIGH) and Write Enable (\overline{WE}) inputs LOW. If Byte Low Enable (\overline{BLE}) is LOW, then data from I/O pins (I/O₀ through I/O₇) is written into the location specified on the address pins (A₀ through A₁₈). If Byte High Enable (\overline{BHE}) is LOW, then data from I/O pins (I/O₈ through I/O₁₅) is written into the location specified on the address pins (A₀ through A₁₈).

To read from the device, take Chip Enable (\overline{CE}_1 LOW and CE_2 HIGH) and Output Enable (\overline{OE}) LOW while forcing the Write Enable (\overline{WE}) HIGH. If Byte Low Enable (\overline{BLE}) is LOW, then data from the memory location specified by the address pins appear on I/O₀ to I/O₇. If Byte High Enable (\overline{BHE}) is LOW, then data from memory appears on I/O₈ to I/O₁₅. See Truth Table on page 13 for a complete description of read and write modes.

For a complete list of related documentation, [click here](#).

Logic Block Diagram



Contents

| | | | |
|---|-----------|--|-----------|
| Pin Configurations | 3 | Ordering Information | 14 |
| Product Portfolio | 3 | Ordering Code Definitions | 14 |
| Maximum Ratings | 4 | Package Diagrams | 15 |
| Operating Range | 4 | Acronyms | 18 |
| Electrical Characteristics | 4 | Document Conventions | 18 |
| Capacitance | 5 | Units of Measure | 18 |
| Thermal Resistance | 5 | Document History Page | 19 |
| AC Test Loads and Waveforms | 5 | Sales, Solutions, and Legal Information | 21 |
| Data Retention Characteristics | 6 | Worldwide Sales and Design Support | 21 |
| Data Retention Waveform | 6 | Products | 21 |
| Switching Characteristics | 7 | PSoC® Solutions | 21 |
| Switching Waveforms | 8 | Cypress Developer Community | 21 |
| Truth Table | 13 | Technical Support | 21 |

Pin Configurations

Figure 1. 48-ball VFBGA pinout (Top View) [1]

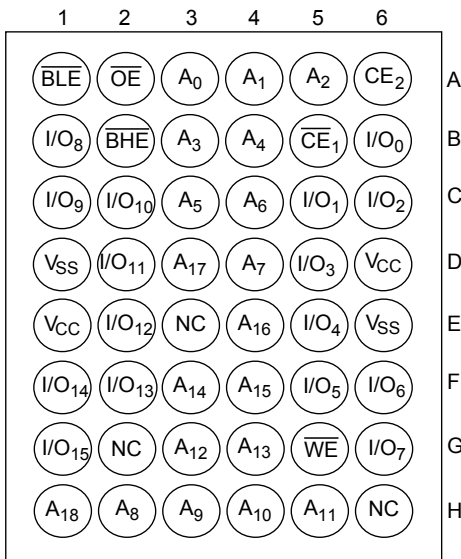


Figure 2. 44-pin TSOP II pinout (Top View) [2]

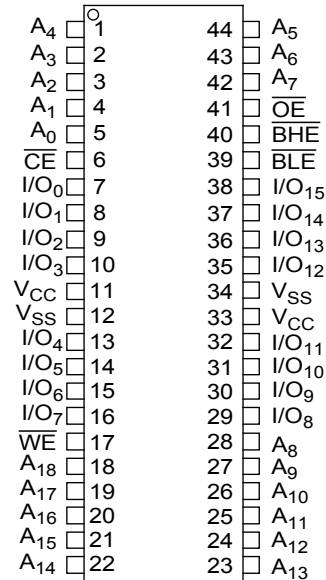
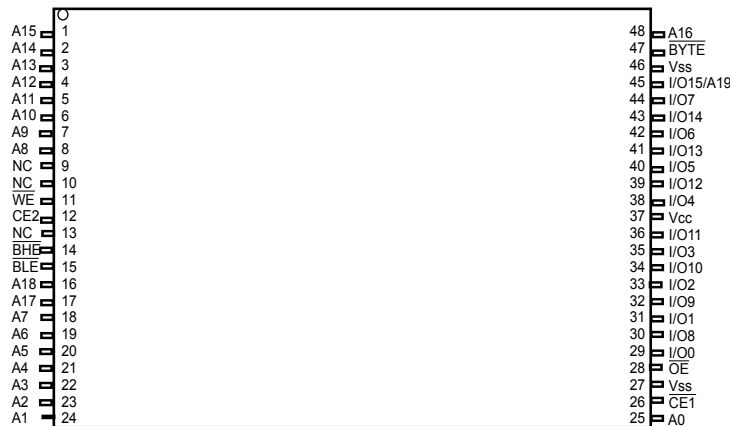


Figure 3. 48-pin TSOP I pinout (Top View) [1, 3]



Product Portfolio

| Product | Range | V _{CC} Range (V) | | | Speed (ns) | Power Dissipation | | | | | |
|---------------|-------------------------|---------------------------|---------|----------------------|------------|----------------------------------|-----|---------|-----|--------------------------------|-----|
| | | | | | | Operating I _{CC} , (mA) | | | | Standby, I _{SB2} (μA) | |
| | | f = 1 MHz | | f = f _{max} | | | | | | | |
| | | Min | Typ [4] | Max | | Typ [4] | Max | Typ [4] | Max | Typ [4] | Max |
| CY62157EV30LL | Industrial/Automotive-A | 2.2 | 3.0 | 3.6 | 45 | 1.8 | 3 | 18 | 25 | 2 | 8 |
| | Automotive-E | 2.2 | 3.0 | 3.6 | 55 | 1.8 | 4 | 18 | 35 | 2 | 30 |

Notes

- NC pins are not connected on the die.
- The 44-pin TSOP II package has only one chip enable (CE) pin.
- The BYTE pin in the 48-pin TSOP I package must be tied HIGH to use the device as a 512 K × 16 SRAM. The 48-pin TSOP I package can also be used as a 1 M × 8 SRAM by tying the BYTE signal LOW. In the 1 M × 8 configuration, Pin 45 is A19, while BHE, BLE and I/O₈ to I/O₁₄ pins are not used.
- Typical values are included for reference only and are not guaranteed or tested. Typical values are measured at V_{CC} = V_{CC(typ)}, T_A = 25 °C.

Maximum Ratings

Exceeding the maximum ratings may impair the useful life of the device. User guidelines are not tested.

Storage Temperature -65 °C to + 150 °C

Ambient Temperature
with Power Applied -55 °C to + 125 °C

Supply Voltage
to Ground Potential -0.3 V to 3.9 V ($V_{CCmax} + 0.3$ V)

DC Voltage Applied to Outputs
in High Z State ^[5, 6] -0.3 V to 3.9 V ($V_{CCmax} + 0.3$ V)

DC Input Voltage ^[5, 6] -0.3 V to 3.9 V ($V_{CCmax} + 0.3$ V)

Output Current into Outputs (LOW) 20 mA

Static Discharge Voltage
(MIL-STD-883, Method 3015) > 2001 V

Latch-Up Current > 200 mA

Operating Range

| Device | Range | Ambient Temperature | V_{CC} ^[7] |
|---------------|---------------------------|---------------------|-------------------------|
| CY62157EV30LL | Industrial / Automotive-A | -40 °C to +85 °C | 2.2 V to 3.6 V |
| | Automotive-E | -40 °C to +125 °C | |

Electrical Characteristics

Over the Operating Range

| Parameter | Description | Test Conditions | 45 ns (Industrial/Automotive-A) | | | 55 ns (Automotive-E) | | | Unit |
|--------------------------|---|--|---------------------------------|--------------------|----------------|----------------------|--------------------|----------------|---------|
| | | | Min | Typ ^[8] | Max | Min | Typ ^[8] | Max | |
| V_{OH} | Output HIGH voltage | $I_{OH} = -0.1$ mA | 2.0 | - | - | 2.0 | - | - | V |
| | | $I_{OH} = -1.0$ mA, $V_{CC} \geq 2.70$ V | 2.4 | - | - | 2.4 | - | - | V |
| V_{OL} | Output LOW voltage | $I_{OL} = 0.1$ mA | - | - | 0.4 | - | - | 0.4 | V |
| | | $I_{OL} = 2.1$ mA, $V_{CC} \geq 2.70$ V | - | - | 0.4 | - | - | 0.4 | V |
| V_{IH} | Input HIGH voltage | $V_{CC} = 2.2$ V to 2.7 V | 1.8 | - | $V_{CC} + 0.3$ | 1.8 | - | $V_{CC} + 0.3$ | V |
| | | $V_{CC} = 2.7$ V to 3.6 V | 2.2 | - | $V_{CC} + 0.3$ | 2.2 | - | $V_{CC} + 0.3$ | V |
| V_{IL} | Input LOW voltage | $V_{CC} = 2.2$ V to 2.7 V | -0.3 | - | 0.6 | -0.3 | - | 0.6 | V |
| | | $V_{CC} = 2.7$ V to 3.6 V | -0.3 | - | 0.8 | -0.3 | - | 0.8 | V |
| I_{IX} | Input leakage current | $GND \leq V_I \leq V_{CC}$ | -1 | - | +1 | -4 | - | +4 | μ A |
| I_{OZ} | Output leakage current | $GND \leq V_O \leq V_{CC}$, Output Disabled | -1 | - | +1 | -4 | - | +4 | μ A |
| I_{CC} | V_{CC} operating supply current | $f = f_{max} = 1/t_{RC}$ $V_{CC} = V_{CCmax}$ | - | 18 | 25 | - | 18 | 35 | mA |
| | | $f = 1$ MHz $I_{OUT} = 0$ mA CMOS levels | - | 1.8 | 3 | - | 1.8 | 4 | |
| I_{SB1} ^[9] | Automatic CE power down current – CMOS inputs | $\overline{CE}_1 \geq V_{CC} - 0.2$ V or $CE_2 \leq 0.2$ V or $(\overline{BHE}$ and $\overline{BLE}) \geq V_{CC} - 0.2$ V, $V_{IN} \geq V_{CC} - 0.2$ V, $V_{IN} \leq 0.2$ V $f = f_{max}$ (Address and Data Only), $f = 0$ (\overline{OE} and \overline{WE}), $V_{CC} = 3.60$ V | - | 2 | 8 | - | 2 | 30 | μ A |
| I_{SB2} ^[9] | Automatic CE power down current – CMOS inputs | $\overline{CE}_1 \geq V_{CC} - 0.2$ V or $CE_2 \leq 0.2$ V or $(\overline{BHE}$ and $\overline{BLE}) \geq V_{CC} - 0.2$ V, $V_{IN} \geq V_{CC} - 0.2$ V or $V_{IN} \leq 0.2$ V, $f = 0$, $V_{CC} = 3.60$ V | - | 2 | 8 | - | 2 | 30 | μ A |

Notes

- $V_{IL(min)}$ = -2.0 V for pulse durations less than 20 ns.
- $V_{IH(max)}$ = $V_{CC} + 0.75$ V for pulse durations less than 20 ns.
- Full device AC operation assumes a 100 μ s ramp time from 0 to $V_{CC(min)}$ and 200 μ s wait time after V_{CC} stabilization.
- Typical values are included for reference only and are not guaranteed or tested. Typical values are measured at $V_{CC} = V_{CC(typ)}$, $T_A = 25$ °C.
- Chip enables (CE_1 and CE_2), byte enables (BHE and BLE) and BYTE (48-pin TSOP I only) need to be tied to CMOS levels to meet the $I_{SB1} / I_{SB2} / I_{CCDR}$ spec. Other inputs can be left floating.

Capacitance

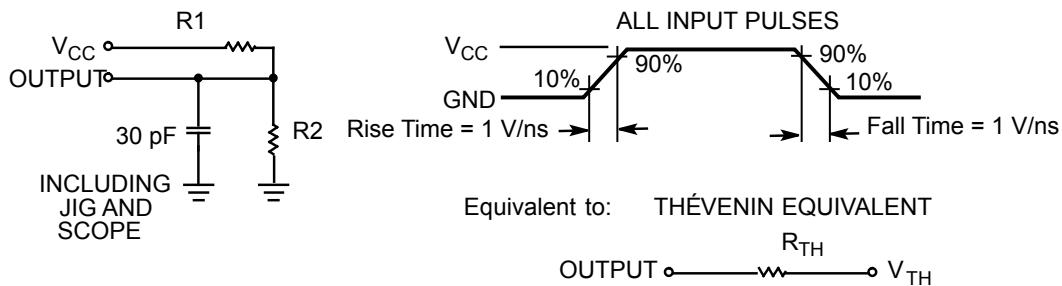
| Parameter ^[10] | Description | Test Conditions | Max | Unit |
|---------------------------|--------------------|---|-----|------|
| C _{IN} | Input capacitance | T _A = 25 °C, f = 1 MHz, V _{CC} = V _{CC(typ)} | 10 | pF |
| C _{OUT} | Output capacitance | | 10 | pF |

Thermal Resistance

| Parameter ^[10] | Description | Test Conditions | 48-ball BGA | 48-pin TSOP I | 44-pin TSOP II | Unit |
|---------------------------|--|---|-------------|---------------|----------------|------|
| Θ _{JA} | Thermal resistance (junction to ambient) | Still air, soldered on a 3 × 4.5 inch, four-layer printed circuit board | 48.34 | 55.47 | 55.84 | °C/W |
| Θ _{JC} | Thermal resistance (junction to case) | | 8.78 | 4.08 | 15.79 | °C/W |

AC Test Loads and Waveforms

Figure 4. AC Test Loads and Waveforms



| Parameters | 2.5 V | 3.0 V | Unit |
|-----------------|-------|-------|------|
| R ₁ | 16667 | 1103 | Ω |
| R ₂ | 15385 | 1554 | Ω |
| R _{TH} | 8000 | 645 | Ω |
| V _{TH} | 1.20 | 1.75 | V |

Note

10. Tested initially and after any design or process changes that may affect these parameters.

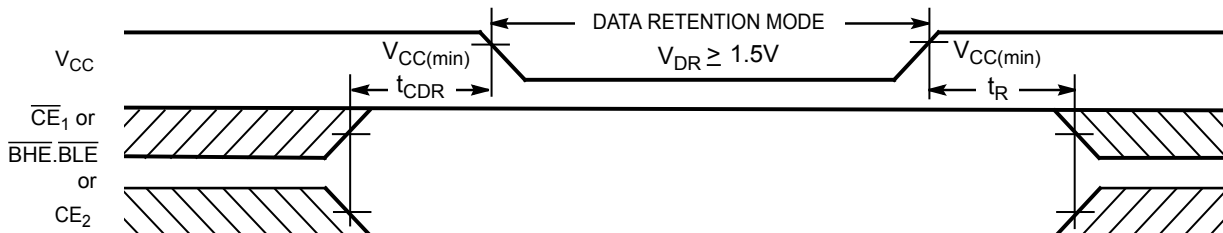
Data Retention Characteristics

Over the Operating Range

| Parameter | Description | Conditions | Min | Typ ^[11] | Max | Unit |
|----------------------------|--------------------------------------|---|---------------------------|---------------------|-----|---------------|
| V_{DR} | V_{CC} for data retention | | 1.5 | – | – | V |
| I_{CCDR} ^[12] | Data retention current | $V_{CC} = 1.5\text{ V}$, $\overline{CE}_1 \geq V_{CC} - 0.2\text{ V}$, $CE_2 \leq 0.2\text{ V}$, $(\overline{BHE}\text{ and } \overline{BLE}) \geq V_{CC} - 0.2\text{ V}$, $V_{IN} \geq V_{CC} - 0.2\text{ V}$ or $V_{IN} \leq 0.2\text{ V}$ | – | 2 | 5 | μA |
| | | | Industrial / Automotive-A | – | – | |
| t_{CDR} ^[13] | Chip deselect to data retention time | | 0 | – | – | ns |
| t_R ^[14] | Operation recovery time | CY62157EV30LL-45 | 45 | – | – | ns |
| | | CY62157EV30LL-55 | 55 | – | – | |

Data Retention Waveform

Figure 5. Data Retention Waveform^[15]



Notes

11. Typical values are included for reference only and are not guaranteed or tested. Typical values are measured at $V_{CC} = V_{CC(\text{typ})}$, $T_A = 25^\circ\text{C}$.
12. Chip enables (\overline{CE}_1 and CE_2), byte enables (\overline{BHE} and \overline{BLE}) and \overline{BYTE} (48-pin TSOP I only) need to be tied to CMOS levels to meet the $I_{SB1} / I_{SB2} / I_{CCDR}$ spec. Other inputs can be left floating.
13. Tested initially and after any design or process changes that may affect these parameters.
14. Full device operation requires linear V_{CC} ramp from V_{DR} to $V_{CC(\text{min})} \geq 100\ \mu\text{s}$ or stable at $V_{CC(\text{min})} \geq 100\ \mu\text{s}$.
15. $\overline{BHE}.\overline{BLE}$ is the AND of both \overline{BHE} and \overline{BLE} . Deselect the chip by either disabling chip enable signals or by disabling both \overline{BHE} and \overline{BLE} .

Switching Characteristics

Over the Operating Range

| Parameter ^[16, 17] | Description | 45 ns (Industrial/ Automotive-A) | | 55 ns (Automotive-E) | | Unit |
|--|--|-------------------------------------|-----|----------------------|-----|------|
| | | Min | Max | Min | Max | |
| Read Cycle | | | | | | |
| t _{RC} | Read cycle time | 45 | – | 55 | – | ns |
| t _{AA} | Address to data valid | – | 45 | – | 55 | ns |
| t _{OHA} | Data hold from address change | 10 | – | 10 | – | ns |
| t _{ACE} | \overline{CE}_1 LOW and CE ₂ HIGH to data valid | – | 45 | – | 55 | ns |
| t _{DOE} | \overline{OE} LOW to data valid | – | 22 | – | 25 | ns |
| t _{LZOE} | \overline{OE} LOW to Low Z ^[18] | 5 | – | 5 | – | ns |
| t _{HZOE} | \overline{OE} HIGH to High Z ^[18, 19] | – | 18 | – | 20 | ns |
| t _{LZCE} | \overline{CE}_1 LOW and CE ₂ HIGH to Low Z ^[18] | 10 | – | 10 | – | ns |
| t _{HZCE} | \overline{CE}_1 HIGH and CE ₂ LOW to High Z ^[18, 19] | – | 18 | – | 20 | ns |
| t _{PU} | \overline{CE}_1 LOW and CE ₂ HIGH to power up | 0 | – | 0 | – | ns |
| t _{PD} | \overline{CE}_1 HIGH and CE ₂ LOW to power down | – | 45 | – | 55 | ns |
| t _{DBE} | $\overline{BLE}/\overline{BHE}$ LOW to data valid | – | 45 | – | 55 | ns |
| t _{LZBE} | $\overline{BLE}/\overline{BHE}$ LOW to Low Z ^[18, 20] | 5 | – | 10 | – | ns |
| t _{HZBE} | $\overline{BLE}/\overline{BHE}$ HIGH to High Z ^[18, 19] | – | 18 | – | 20 | ns |
| Write Cycle ^[21, 22] | | | | | | |
| t _{WC} | Write cycle time | 45 | – | 55 | – | ns |
| t _{SCE} | \overline{CE}_1 LOW and CE ₂ HIGH to write end | 35 | – | 40 | – | ns |
| t _{AW} | Address setup to write end | 35 | – | 40 | – | ns |
| t _{HA} | Address hold from write end | 0 | – | 0 | – | ns |
| t _{SA} | Address setup to write start | 0 | – | 0 | – | ns |
| t _{PWE} | \overline{WE} pulse width | 35 | – | 40 | – | ns |
| t _{BW} | $\overline{BLE}/\overline{BHE}$ LOW to write end | 35 | – | 40 | – | ns |
| t _{SD} | Data setup to write end | 25 | – | 25 | – | ns |
| t _{HD} | Data hold from write end | 0 | – | 0 | – | ns |
| t _{HZWE} | \overline{WE} LOW to High Z ^[18, 19] | – | 18 | – | 20 | ns |
| t _{LZWE} | \overline{WE} HIGH to Low Z ^[18] | 10 | – | 10 | – | ns |

Notes

16. Test conditions for all parameters other than tri-state parameters assume signal transition time of 3 ns or less, timing reference levels of $V_{CC(typ)}/2$, input pulse levels of 0 to $V_{CC(typ)}$, and output loading of the specified I_{OL}/I_{OH} as shown in the Figure 4 on page 5.
17. In an earlier revision of this device, under a specific application condition, READ and WRITE operations were limited to switching of the byte enable and/or chip enable signals as described in the Application Notes AN13842 and AN66311. However, the issue has been fixed and in production now, and hence, these Application Notes are no longer applicable. They are available for download on our website as they contain information on the date code of the parts, beyond which the fix has been in production.
18. At any temperature and voltage condition, t_{HZCE} is less than t_{LZCE}, t_{HZBE} is less than t_{LZBE}, t_{HZOE} is less than t_{LZOE}, and t_{HZWE} is less than t_{LZWE} for any device.
19. t_{HZOE}, t_{HZCE}, t_{HZBE}, and t_{HZWE} transitions are measured when the outputs enter a high-impedance state.
20. If both byte enables are toggled together, this value is 10 ns.
21. The internal write time of the memory is defined by the overlap of \overline{WE} , $\overline{CE} = V_{IL}$, \overline{BHE} , \overline{BLE} or both = V_{IL} , and CE₂ = V_{IH} . All signals must be active to initiate a write and any of these signals can terminate a write by going inactive. The data input setup and hold timing must be referenced to the edge of the signal that terminates the write.
22. The minimum write cycle time for Write Cycle No. 3 (\overline{WE} Controlled, \overline{OE} LOW) should be equal to the sum of t_{SD} and t_{HZWE}.

Switching Waveforms

Figure 6. Read Cycle No. 1 (Address Transition Controlled) [23, 24]

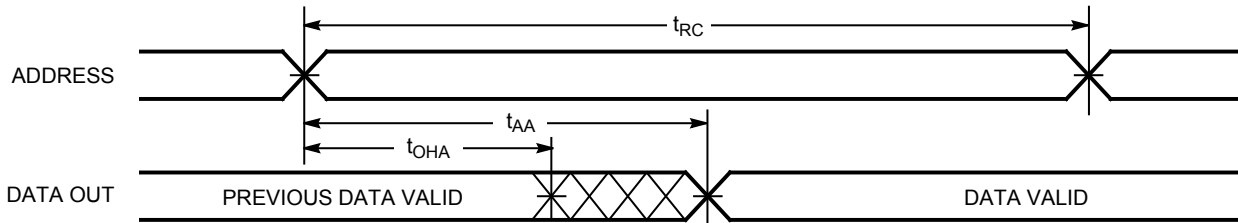
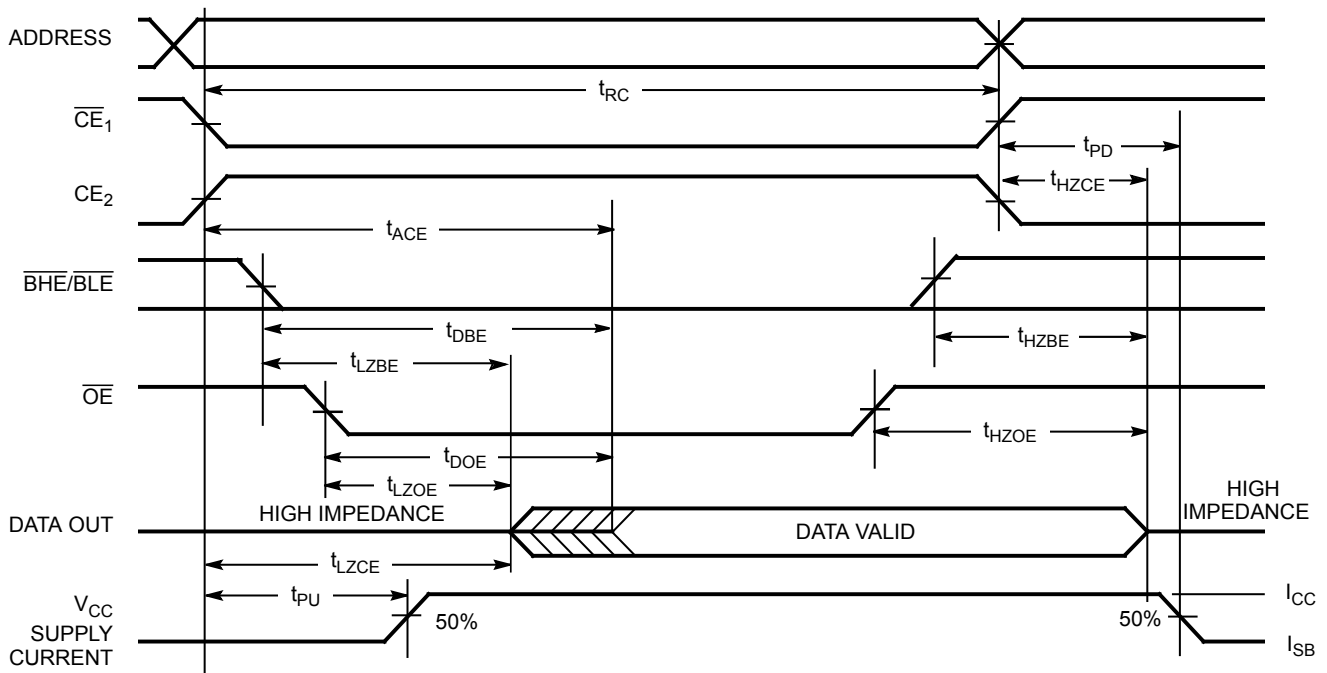


Figure 7. Read Cycle No. 2 (\overline{OE} Controlled) [24, 25]

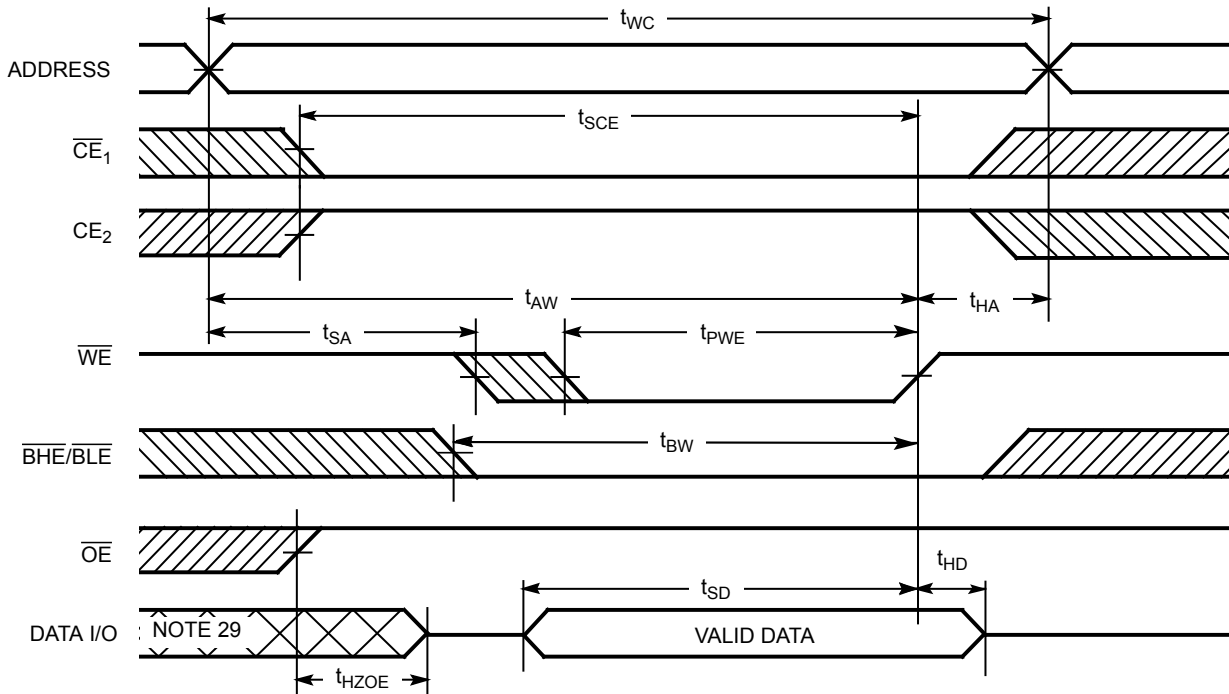


Notes

- 23. The device is continuously selected. \overline{OE} , $\overline{CE}_1 = V_{IL}$, \overline{BHE} , \overline{BLE} , or both = V_{IL} , and $CE_2 = V_{IH}$.
- 24. WE is HIGH for read cycle.
- 25. Address valid before or similar to \overline{CE}_1 , \overline{BHE} , \overline{BLE} transition LOW and CE_2 transition HIGH.

Switching Waveforms (continued)

Figure 8. Write Cycle No. 1 (\overline{WE} Controlled) [26, 27, 28]



Notes

26. The internal write time of the memory is defined by the overlap of \overline{WE} , $\overline{CE} = V_{IL}$, \overline{BHE} , \overline{BLE} or both = V_{IL} , and $CE_2 = V_{IH}$. All signals must be active to initiate a write and any of these signals can terminate a write by going inactive. The data input setup and hold timing must be referenced to the edge of the signal that terminates the write.

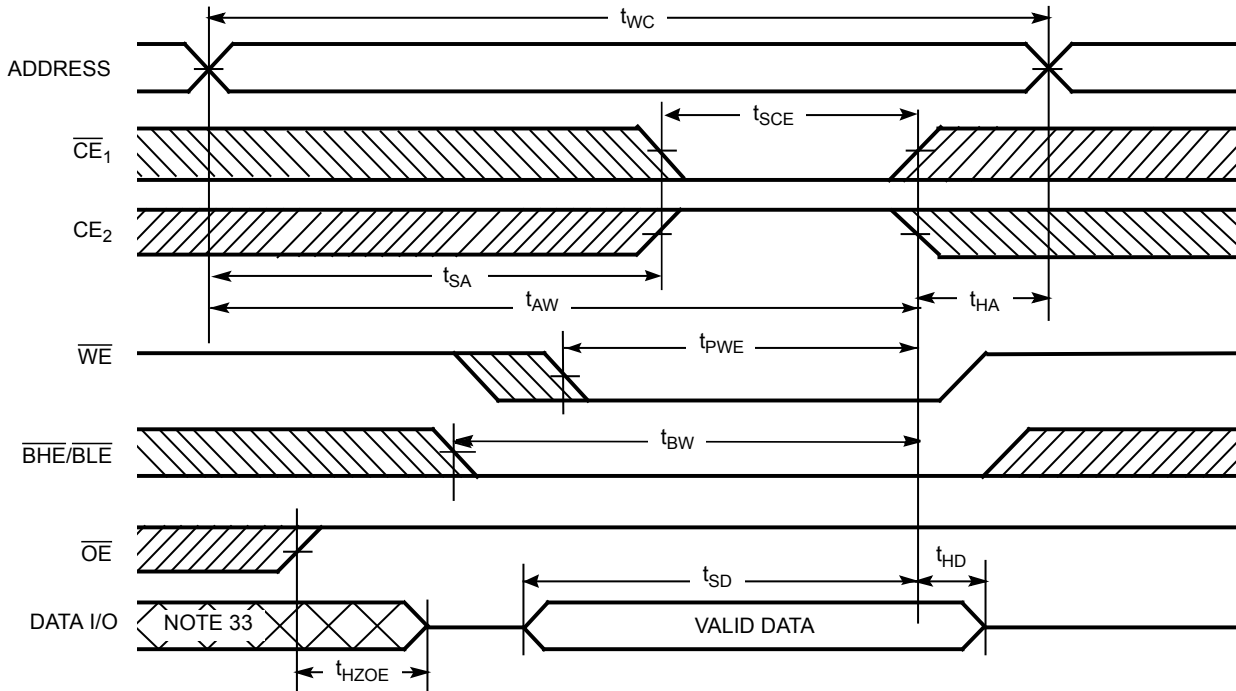
27. Data I/O is high impedance if $\overline{OE} = V_{IH}$.

28. If \overline{CE}_1 goes HIGH and CE_2 goes LOW simultaneously with $\overline{WE} = V_{IH}$, the output remains in a high impedance state.

29. During this period, the I/Os are in output state. Do not apply input signals.

Switching Waveforms (continued)

Figure 9. Write Cycle No. 2 (\overline{CE}_1 or CE_2 Controlled) [30, 31, 32]

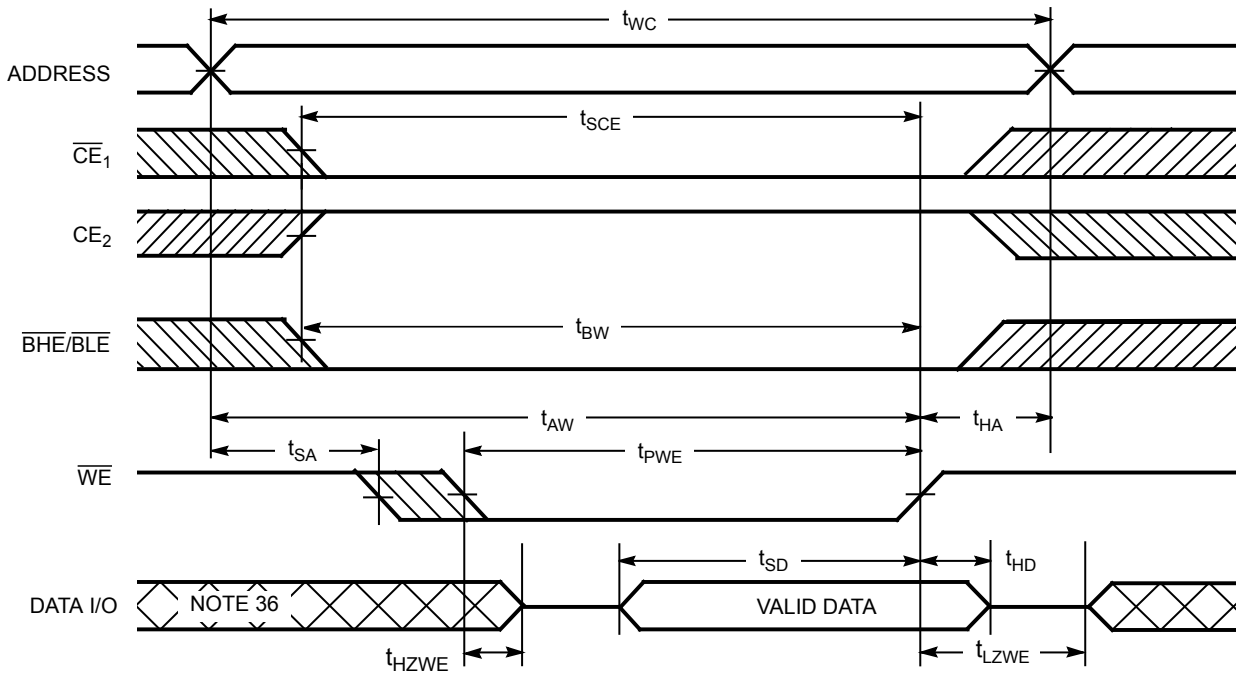


Notes

30. The internal write time of the memory is defined by the overlap of \overline{WE} , $\overline{CE} = V_{IL}$, \overline{BHE} , \overline{BLE} or both = V_{IL} , and $CE_2 = V_{IH}$. All signals must be active to initiate a write and any of these signals can terminate a write by going inactive. The data input setup and hold timing must be referenced to the edge of the signal that terminates the write.
31. Data I/O is high impedance if $\overline{OE} = V_{IH}$.
32. If \overline{CE}_1 goes HIGH and CE_2 goes LOW simultaneously with $\overline{WE} = V_{IH}$, the output remains in a high impedance state.
33. During this period, the I/Os are in output state. Do not apply input signals.

Switching Waveforms (continued)

Figure 10. Write Cycle No. 3 (\overline{WE} Controlled, \overline{OE} LOW) [34, 35]

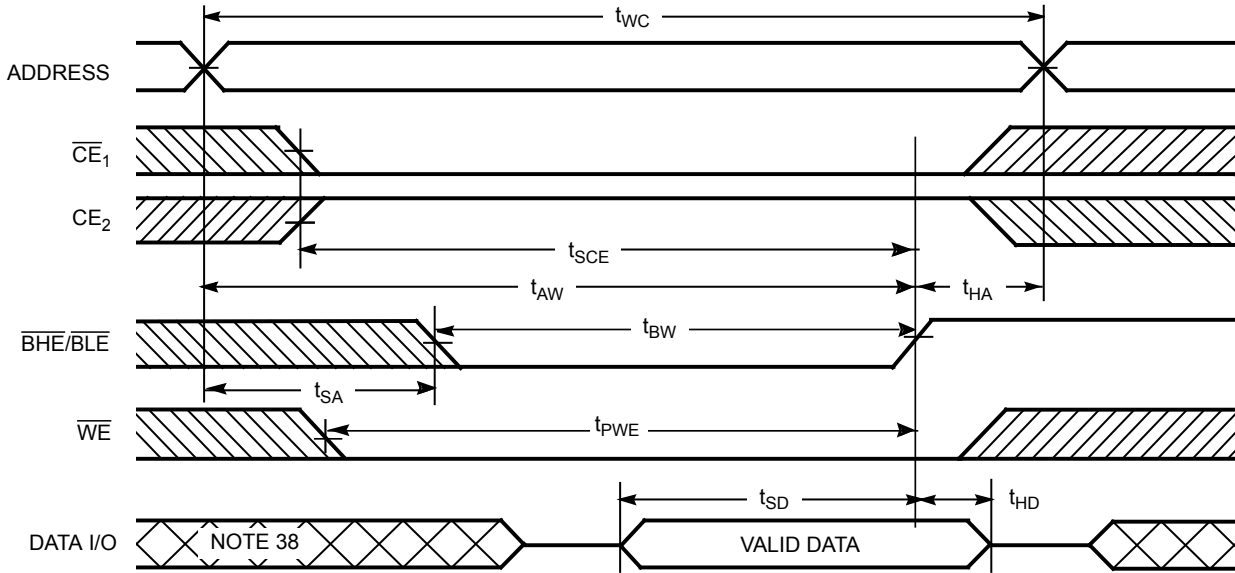


Notes

- 34. If \overline{CE}_1 goes HIGH and CE_2 goes LOW simultaneously with $\overline{WE} = V_{IH}$, the output remains in a high impedance state.
- 35. The minimum write cycle pulse width should be equal to the sum of t_{SD} and t_{HZWE} .
- 36. During this period, the I/Os are in output state. Do not apply input signals.

Switching Waveforms (continued)

Figure 11. Write Cycle No. 4 ($\overline{\text{BHE}}/\overline{\text{BLE}}$ Controlled, $\overline{\text{OE}}$ LOW) [37]



Notes

- 37. If $\overline{\text{CE}}_1$ goes HIGH and CE_2 goes LOW simultaneously with $\overline{\text{WE}} = V_{IH}$, the output remains in a high impedance state.
- 38. During this period, the I/Os are in output state. Do not apply input signals.

Truth Table

| \overline{CE}_1 | CE_2 | \overline{WE} | \overline{OE} | \overline{BHE} | \overline{BLE} | Inputs/Outputs | Mode | Power |
|-------------------|-------------------|-----------------|-----------------|------------------|------------------|--|---------------------|----------------------------|
| H | X ^[39] | X | X | X | X | High Z | Deselect/power down | Standby (I _{SB}) |
| X ^[39] | L | X | X | X | X | High Z | Deselect/power down | Standby (I _{SB}) |
| X ^[39] | X ^[39] | X | X | H | H | High Z | Deselect/power down | Standby (I _{SB}) |
| L | H | H | L | L | L | Data Out (I/O ₀ –I/O ₁₅) | Read | Active (I _{CC}) |
| L | H | H | L | H | L | Data Out (I/O ₀ –I/O ₇); High Z (I/O ₈ –I/O ₁₅) | Read | Active (I _{CC}) |
| L | H | H | L | L | H | High Z (I/O ₀ –I/O ₇); Data Out (I/O ₈ –I/O ₁₅) | Read | Active (I _{CC}) |
| L | H | H | H | L | H | High Z | Output disabled | Active (I _{CC}) |
| L | H | H | H | H | L | High Z | Output disabled | Active (I _{CC}) |
| L | H | H | H | L | L | High Z | Output disabled | Active (I _{CC}) |
| L | H | L | X | L | L | Data In (I/O ₀ –I/O ₁₅) | Write | Active (I _{CC}) |
| L | H | L | X | H | L | Data In (I/O ₀ –I/O ₇); High Z (I/O ₈ –I/O ₁₅) | Write | Active (I _{CC}) |
| L | H | L | X | L | H | High Z (I/O ₀ –I/O ₇); Data In (I/O ₈ –I/O ₁₅) | Write | Active (I _{CC}) |

Note

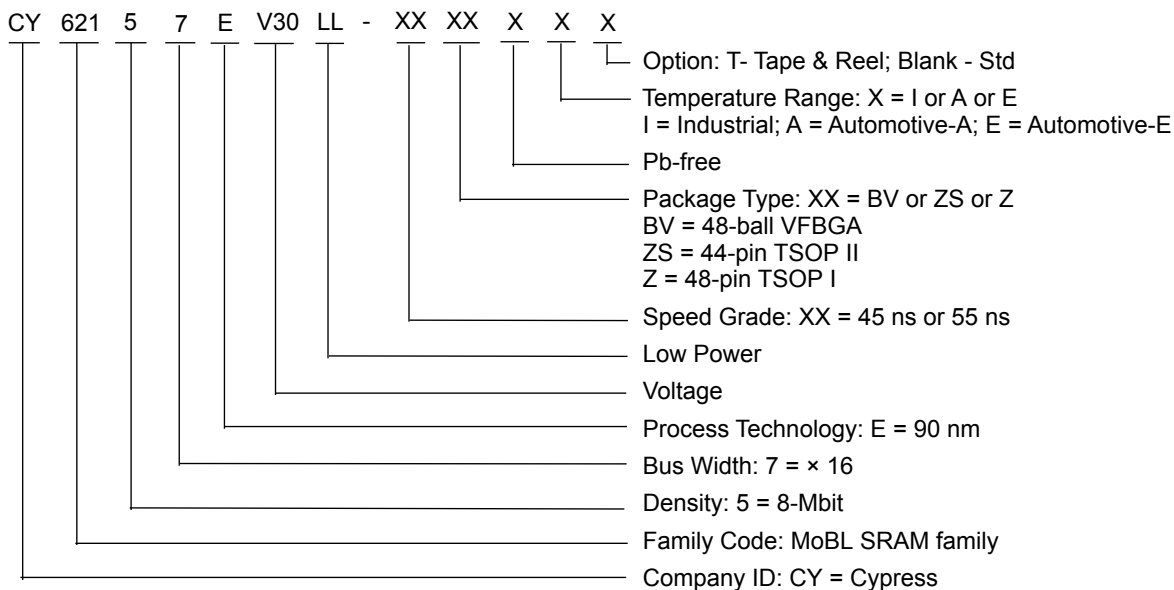
39. The 'X' (Don't care) state for the Chip enables in the truth table refer to the logic state (either HIGH or LOW). Intermediate voltage levels on these pins is not permitted.

Ordering Information

| Speed (ns) | Ordering Code | Package Diagram | Package Type | Operating Range |
|------------|-----------------------|-----------------------|-------------------------------|-------------------------------|
| 45 | CY62157EV30LL-45BVI | 51-85150 | 48-ball VFBGA | Industrial |
| | CY62157EV30LL-45BVIT | 51-85150 | 48-ball VFBGA | |
| | CY62157EV30LL-45BVXI | 51-85150 | 48-ball VFBGA (Pb-free) | |
| | CY62157EV30LL-45BVXIT | 51-85150 | 48-ball VFBGA (Pb-free) | |
| | CY62157EV30LL-45ZSXI | 51-85087 | 44-pin TSOP Type II (Pb-free) | |
| | CY62157EV30LL-45ZSXIT | 51-85087 | 44-pin TSOP Type II (Pb-free) | |
| | CY62157EV30LL-45ZXI | 51-85183 | 48-pin TSOP Type I (Pb-free) | |
| | CY62157EV30LL-45ZXIT | 51-85183 | 48-pin TSOP Type I (Pb-free) | |
| | Automotive-A | CY62157EV30LL-45BVXA | 51-85150 | 48-ball VFBGA (Pb-free) |
| | | CY62157EV30LL-45BVXAT | 51-85150 | 48-ball VFBGA (Pb-free) |
| | | CY62157EV30LL-45ZSXA | 51-85087 | 44-pin TSOP Type II (Pb-free) |
| | | CY62157EV30LL-45ZSXAT | 51-85087 | 44-pin TSOP Type II (Pb-free) |
| | | CY62157EV30LL-45ZXA | 51-85183 | 48-pin TSOP Type I (Pb-free) |
| | | CY62157EV30LL-45ZXAT | 51-85183 | 48-pin TSOP Type I (Pb-free) |
| 55 | CY62157EV30LL-55ZSXE | 51-85087 | 44-pin TSOP Type II (Pb-free) | Automotive-E |
| | CY62157EV30LL-55ZSXET | 51-85087 | 44-pin TSOP Type II (Pb-free) | |
| | CY62157EV30LL-55ZXE | 51-85183 | 48-pin TSOP Type I (Pb-free) | |
| | CY62157EV30LL-55ZXET | 51-85183 | 48-pin TSOP Type I (Pb-free) | |

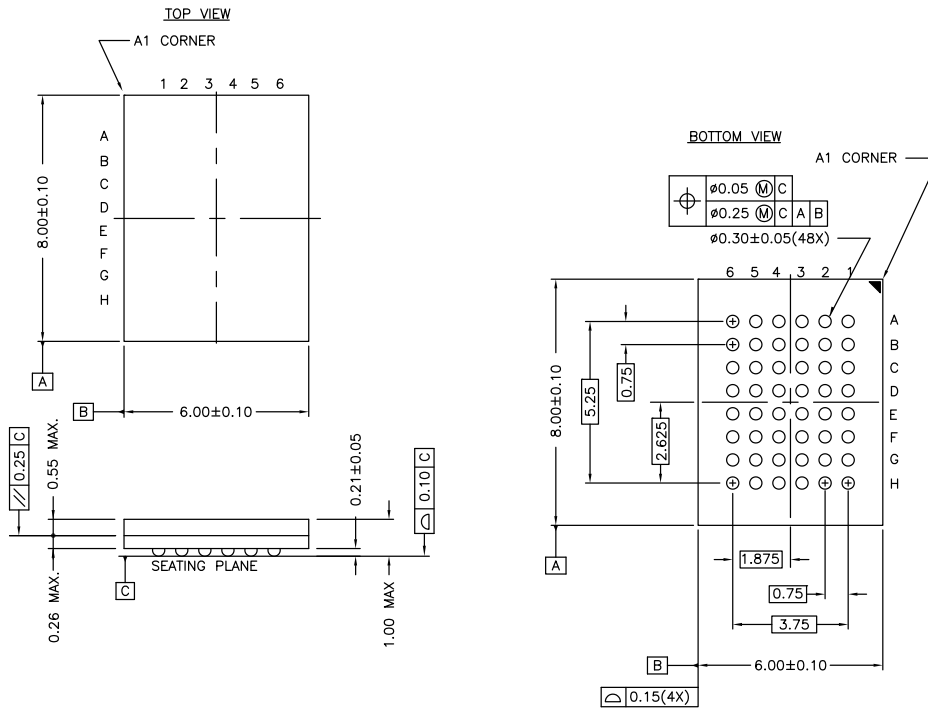
Contact your local Cypress sales representative for availability of these parts.

Ordering Code Definitions



Package Diagrams

Figure 12. 48-pin VFBGA (6 × 8 × 1.0 mm) Package Outline, 51-85150

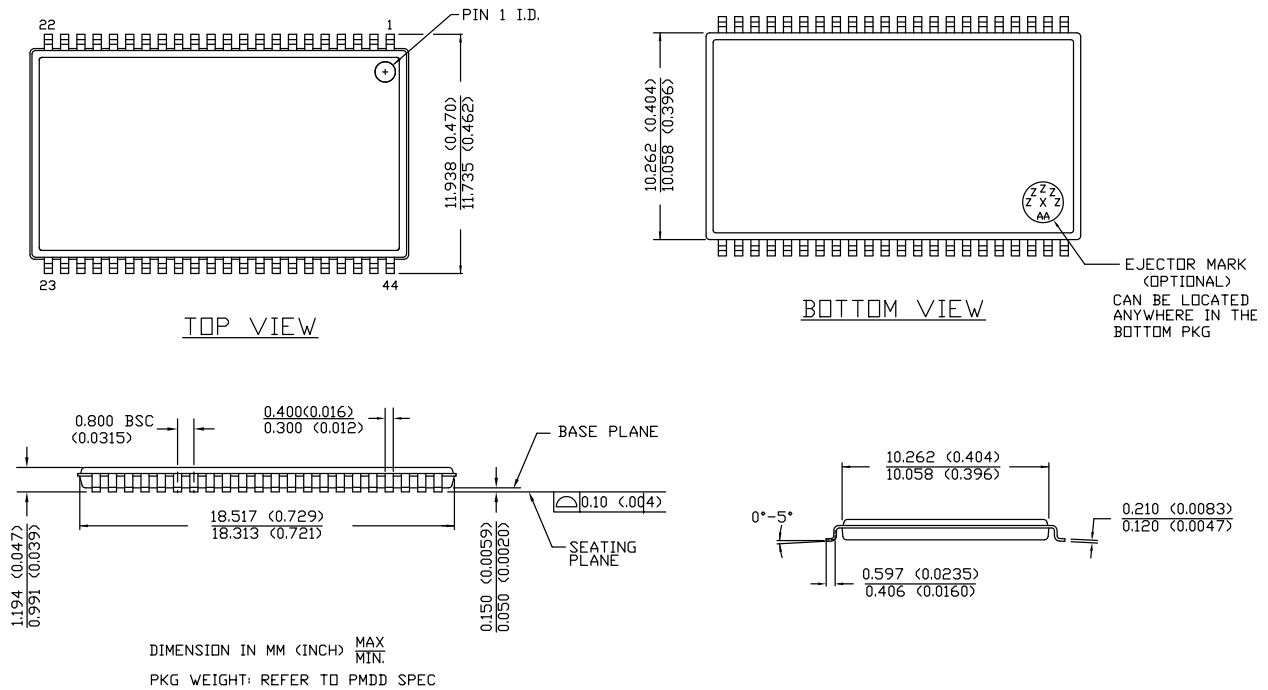


NOTE:
 PACKAGE WEIGHT: See Cypress Package Material Declaration Datasheet (PMDD)
 posted on the Cypress web.

51-85150 *H

Package Diagrams (continued)

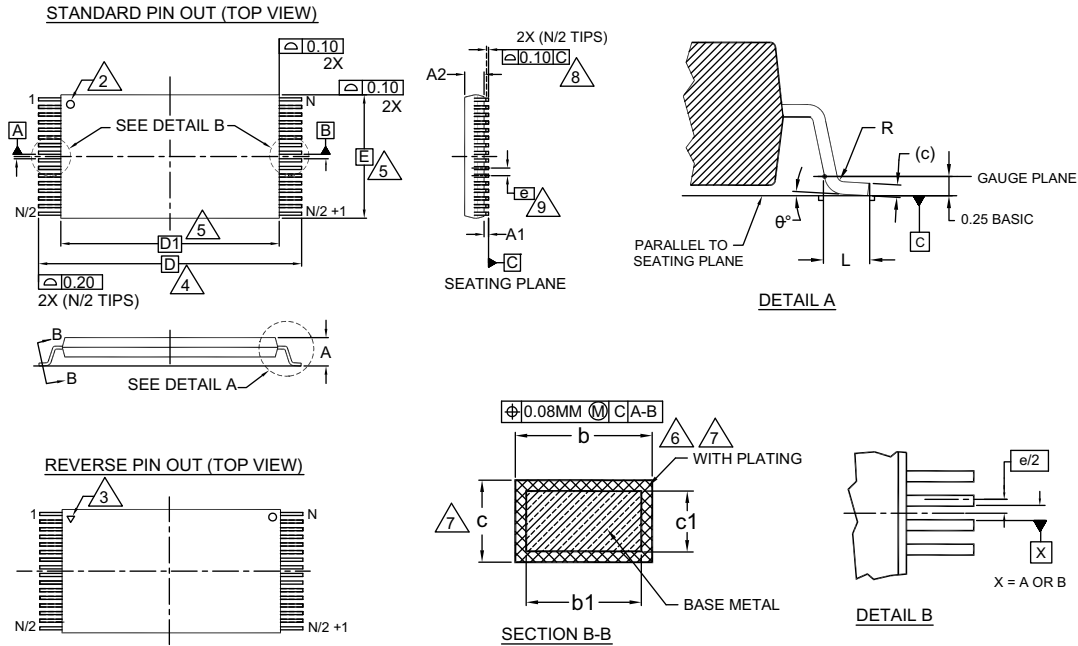
Figure 13. 44-pin TSOP II Package Outline, 51-85087



51-85087 *E

Package Diagrams (continued)

Figure 14. 48-pin TSOP I (18.4 × 12 × 1.2 mm) Package Outline, 51-85183



| SYMBOL | DIMENSIONS | | |
|--------|-------------|------|------|
| | MIN. | NOM. | MAX. |
| A | — | — | 1.20 |
| A1 | 0.05 | — | 0.15 |
| A2 | 0.95 | 1.00 | 1.05 |
| b1 | 0.17 | 0.20 | 0.23 |
| b | 0.17 | 0.22 | 0.27 |
| c1 | 0.10 | — | 0.16 |
| c | 0.10 | — | 0.21 |
| D | 20.00 BASIC | | |
| D1 | 18.40 BASIC | | |
| E | 12.00 BASIC | | |
| e | 0.50 BASIC | | |
| L | 0.50 | 0.60 | 0.70 |
| theta | 0° | — | 8 |
| R | 0.08 | — | 0.20 |
| N | 48 | | |

NOTES:

1. DIMENSIONS ARE IN MILLIMETERS (mm).
2. PIN 1 IDENTIFIER FOR STANDARD PIN OUT (DIE UP).
3. PIN 1 IDENTIFIER FOR REVERSE PIN OUT (DIE DOWN): INK OR LASER MARK.
4. TO BE DETERMINED AT THE SEATING PLANE [C-]. THE SEATING PLANE IS DEFINED AS THE PLANE OF CONTACT THAT IS MADE WHEN THE PACKAGE LEADS ARE ALLOWED TO REST FREELY ON A FLAT HORIZONTAL SURFACE.
5. DIMENSIONS D1 AND E DO NOT INCLUDE MOLD PROTRUSION. ALLOWABLE MOLD PROTRUSION ON E IS 0.15mm PER SIDE AND ON D1 IS 0.25mm PER SIDE.
6. DIMENSION b DOES NOT INCLUDE DAMBAR PROTRUSION. ALLOWABLE DAMBAR PROTRUSION SHALL BE 0.08mm TOTAL IN EXCESS OF b DIMENSION AT MAX. MATERIAL CONDITION. DAMBAR CANNOT BE LOCATED ON LOWER RADIUS OR THE FOOT. MINIMUM SPACE BETWEEN PROTRUSION AND AN ADJACENT LEAD TO BE 0.07mm.
7. THESE DIMENSIONS APPLY TO THE FLAT SECTION OF THE LEAD BETWEEN 0.10mm AND 0.25mm FROM THE LEAD TIP.
8. LEAD COPLANARITY SHALL BE WITHIN 0.10mm AS MEASURED FROM THE SEATING PLANE.
9. DIMENSION "e" IS MEASURED AT THE CENTERLINE OF THE LEADS.
10. JEDEC SPECIFICATION NO. REF: MO-142(D)DD.

51-85183 *F

Acronyms

| Acronym | Description |
|-----------------|---|
| \overline{CE} | Chip Enable |
| CMOS | Complementary Metal Oxide Semiconductor |
| I/O | Input/Output |
| \overline{OE} | Output Enable |
| RAM | Random Access Memory |
| SRAM | Static Random Access Memory |
| TSOP | Thin Small Outline Package |
| VFBGA | Very Fine-Pitch Ball Grid Array |
| \overline{WE} | Write Enable |

Document Conventions

Units of Measure

| Symbol | Unit of Measure |
|--------|-----------------|
| °C | degree Celsius |
| MHz | megahertz |
| μA | microampere |
| μs | microsecond |
| mA | milliampere |
| mm | millimeter |
| ns | nanosecond |
| Ω | ohm |
| % | percent |
| pF | picofarad |
| V | volt |
| W | watt |

Document History Page

| Document Title: CY62157EV30 MoBL®, 8-Mbit (512K × 16) Static RAM Document Number: 38-05445 | | | | |
|---|--------|-----------------|-----------------|---|
| Revision | ECN | Orig. of Change | Submission Date | Description of Change |
| ** | 202940 | AJU | See ECN | New data sheet. |
| *A | 291272 | SYT | See ECN | <p>Changed status from Advance Information to Preliminary. Removed 48-TSOP I Package and the associated footnote Added footnote stating 44 TSOP II Package has only one \overline{CE} on Page # 2 Changed V_{CC} stabilization time in footnote #7 from 100 μs to 200 μs Changed I_{CCDR} from 4 to 4.5 μA Changed t_{OHA} from 6 to 10 ns for both 35 and 45 ns Speed Bins Changed t_{DOE} from 15 to 18 ns for 35 ns Speed Bin Changed t_{HZOE}, t_{HZBE} and t_{HZWE} from 12 and 15 ns to 15 and 18 ns for 35 and 45 ns Speed Bins respectively Changed t_{HZCE} from 12 and 15 ns to 18 and 22 ns for 35 and 45 ns Speed Bins respectively Changed t_{SCE}, t_{AW} and t_{BW} from 25 and 40 ns to 30 and 35 ns for 35 and 45 ns Speed Bins respectively Changed t_{SD} from 15 and 20 ns to 18 and 22 ns for 35 and 45 ns Speed Bins respectively Added Lead-Free Package Information</p> |
| *B | 444306 | NXR | See ECN | <p>Changed status from Preliminary to Final. Changed ball E3 from DNU to NC Removed redundant footnote on DNU. Removed 35 ns speed bin Removed "L" bin Added 48 pin TSOP I package Added Automotive product information. Changed the I_{CC} Typ value from 16 mA to 18 mA and I_{CC} Max value from 28 mA to 25 mA for test condition f = fax = 1/t_{RC}. Changed the I_{CC} Max value from 2.3 mA to 3 mA for test condition f = 1MHz. Changed the I_{SB1} and I_{SB2} Max value from 4.5 μA to 8 μA and Typ value from 0.9 μA to 2 μA respectively. Modified ISB_1 test condition to include \overline{BHE}, \overline{BLE} Updated Thermal Resistance table. Changed Test Load Capacitance from 50 pF to 30 pF. Added Typ value for I_{CCDR}. Changed the I_{CCDR} Max value from 4.5 μA to 5 μA Corrected t_R in Data Retention Characteristics from 100 μs to t_{RC} ns. Changed t_{LZOE} from 3 to 5 Changed t_{LZCE} from 6 to 10 Changed t_{HZCE} from 22 to 18 Changed t_{LZBE} from 6 to 5 Changed t_{PWE} from 30 to 35 Changed t_{SD} from 22 to 25 Changed t_{LZWE} from 6 to 10 Added footnote #15 Updated the ordering Information and replaced the Package Name column with Package Diagram.</p> |
| *C | 467052 | NXR | See ECN | <p>Modified Data sheet to include x8 configurability. Updated the Ordering Information table</p> |
| *D | 925501 | VKN | See ECN | <p>Removed Automotive-E information Added Preliminary Automotive-A information Added footnote #10 related to I_{SB2} and I_{CCDR} Added footnote #15 related AC timing parameters</p> |

Document History Page (continued)

| Document Title: CY62157EV30 MoBL®, 8-Mbit (512K × 16) Static RAM Document Number: 38-05445 | | | | |
|---|---------|-----------------|-----------------|---|
| Revision | ECN | Orig. of Change | Submission Date | Description of Change |
| *E | 1045801 | VKN | See ECN | Converted Automotive-A specs from preliminary to final Updated footnote #9 |
| *F | 2724889 | NXR / AESA | 06/26/09 | Added Automotive-E information Included -45ZXA/-55ZSXE/-55ZXE parts in the Ordering Information table |
| *G | 2927528 | VKN | 05/04/2010 | Renamed “DNU” pins as “NC” for 48 TSOP I package Added footnote #24 related to chip enable Added Contents Updated Package Diagrams Updated links in Sales, Solutions, and Legal Information |
| *H | 3110053 | PRAS | 12/14/2010 | Changed Table Footnotes to Notes. Added Ordering Code Definitions under Ordering Information . |
| *I | 3269771 | RAME | 05/30/2011 | Updated Functional Description (Removed “For best practice recommendations, refer to the Cypress application note AN1064, SRAM System Guidelines.”). Updated Electrical Characteristics . Updated Data Retention Characteristics . Updated Package Diagrams . Added Acronyms and Units of Measure . Updated to new template. |
| *J | 3578601 | TAVA | 04/11/2012 | Updated Package Diagrams . |
| *K | 4102449 | VINI | 08/22/2013 | Updated Switching Characteristics : Updated Note 17. Updated Package Diagrams : spec 51-85150 – Changed revision from *G to *H. spec 51-85087 – Changed revision from *D to *E. Updated to new template. |
| *L | 4126231 | VINI | 09/18/2013 | Updated Switching Characteristics : Updated Note 17 (Removed last sentence from Note 17 and added the same sentence as a new note namely Note 18). |
| *M | 4214977 | MEMJ | 12/09/2013 | Updated Pin Configurations : Updated Note 3 (Removed ‘NC’ mentioned at the end of the note). |
| *N | 4578508 | MEMJ | 11/24/2014 | Updated Functional Description : Added “For a complete list of related documentation, click here .” at the end. Updated Switching Characteristics : Added Note 22 and referred the same note in “Write Cycle”. Updated Switching Waveforms : Added Note 35 and referred the same note in Figure 10 . |
| *O | 4748627 | NILE | 04/30/2015 | Updated Package Diagrams : spec 51-85183 – Changed revision from *C to *D. Updated to new template. Completing Sunset Review. |
| *P | 5320972 | NILE | 06/23/2016 | Updated Thermal Resistance : Replaced “two-layer” with “four-layer” in “Test Conditions” column. Updated values of Θ_{JA} , Θ_{JC} parameters corresponding to all packages. Updated Ordering Information : Updated part numbers. Updated to new template. |
| *Q | 5731504 | NILE | 05/10/2017 | Updated Package Diagrams : spec 51-85183 – Changed revision from *D to *F. Updated to new template. Completing Sunset Review. |

Sales, Solutions, and Legal Information

Worldwide Sales and Design Support

Cypress maintains a worldwide network of offices, solution centers, manufacturer's representatives, and distributors. To find the office closest to you, visit us at [Cypress Locations](#).

Products

| | |
|-------------------------------|--|
| ARM® Cortex® Microcontrollers | cypress.com/arm |
| Automotive | cypress.com/automotive |
| Clocks & Buffers | cypress.com/clocks |
| Interface | cypress.com/interface |
| Internet of Things | cypress.com/iot |
| Memory | cypress.com/memory |
| Microcontrollers | cypress.com/mcu |
| PSoC | cypress.com/psoc |
| Power Management ICs | cypress.com/pmic |
| Touch Sensing | cypress.com/touch |
| USB Controllers | cypress.com/usb |
| Wireless Connectivity | cypress.com/wireless |

PSoC® Solutions

[PSoC 1](#) | [PSoC 3](#) | [PSoC 4](#) | [PSoC 5LP](#)

Cypress Developer Community

[Forums](#) | [WICED IOT Forums](#) | [Projects](#) | [Video](#) | [Blogs](#) | [Training](#) | [Components](#)

Technical Support

cypress.com/support

© Cypress Semiconductor Corporation, 2004–2017. This document is the property of Cypress Semiconductor Corporation and its subsidiaries, including Spansion LLC ("Cypress"). This document, including any software or firmware included or referenced in this document ("Software"), is owned by Cypress under the intellectual property laws and treaties of the United States and other countries worldwide. Cypress reserves all rights under such laws and treaties and does not, except as specifically stated in this paragraph, grant any license under its patents, copyrights, trademarks, or other intellectual property rights. If the Software is not accompanied by a license agreement and you do not otherwise have a written agreement with Cypress governing the use of the Software, then Cypress hereby grants you a personal, non-exclusive, nontransferable license (without the right to sublicense) (1) under its copyright rights in the Software (a) for Software provided in source code form, to modify and reproduce the Software solely for use with Cypress hardware products, only internally within your organization, and (b) to distribute the Software in binary code form externally to end users (either directly or indirectly through resellers and distributors), solely for use on Cypress hardware product units, and (2) under those claims of Cypress's patents that are infringed by the Software (as provided by Cypress, unmodified) to make, use, distribute, and import the Software solely for use with Cypress hardware products. Any other use, reproduction, modification, translation, or compilation of the Software is prohibited.

TO THE EXTENT PERMITTED BY APPLICABLE LAW, CYPRESS MAKES NO WARRANTY OF ANY KIND, EXPRESS OR IMPLIED, WITH REGARD TO THIS DOCUMENT OR ANY SOFTWARE OR ACCOMPANYING HARDWARE, INCLUDING, BUT NOT LIMITED TO, THE IMPLIED WARRANTIES OF MERCHANTABILITY AND FITNESS FOR A PARTICULAR PURPOSE. To the extent permitted by applicable law, Cypress reserves the right to make changes to this document without further notice. Cypress does not assume any liability arising out of the application or use of any product or circuit described in this document. Any information provided in this document, including any sample design information or programming code, is provided only for reference purposes. It is the responsibility of the user of this document to properly design, program, and test the functionality and safety of any application made of this information and any resulting product. Cypress products are not designed, intended, or authorized for use as critical components in systems designed or intended for the operation of weapons, weapons systems, nuclear installations, life-support devices or systems, other medical devices or systems (including resuscitation equipment and surgical implants), pollution control or hazardous substances management, or other uses where the failure of the device or system could cause personal injury, death, or property damage ("Unintended Uses"). A critical component is any component of a device or system whose failure to perform can be reasonably expected to cause the failure of the device or system, or to affect its safety or effectiveness. Cypress is not liable, in whole or in part, and you shall and hereby do release Cypress from any claim, damage, or other liability arising from or related to all Unintended Uses of Cypress products. You shall indemnify and hold Cypress harmless from and against all claims, costs, damages, and other liabilities, including claims for personal injury or death, arising from or related to any Unintended Uses of Cypress products.

Cypress, the Cypress logo, Spansion, the Spansion logo, and combinations thereof, WICED, PSoC, CapSense, EZ-USB, F-RAM, and Traveo are trademarks or registered trademarks of Cypress in the United States and other countries. For a more complete list of Cypress trademarks, visit cypress.com. Other names and brands may be claimed as property of their respective owners.