

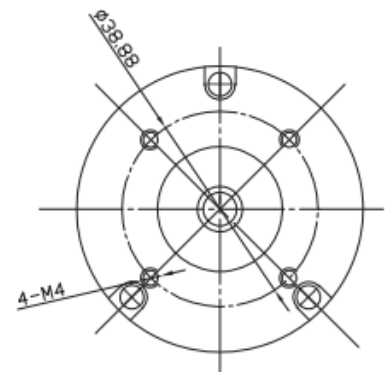
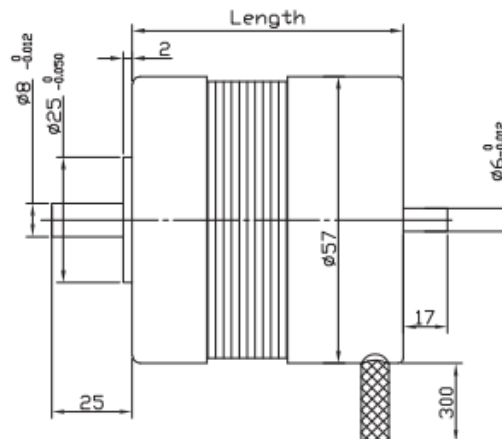
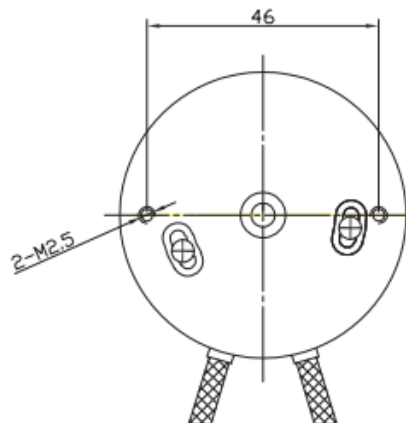
Datasheet

RS Pro Brushless DC Motor

Stock No: 536-6046



A brushless DC motor is a synchronous electric motor which is powered by direct-current electricity (DC) and which has an electronically controlled commutation system, instead of a mechanical commutation system based on brushes. In such motors, current and torque, voltage and rpm are linearly related.



Specifications

No of Pole		4
No of Phase		3
Rated Voltage	V	36
Rated Speed	RPM	4000
Rated Torque	Nm	0.22
Max Peak Torque	Nm	0.68
Torque Constant	Nm/A	0.063
Line to Line Resistance	Ω	0.65
Line to Line Inductance	MH	2.1
Max Peak Current	A	9.8
Length	mm	74
Rotor Inertia	G-CM ²	119
Weight	Kg	0.75

Characteristics

Hall Effect Angle	120° Electric Angle
Shaft Run Out	0.025 mm
Insulation Class	B
Radial Play	0.02 mm (450 G Load)
Axial Play	0.08 mm (450 G Load)
Max Radial Force	75 N (10 mm from Flange)
Max Axial Force	15 N
Dielectric Strength	500 Vdc for one minute
Insulation Resistance	100 M ohm min. 500 Vdc

Connection

Lead No	Colour	Gauge	Function
1	Red	UL1430 AWG26	Vcc HallSensor +5 to +24 Vdc
2	Blue	UL1430 AWG26	Hall A
3	Green	UL1430 AWG26	Hall B
4	White	UL1430 AWG26	Hall C
5	Black	UL1430 AWG26	GND Hall Sensor
6	Yellow	UL1430 AWG20	Phase U
7	Red	UL1430 AWG20	Phase V
8	Black	UL1430 AWG20	Phase W