

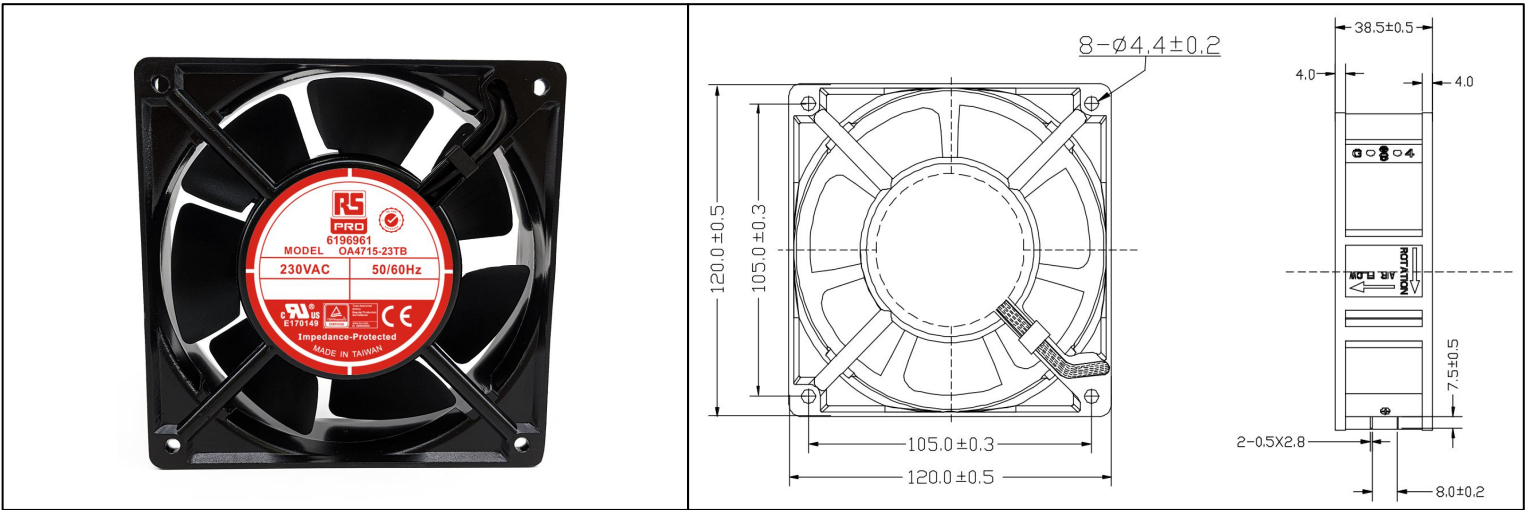


Datasheet

RS PRO AC FAN 120x38mm

Stock Number: 619-6961

EN



Frame	Die Cast Aluminum	<p><u>Operating Temperature</u> -10°C ~ +70°C</p> <p><u>Storage Temperature</u> -40°C ~ +75°C</p> <p><u>Life Expectancy</u> 50,000 hours (L10 at 25°C)</p> <p>Weight: 0.5 Kgs (1.10 lbs)</p>	
Impeller	PBT UL94 V-0 Plastic		
Connection	Terminals		
Motor	AC Shaded Pole, Impedance Protected, Class B Insulation		
Bearing System	Dual Ball Bearings		
Dielectric Strength	1500VAC/min < 5mA		
Insulation Resistance	>10M ohm between leadwire and frame (500VDC)		

Model Number	619-6961
Rated Voltage	230 VAC
Input Power	28 W @ 50 Hz 24 W @ 60 Hz
Input Current	0.20 A
Rated Speed (RPM)	2600 @ 50 Hz 3000 @ 60 Hz
Airflow (CFM)	97 @ 50 Hz 111 @ 60 Hz
Noise Level (dB)	40 @ 50 Hz 44 @ 60 Hz
Max. Static Pressure	0.29\" H ₂ O @ 50 Hz 0.36\" H ₂ O @ 60 Hz

*PQ Airflow data specifications are for 60 Hz operation