

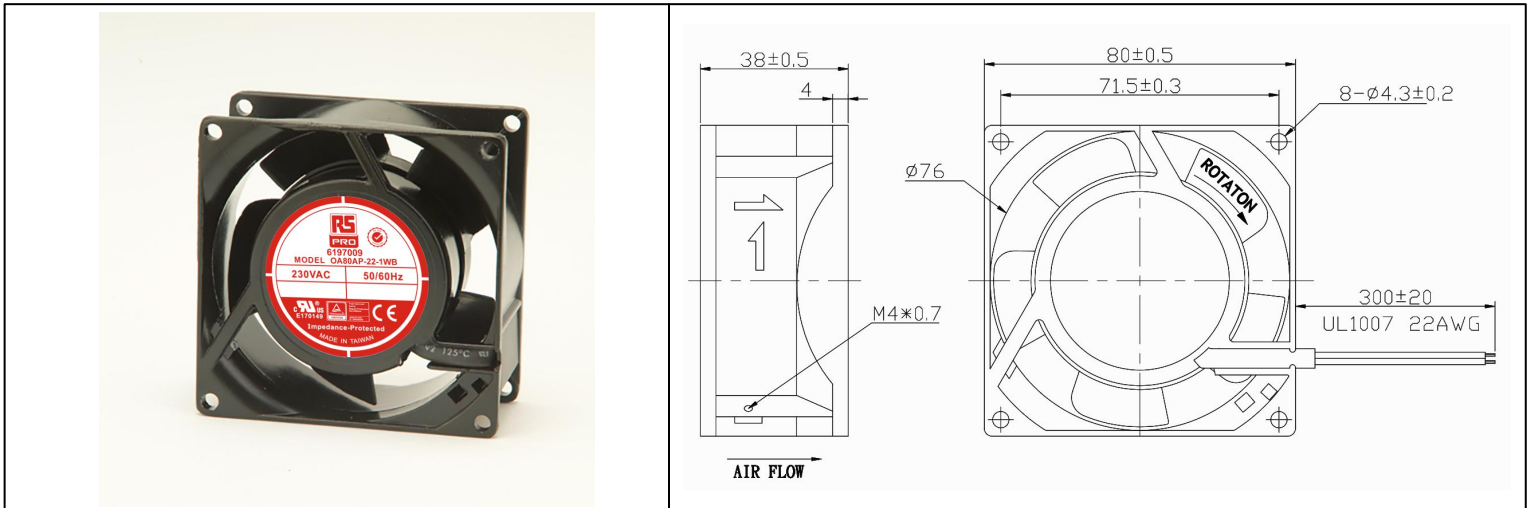


Datasheet

RS PRO AC FAN 80x38mm

Stock Number: 619-7009

EN



Frame	Die Cast Aluminum	<p><u>Operating Temperature</u> -40°C ~ +70°C</p> <p><u>Storage Temperature</u> -40°C ~ +80°C</p> <p><u>Life Expectancy</u> 40,000 hours (L10 at 40°C)</p> <p>Weight: 0.28Kgs (0.62 lbs)</p>	
Impeller	PBT UL94 V-0 Plastic		
Connection	2x Lead Wires, 22 AWG		
Motor	AC Shaded Pole, Impedance Protected, Class B Insulation		
Bearing System	Dual Ball Bearings		
Dielectric Strength	1500VAC/min < 1mA		
Insulation Resistance	>100M ohm between leadwire and frame (500VDC)		

Model Number	619-7009
Rated Voltage	230 VAC
Input Power	14 W @ 50 Hz 12 W @ 60 Hz
Voltage Range	207~253
Rated Speed (RPM)	2500 @ 50 Hz 3000 @ 60 Hz
Airflow (CFM)	24 @ 50 Hz 30 @ 60 Hz
Noise Level (dB)	32 @ 50 Hz 36 @ 60 Hz
Max. Static Pressure	0.16" H ₂ O @ 50 Hz 0.22" H ₂ O @ 60 Hz

*PQ Data specifications are for 60 Hz operation