

# Datasheet

## Quick Connect Fittings

### Brass

#### Technical Features

- Valve system: Poppet valve
- Mechanical connection: Locking balls
- Connection system: Pulling back the sleeve and pushing one half towards the other
- Disconnection system: Pulling back the sleeve
- Connection with residual pressure: Not allowed
- Disconnection with residual pressure: Not allowed
- Threads available: BSP, NPT
- Temperature range:  
Standard seals VITON: from -15°C to +180°C ( from +5°F to +356°F).  
NBR (Nitrile) seals: from -20°C to +100°C ( from -4°F to +212°F).  
EPDM (Ethylene Propylene) seals: from -40°C to +150°C ( from -40°F to +302°F).

#### How To Use

- Before connecting, clean the mating parts of the couplings to avoid contamination into the circuit.
- To couple pull back the sleeve of the female coupling, align the female with the male coupling and push one into the other until both halves are fully connected and release the sleeve.
- To uncouple pull back the sleeve of the female coupling, pull out the male half.

#### Warning!

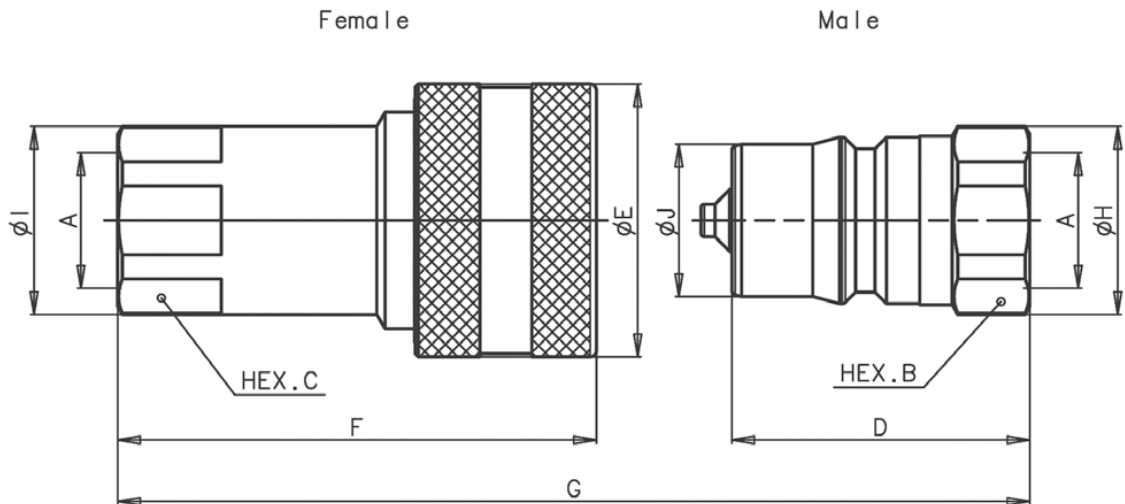
- Do not couple-uncouple with flow and/or pressure in the circuit.
- Use protection whenever connecting or disconnecting with high temperature (max. allowed 80°C, 176°F).

#### Materials

- Construction material: Brass
- Springs: AISI 302
- Balls: AISI 316
- Seals: standard in VITON
- Seals on request: NBR, EPDM
- Anti-extrusion rings: PTFE



Dimensions



RS Part Number:	A	B	C	D	E	F	G	H	I	J	Weight
768-5807	1/8	14	14	30	23	48.8	61	16	16	10.8	0.02 kg
768-5816	1/8	14	14	30	23	48.8	61	16	16	10.8	0.07 kg
768-5819	1/4	19	19	35	27	57	71	21	21	14.2	0.04 kg
768-5813	1/4	19	19	35	27	57	71	21	21	14.2	0.13 kg
768-5822	3/8	24	24	41	34	66	83	26	27	19.1	0.07 kg
768-5825	3/8	24	24	41	34	66	83	26	27	19.1	0.24 kg
768-5829	1/2	27	27	46	42	73.9	93	29	29	23.5	0.11 kg
768-5838	1/2	27	27	46	42	73.9	93	29	29	23.5	0.34 kg
768-5831	3/4	36	36	55	50	90.1	111	39	39	31.4	0.22 kg
768-5835	3/4	36	36	55	50	90.1	111	39	39	31.4	0.61 kg



**Product Performance**

RS Part Number:	Size	ISO Size	Max/ flow suggested		Connect Force		Disconnect Force		Spillage*
	Inch	mm	l/min	GPM	N	lbf	N	lbf	ml
768-5807	1/8	5.0	6	1.59	75	16.88	35	7.88	0.18
768-5816	1/8	5.0	6	1.59	75	16.88	35	7.88	0.18
768-5819	1/4	6.3	24	6.36	60	13.50	30	6.75	0.33
768-5813	1/4	6.3	24	6.36	60	13.50	30	6.75	0.33
768-5822	3/8	10.0	46	12.19	95	21.38	35	7.88	2.20
768-5825	3/8	10.0	46	12.19	95	21.38	35	7.88	2.20
768-5829	1/2	12.5	90	23.85	95	21.38	35	7.88	3.00
768-5838	1/2	12.5	90	23.85	95	21.38	35	7.88	3.00
768-5831	3/4	20.0	148	39.22	125	28.13	40	9.00	9.40
768-5835	3/4	20.0	148	39.22	125	28.13	40	9.00	9.40

\* Spillage is an indicative value of the fluid loss per couple-uncouple cycle.

RS Part Numbers		Size	Coupled		Male		Female		Coupled		Male		Female	
			MPa	psi	MPa	psi	MPa	psi	MPa	psi	MPa	psi	MPa	psi
768-5807	768-5816	1/8	20	2900	20	2900	20	2900	100	14500	100	14500	100	14500
768-5819	768-5813	1/4	20	2900	20	2900	20	2900	100	14500	100	14500	100	14500
768-5822	768-5825	3/8	16	2320	16	2320	16	2320	80	11600	70	10150	80	11600
768-5829	768-5838	1/2	16	2320	16	2320	16	2320	80	11600	70	10150	80	11600
768-5831	768-5835	3/4	12.5	1813	12.5	1813	12.5	1813	60	8700	45	6525	60	8700

**Product Descriptions**

RS Part Number:	Description
768-5807	Quick Connect ISO Coupling, 1/8in Male
768-5816	Quick Connect ISO Coupling, 1/8in Female
768-5819	Quick Connect ISO Coupling, 1/4in Male
768-5813	Quick Connect ISO Coupling, 1/4in Female
768-5822	Quick Connect ISO Coupling, 3/8in Male
768-5825	Quick Connect ISO Coupling, 3/8in Female
768-5829	Quick Connect ISO Coupling, 1/2in Male
768-5838	Quick Connect ISO Coupling, 1/2in Female
768-5831	Quick Connect ISO Coupling, 3/4in Male
768-5835	Quick Connect ISO Coupling, 3/4in Female