



- Large capacity 12A of general purpose relay.
- 4PDT contact arrangement.
- L.E.D. status lamp: Shows coil "ON" or "OFF" status, ideal in low light conditions.
- DC: bi-polar L.E.D.
- Push button: Allows for manual operation of relay without the need for coil power, ideal for field service personnel to test control circuits.
- UL pending.

Contact rating :

		BLY4-4C
Contact capacity resistive load (Cos.=1)		12A 28VDC
		12A 240VAC
Motor	120VAC	1/3HP
	240VAC	1/2HP

Specifications :

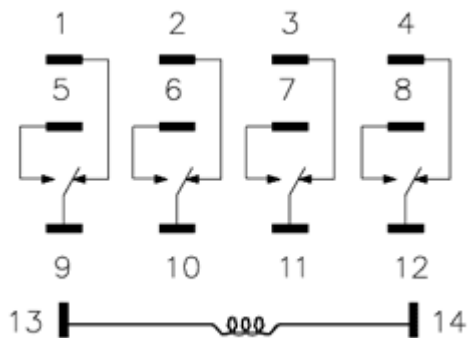
Contact resistance	50mΩ Maximum
Operate time	25mS maximum
Release time	25mS maximum
Insulation resistance	100MΩ minimum at 500VDC
Dielectric strength	Between open contact: 1000 VAC for 1 minute
	Coil to frame: 2200 VAC for 1 minute
	Contact to coil: 2200 VAC for 1 minute
	Pole to pole: 2200 VAC for 1 minute
Temperature (operating)	-45°C to +55°C(AC); -45°C to +70°C(DC)
Mechanical life	10,000,000 operations
Electrical life	100,000 operations
Contact material	AgNi10
Weight (approx.)	72g

Coil rating :

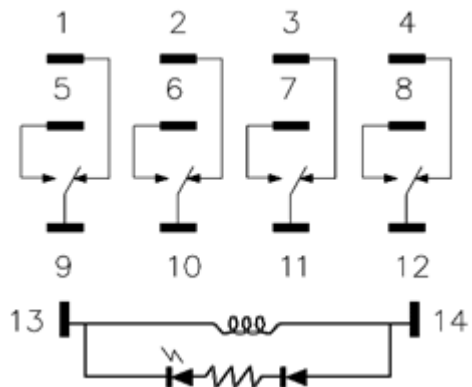
Rated Voltage (V)		Coil resistance (Ω)	Max. pull-in Voltage	Min. dropout voltage	Max. allowable Voltage	Power Consumption	
		±10% at 25°C	% of rated voltage at 25°C				
DC	4C	6	24	75 Max.	10 Min.	110 Max.	Approx. 1.5W
		12	96				
		24	388				
		48	1550				
		110	7340				
AC	4C	6	5.4	80 Max.	30 Min.	110 Max.	Approx. 2.5VA
		12	21.3				
		24	84.5				
		48	340				
		110	1800				
		120	2220				
		220	7360				
		230	8520				
240	9120						

Wire diagrams :

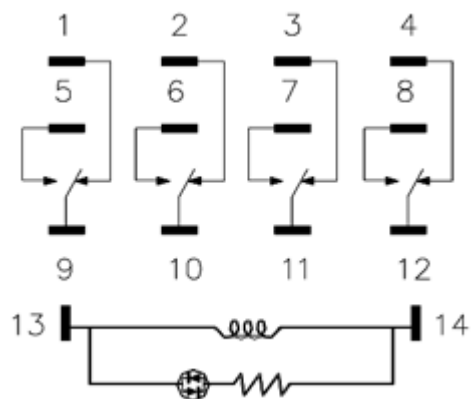
Standard styles



AC styles(with LED)

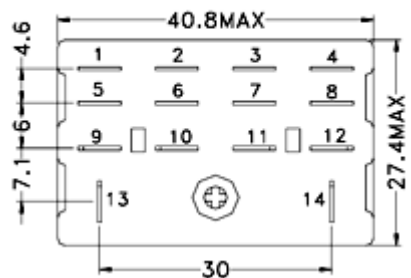
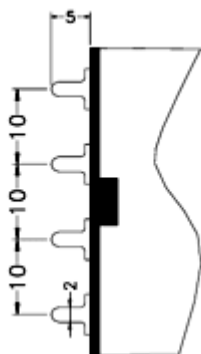


DC styles(with LED)

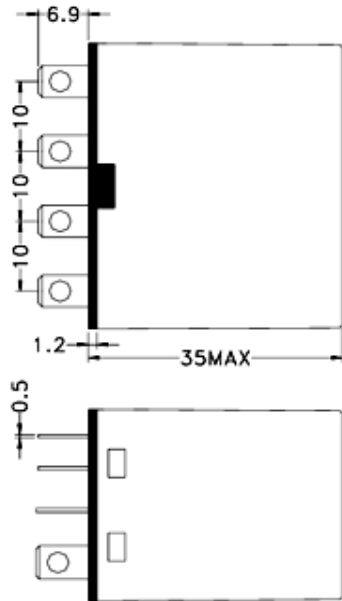


Dimensions :

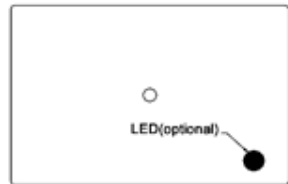
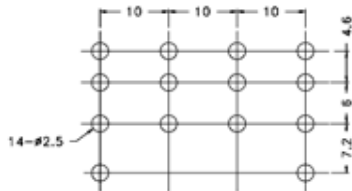
Plain cover style:P.C.B terminal (Code P)



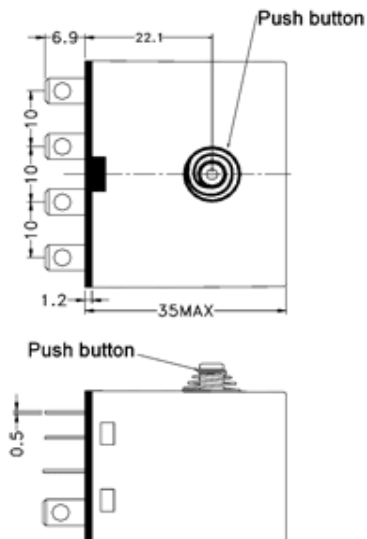
Solder (plug-in) terminal (Code S)



Printed circuit board layout



With push button:



How to order :