

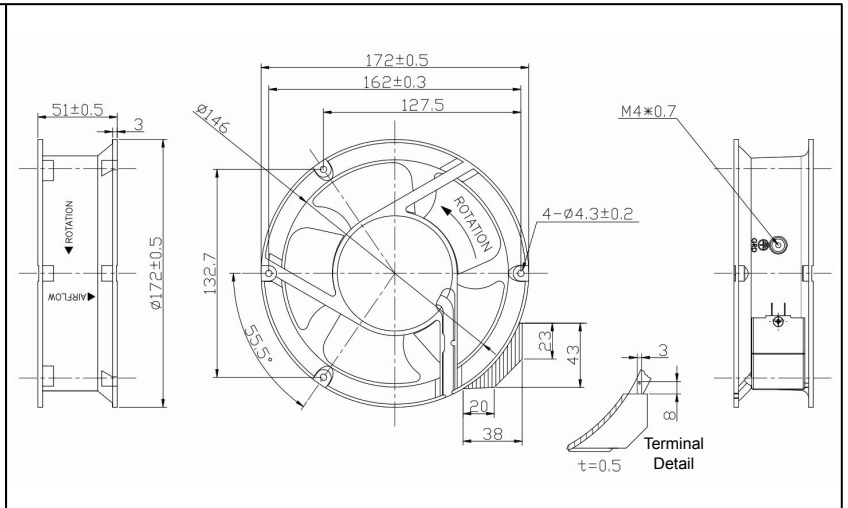


Datasheet

RS PRO AC FAN 172x51mm

Stock Number: 619-6848

EN



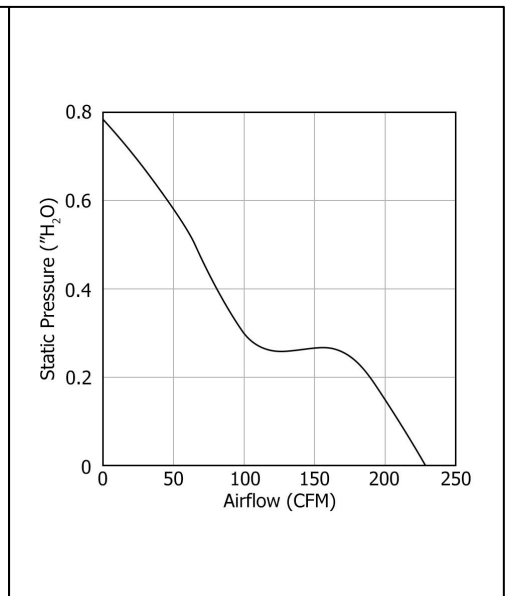
Frame	Die Cast Aluminum
Impeller	PBT UL94 V-0 Plastic
Connection	Terminals
Motor	Capacitor Drive, Thermally Protected, Impedance Protected
Bearing System	Dual Ball Bearings
Dielectric Strength	1500VAC/min < 1mA
Insulation Resistance	>100M ohm between leadwire and frame (500VDC)

Operating Temperature
-40°C ~ +70°C

Storage Temperature
-40°C ~ +80°C

Life Expectancy
40,000 hours (L10 at 40°C)

Weight: 0.82Kgs (1.80 lbs)



Model Number	619-6848
Rated Voltage	230 VAC
Rated Input	29 W @ 50/60 Hz
Voltage Range	207~253
Rated Speed (RPM)	2850 @ 50 Hz 3400 @ 60 Hz
Airflow (CFM)	205 @ 50 Hz 226 @ 60 Hz
Noise Level (dB)	50 @ 50 Hz 55 @ 60 Hz
Max. Static Pressure	0.63" H ₂ O @ 50 Hz 0.79" H ₂ O @ 60 Hz

*PQ Airflow data specifications are for 60 Hz operation