

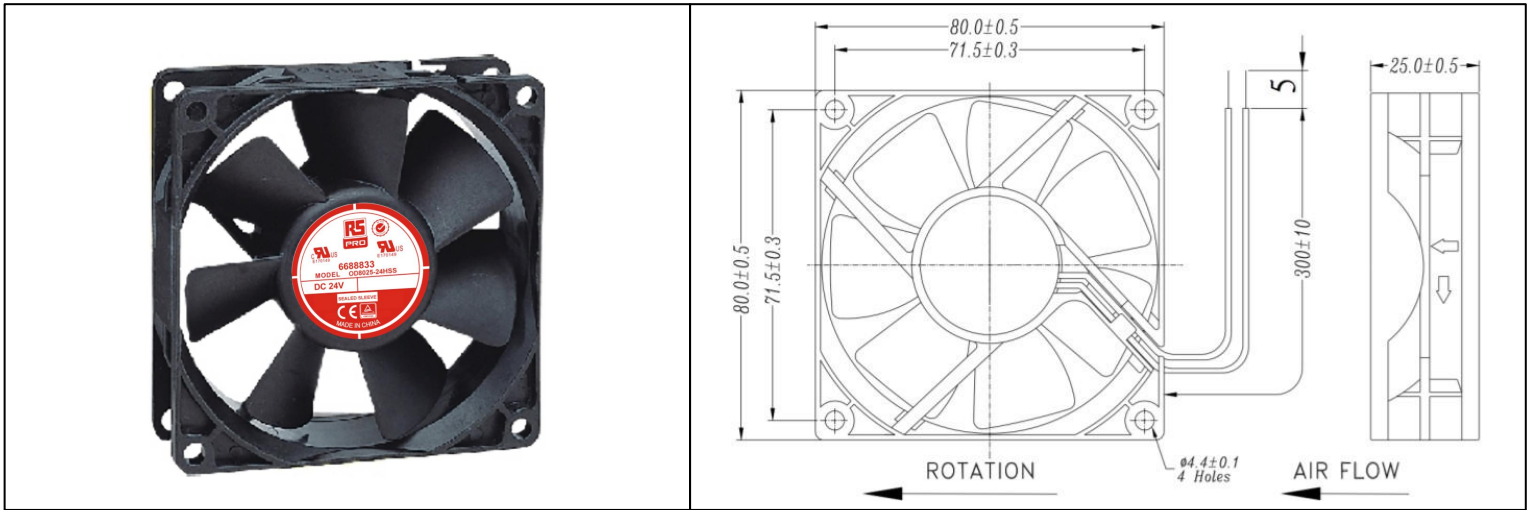


Datasheet

RS PRO DC FAN 80x25mm

Stock Number: 668-8833

EN



Frame	PBT UL94 V-0 Plastic	<u>Operating Temperature</u> -10°C ~ +70°C <u>Storage Temperature</u> -40°C ~ +70°C <u>Life Expectancy</u> 50,000 hours (L10 at 40°C) Weight: 0.086Kgs (0.19 lbs)	
Impeller	PBT UL94 V-0 Plastic		
Connection	2x Wire Leads, 24 AWG		
Motor	Brushless DC, Auto Cutoff, Auto Restart, Polarity Protected		
Bearing System	Sealed Sleeve		
Dielectric Strength	500VAC/min < 1mA		
Insulation Resistance	10M ohm between leadwire and frame (500VDC)		

Model Number	668-8833
Rated Voltage	24 VDC
Rated Power	2.4 W
Rated Current	0.16 A
Rated Speed (RPM)	3100
Airflow (CFM)	40
Noise Level (dB)	34
Max. Static Pressure	0.16" H ₂ O