



ENGLISH

Datasheet RS Pro G-Clamp Vice

RS Stock No: 752-2428



Specifications:

This lightweight portable mini vice is suitable for use in engineering, automotive and home workshops and can be easily mounted to any convenient working surface

Maximum Jaw Opening: 60mm

Jaw Width: 65mm

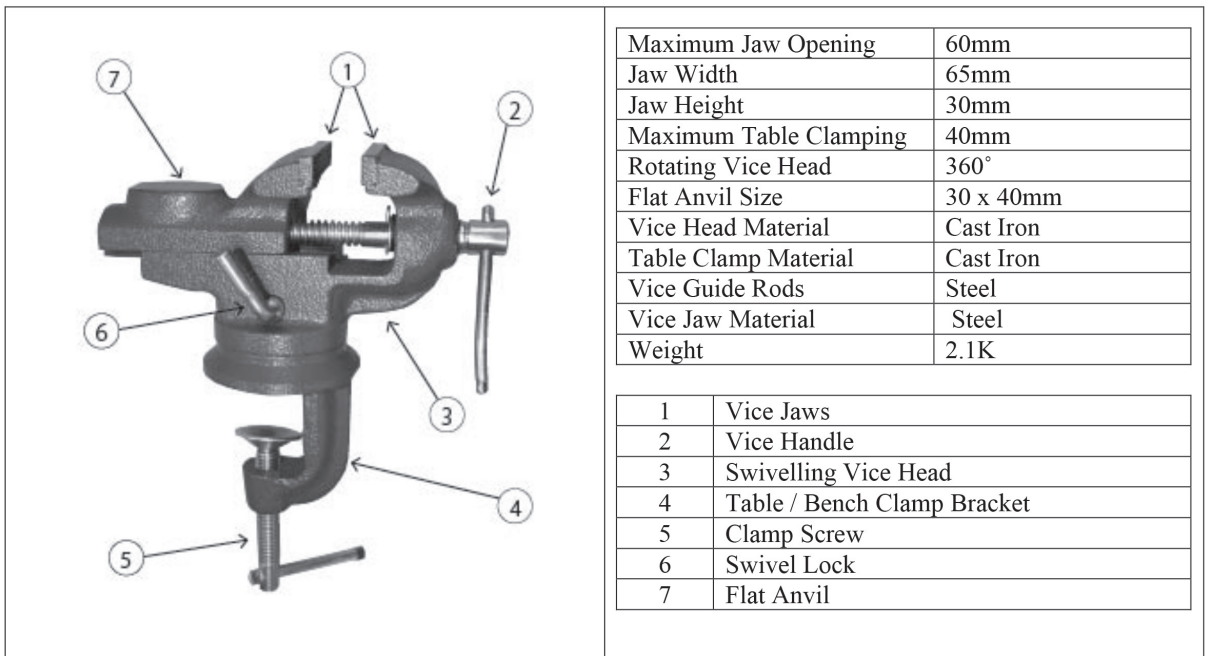
Jaw Height: 30mm

Maximum Table Clamping: 40mm

Rotating Vice Head: 360°

Order Code	Manufacturers Code	Description
752-2428	52-192-875	G-Clamp Vice

Datasheet RS Pro G-Clamp Vice



Maximum Jaw Opening	60mm
Jaw Width	65mm
Jaw Height	30mm
Maximum Table Clamping	40mm
Rotating Vice Head	360°
Flat Anvil Size	30 x 40mm
Vice Head Material	Cast Iron
Table Clamp Material	Cast Iron
Vice Guide Rods	Steel
Vice Jaw Material	Steel
Weight	2.1K

1	Vice Jaws
2	Vice Handle
3	Swivelling Vice Head
4	Table / Bench Clamp Bracket
5	Clamp Screw
6	Swivel Lock
7	Flat Anvil