

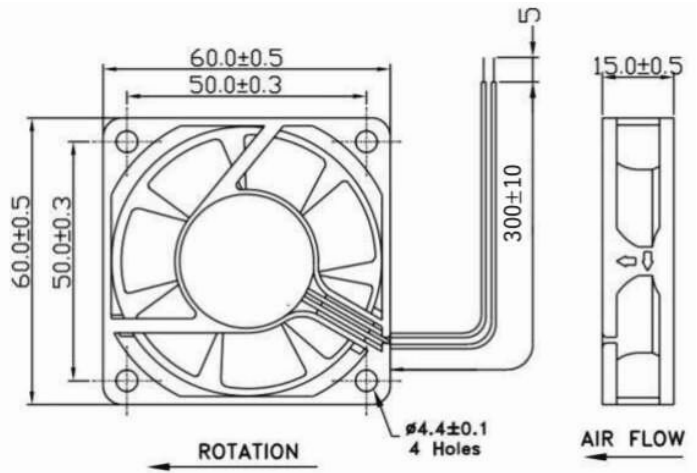


Datasheet

RS PRO DC FAN 60x15mm

Stock Number: 541-5182

EN



Frame	PBT UL94 V-0 Plastic	<p><u>Operating Temperature</u> -10°C ~ +70°C</p> <p><u>Storage Temperature</u> -40°C ~ +70°C</p> <p><u>Life Expectancy</u> 70,000 hours (L10 at 40°C)</p> <p>Weight: 0.039Kgs (0.09 lbs)</p>	
Impeller	PBT UL94 V-0 Plastic		
Connection	2x Wire Leads, 26 AWG		
Motor	Brushless DC, Auto Cutoff, Auto Restart, Polarity Protected		
Bearing System	Dual Ball Bearings		
Dielectric Strength	500VAC/min < 1mA		
Insulation Resistance	10M ohm between leadwire and frame (500VDC)		

Model Number	541-5182
Rated Voltage	24 VDC
Real Power	0.96 W
Rated Current	0.07 A
Rated Speed (RPM)	3500
Airflow (CFM)	14.35
Noise Level (dB)	27.4
Max. Static Pressure	0.12" H ₂ O