


D-SUB panel mounting frames - VS-25-A-DEVNET-S - 1652253

Please be informed that the data shown in this PDF Document is generated from our Online Catalog. Please find the complete data in the user's documentation. Our General Terms of Use for Downloads are valid (<http://download.phoenixcontact.com>)

D-SUB panel mounting frame, for DeviceNet, shell size 3, header, screw connection, unshielded, connection direction straight, IP67 degree of protection



Key commercial data

Packing unit	1 pc
GTIN	 4 017918 929152
Weight per Piece (excluding packing)	23.1 g
Custom tariff number	85369010
Country of origin	Germany

Technical data

Mechanical characteristics

Number of positions	5
Connection method	Screw connection
Conductor cross section	0.2 mm ² ... 2.5 mm ²
Connection cross section AWG	24 ... 12

Ambient conditions

Ambient temperature (operation)	-40 °C ... 80 °C
Degree of protection	IP67

Material data

Inflammability class according to UL 94	V0
Housing material	PA
Contact carrier material	PBT
Contact material	Cu alloy
Contact surface material	Gold-plated

Electrical characteristics

Number of positions	5
---------------------	---

D-SUB panel mounting frames - VS-25-A-DEVNET-S - 1652253

Technical data

Electrical characteristics

Rated current	8 A
Surge voltage category	III
Pollution degree	3
Rated voltage (III/3)	250 V
Rated current	8 A

Classifications

eCl@ss

eCl@ss 4.0	27140816
eCl@ss 4.1	27260701
eCl@ss 5.0	27260701
eCl@ss 5.1	27260701
eCl@ss 6.0	27261203
eCl@ss 7.0	27440202
eCl@ss 8.0	27440202

ETIM

ETIM 2.0	EC000437
ETIM 3.0	EC000437
ETIM 4.0	EC000437
ETIM 5.0	EC002310

UNSPSC

UNSPSC 6.01	31261501
UNSPSC 7.0901	31261501
UNSPSC 11	31261501
UNSPSC 12.01	31261501
UNSPSC 13.2	31261501

Accessories

Accessories

Protective cover

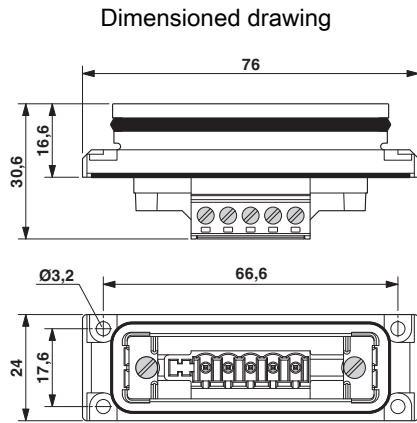
D-SUB protective cover - VS-25-SD - 1652211



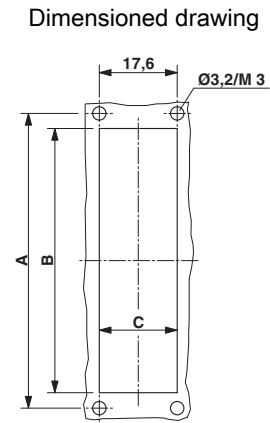
D-SUB protective cover, shell size 3, IP54 degree of protection, for panel mounting frame and sleeve housing VS-25-...

D-SUB panel mounting frames - VS-25-A-DEVNET-S - 1652253

Drawings



D-SUB panel mounting frame



Panel cutout: VS-25-A...