


VS-A-F-IP67

Order No.: 1653744



Panel mounting frame, IP67, for Freenet system, for round panel cutout, with grommet, without mounting screws, color: gray

Commercial data

EAN	 4 017918 970123
Pack	5
Customs tariff	85389099
Country of Origin	DE
Catalog page information	Page 288 (PC-2011)

Product notes

WEEE/RoHS-compliant since:
17/02/2006



Please note that the data given here has been taken from the online catalog. For comprehensive information and data, please refer to the user documentation at <http://www.download.phoenixcontact.com>. The General Terms and Conditions of Use apply to Internet downloads.

Technical data**Mechanical characteristics**

Number of slots	1
Insertion/withdrawal cycles	≥ 1000
Color	gray
Ambient temperature (operation)	-40 °C ... 80 °C

Material data

Inflammability class according to UL 94	V0
Housing material	PA
Material	Plastic
Sealing material	NBR
Seal material	NBR
Degree of protection	IP67

Electrical characteristics

Pollution degree	2
------------------	---

Accessories

Item	Designation	Description
------	-------------	-------------

Female insert

1654329	VS-06-BU-BU-F/IP67	FireWire socket insert, 6-pos., socket on socket, for the Freenet system in the panel mounting frame, IP20 terminal outlet, 19" patch panel and service interface
1654332	VS-06-BU-FK-F/IP67	FireWire socket insert, 6-pos., socket on flat-ribbon cable terminal strip, for the Freenet system in the panel mounting frame, IP20 terminal outlet, 19" patch panel and service interface, pitch: 2.54 mm
1652936	VS-08-BU-RJ45-5-F/PK	RJ45 socket insert, for the Freenet system, CAT5e, 8-pos., shielded, with cable connection (IDC fast connection), for solid wires AWG 24 ... 22
1652949	VS-08-BU-RJ45-6-F/PK	RJ45 socket insert, for the Freenet system, CAT6, 8-pos., shielded, with cable connection (IDC fast connection), for litz and solid wires AWG 24 ... 22
1405617	VS-08-BU/BU-RJ45-F	RJ45 female insert, for Freenet system, for VS-08 and panel mounting frame CAT5e, 8-pos., socket on socket
1652978	VS-SCRJ-GOF-BU/BU	SCRJ socket insert, duplex, for VS-A-F-IP67 panel mounting frame, can be used for glass, multi-mode, HCS and polymer fibers

Marking

0814775	VS-ZBFM-8-SET	Marker label set, consisting of 4 sheets (white, blue, yellow, orange) each with 50 labels for color marking of sleeve housings and panel mounting frames with IP67 protection
---------	---------------	--

Panel mounting frame

1653838	VS-04-BUA-BUB-F/IP67	USB socket insert, 4-pos., socket USB type A on socket USB type B, for the Freenet system in the panel mounting frame, IP20 terminal outlet, 19" patch panel and service interface, pluggable from both directions
---------	----------------------	--

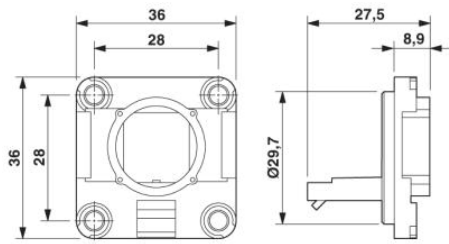
1653854	VS-04-BUA-FK-F/IP67	USB socket insert, 4-pos., socket USB type A on flat-ribbon cable terminal strip, pitch 2.54, for the Freenet system in the panel mounting frame, IP20 terminal outlet, 19" patch panel and service interface
1653867	VS-04-BUB-FK-F/IP67	USB socket insert, 4-pos., socket USB type B on flat-ribbon cable terminal strip, pitch 2.54, for the Freenet system in the panel mounting frame, IP20 terminal outlet, 19" patch panel and service interface

Protective covers

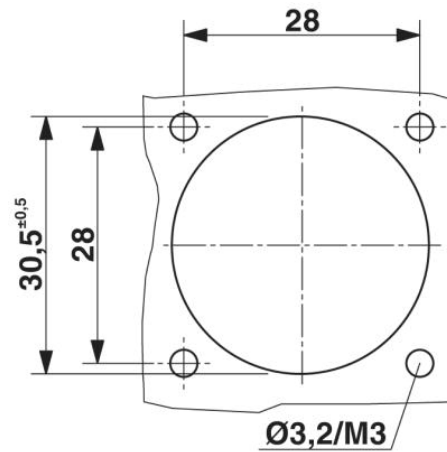
1689200	VS-08-SD	Protective cover, IP67, tall design
1652606	VS-08-SD-F	Protective cover, IP67, flat design, to cover the contact insert in the panel mounting frame, color: gray

Drawings

Dimensioned drawing



Panel mounting frame for Freenet system



Panel cutout