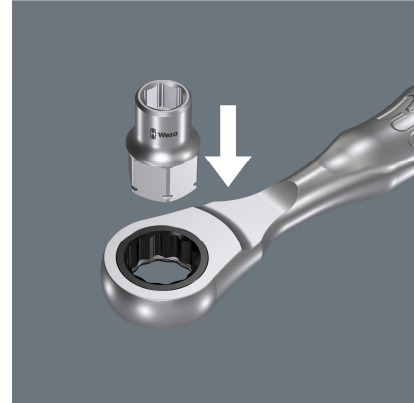


4013288179654

8790 FA Zyklop socket with 1/4" and Hexagon 11 drive, 5.5 mm



EAN: 4013288179654
Type: 8790 FA
Size: 5,5

Code: 05003668001