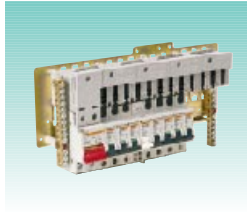


Contents



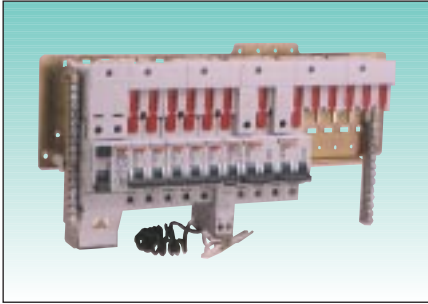
Pan assemblies and
installation accessories

SP&N pan assemblies	124
SP&N door and cover	124
TP&N pan assemblies	125
TP&N door and cover	125
Multiclip busbar and Polybloc	126
Comb busbars and terminal blocks	127
Distriblock	127
Installation accessories	128-129



ISOBAR 4

A type distribution board pan assemblies and spares



A board pan assembly

Part No	Description
MGPA6N	6 way SP&N pan assembly
MGPA9N	9 way SP&N pan assembly
MGPA12N	12 way SP&N pan assembly
MGPA15N	15 way SP&N pan assembly

A board pan assembly without outgoing switched neutral facility

MGPA6SN	6 way SP panel fixing pan assembly
MGPA9SN	9 way SP panel fixing pan assembly
MGPA12SN	12 way SP panel fixing pan assembly
MGPA15SN	15 way SP panel fixing pan assembly

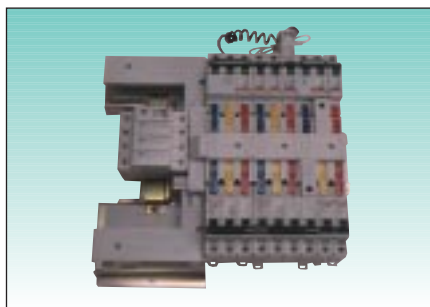


A board door and cover

Part No	Description
CMGA6N	Suitable for MGPA6N
CMGA9N	Suitable for MGPA9N
CMGA12N	Suitable for MGPA12N
CMGA15N	Suitable for MGPA16N
CMGA23N	Suitable for MGPA23N

ISOBAR 4

B type distribution board pan assemblies and spares



B board pan assembly

Part No	Description
MGPB4N	4 way TP&N pan assembly
MGPB6N	6 way TP&N pan assembly
MGPB8N	8 way TP&N pan assembly
MGPB12N	12 way TP&N pan assembly
MGPB16N	16 way TP&N pan assembly
MGPB24N	24 way TP&N pan assembly

B board pan assembly without outgoing switched neutral facility

MGPB4TN	4 way TP panel fixing pan assembly
MGPB6TN	6 way TP panel fixing pan assembly
MGPB8TN	8 way TP panel fixing pan assembly
MGPB12TN	12 way TP panel fixing pan assembly
MGPB16TN	16 way TP panel fixing pan assembly
MGPB24TN	24 way TP panel fixing pan assembly

Standard incomers - MGI1253 three pole switch disconnecter.

- MGTB2253 three pole direct connection lug unit.

Non standard incomers - Multi 9 devices plus 80011 connection shroud.

Note: MGPB8E and MGPB16E are suitable for fitting in panelboard integrated control and distribution system (ICDS). See page 108.



B board door and cover

Part No	Description
MGB4NCD	Suitable for MGPB4N
MGB6NCD	Suitable for MGPB6N
MGB8NCD	Suitable for MGPB8N
MGB12NCD	Suitable for MGPB12N
MGB16NCD	Suitable for MGPB16N
MGB24NCD	Suitable for MGPB24N

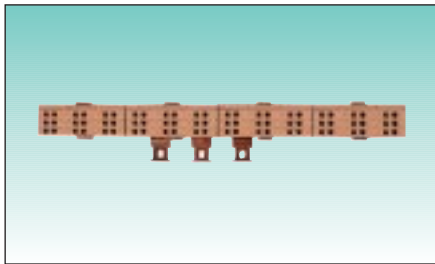
B board pan assembly with neutral and earth and mounting plate

Part No	Description
MGPB4E	4 way TP&N pan assembly + N&E
MGPB6E	6 way TP&N pan assembly + N&E
MGPB8E	8 way TP&N pan assembly + N&E
MGPB12E	12 way TP&N pan assembly + N&E
MGPB16E	16 way TP&N pan assembly + N&E
MGPB24E	24 way TP&N pan assembly + N&E

Prisma pan assemblies

Pan assembly part No	Front plate part No	Description
07790	07795	6 way TP&N pan assembly
07791	07796	8 way TP&N pan assembly
07792	07797	12 way TP&N pan assembly
07793	07798	16 way TP&N pan assembly
07794	07799	24 way TP&N pan assembly

Multiclip busbar and Polybloc



Multiclip busbar Technical data

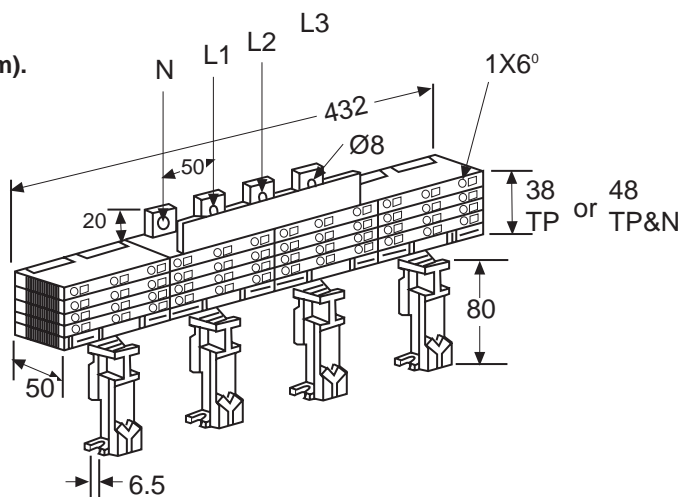
- Voltage rating: 415V (max).
- Current rating: 180A at 40°C.
- Short circuit withstand: 8kA (415V).
- Incoming connection: direct by cable lugs, connectors or flexible bars.
- Each outgoing Phase & Neutral connection has:
 - Automatic spring connections.
 - 12 connections per phase supplied with the busbar.
 - Cable capacity 6 mm² max.
 - 40A max. current rating per connection.
- Fixing:
 - On Multifix rails (fixing brackets included).
 - By screws on all standard supports.

Multifix slide-in captive nuts Enable components to be bolted to Multifix DIN rail. Nuts slide into base channel of Multifix DIN rail and twist to lock in desired position. Supplied in sets of 20. **Multifix DIN rail (Merlin Gerin patent).**

Multifix (length 470mm)

- Rail only, drilled on each end **07551**
- With two fixed-height mounting brackets **07501**
- With two adjustable-height mounting brackets **07502**

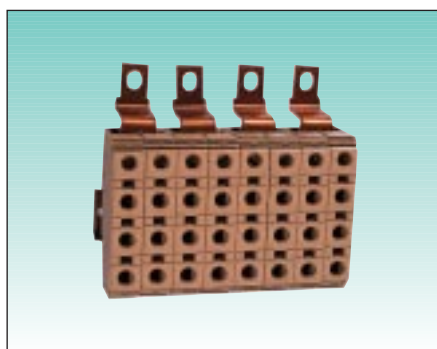
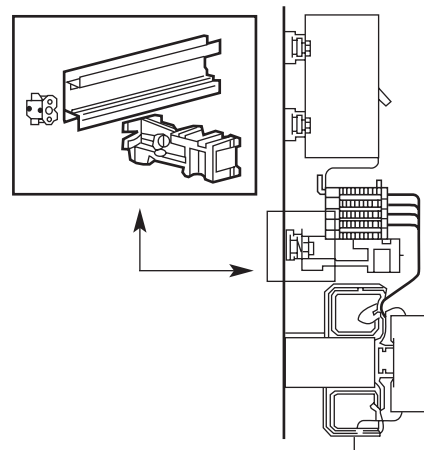
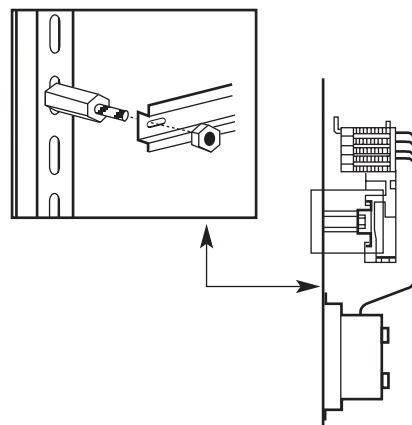
Dimensions (mm).



Type	Part no.
3 Ph	07003
3 Ph+N	07004
main terminal shield	07331

Spacers	Thread	Part.no.
■ h = 9	M6	05209
■ h = 23	M6	05223
■ h = 50 (4 pieces)	M8	05224
■ h = 56	M6	05056

Symmetrical DIN rail L = 2000	Part.no.
■ th = 2.3; h = 15	06603
asymmetrical rail L = 2000	Part.no.
■ th = 1.5; h = 15	06602



Polybloc 250A

A distribution block patented by Merlin Gerin for 'wire to wire' connections, it consists of:

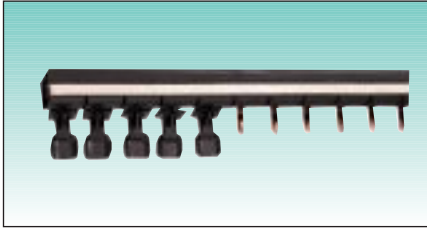
- 8 units (125A) side by side.
- 4 terminals 250A (width 20mm, 8mm).
- 1 symmetrical rail.
- Dimensions (mm): W 140 x H 91.

	Part no.
Polybloc	07100
4 connectors 70 mm ²	07051

Cable capacities

	Incoming	Outgoing
1 unit	35mm ² flexible or 50mm ² rigid	3 x 10mm ²
2 units side by side with connection pad	70mm ² with pad	6 x 10mm ²
Rated insulation voltage = 750V		

Comb busbars connectors and assembled terminals



Comb busbars C60H

Rated operational voltage 500V
Complies with BS 5486 Pt 1, EN 60439-1

- Fully insulated for protection against direct contact.
- Supplied with insulated end covers.
- Main connection: 16mm² direct
25mm² via connectors part n°. **14885.**

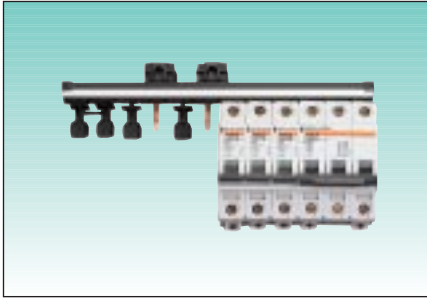
When fed by a single cable per phase the busbar is rated 100A at 40°C.

If two connections (i.e. two cables) are used per phase the rating is increased to 120A.

Short circuit rating compatible with the breaking capacity of the mcb's fitted.

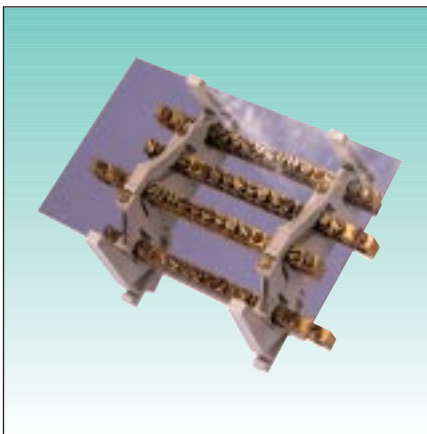
Short time ratings: 10kA for 30ms, 1800A for 1 second.

Suitable for use with all Merlin Gerin mcb's with 18mm width poles (C60HB/HC/HD).



Type suitable for	Part n°.
1P 1 row of 12 - 1P MCB's	14881
2 row of 24 - 1P MCB's	14891
2P 1 row of 6 - 2P MCB's	14882
2 row of 12 - 2P MCB's	14892
3P 1 row of 4 - 3P MCB's	14883
2 row of 8 - 3P MCB's	14893
4P 1 row of 3 - 4P MCB's	14884
2 row of 6 - 4P MCB's	14894
Cable connectors - pack of 4	14885

Accessories	Part n°.
set of 40 ends caps	
for 1P and 2P combs	14886
for 3P and 4P combs	14887
set of 40 boots for unused teeth	14888



Stepped terminals 125/140A (40°C)

Installation

- Clipping on to Multifix or symmetrical rails.

- Screwing on to plain or slotted plates, Multifix rails or asymmetrical rails.

Terminals with holes 125A

	L1 Insulating cover	L2 Fixing centres	Isc (kA rms) 415V	Part no.
4 x 10 holes (5 x 10 mm ² + 4 x 16 mm ²) + (1 x 35 mm ²)	88	68	3.5kA/1s	13512
4 x 17holes (8 x 10 mm ² + 8 x 16 mm ²) + (1 x 35 mm ²)	125	105	3.5kA/1s	13514
terminals with clamps 140A				
4 x 12 holes (12 clamps 6 mm ²)	288	264	10kA/1s	14949



Distribloc 125 and 160A

4 pole distribution block comprising:

- A fully insulated, one piece distribution system complying with IP XXB (protection against direct contact).
- A modular cover designed for a 45mm panel slot for integration in a row of DIN rail mounted modular products.

- Outgoing connections are connected from the front in spring clamp cage connections having automatically adjusted spring pressure.

U_i = 690V, I_{cw} = 4.5kA/1s to IEC947-7-1.

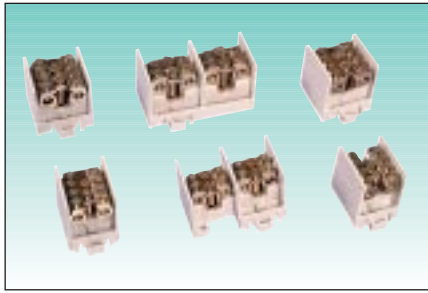
Peak withstand current I_{pk} = 20kA to IEC439-1.

Rated impulse withstand voltage:
U_{imp} = 8kV.

	Reference
Distribloc 125	07105
Distribloc 160	07106

Distribloc 125	Incoming	6 - 35mm ² flexible or 10 - 35mm ² rigid cables
Distribloc 160	Incoming	Flexible cable links fitted to device
Distribloc 125 & 160	Outgoing	Per pole: 2 x 10mm ² 3 x 6mm ² 7 x 4mm ² 1 x 25mm ² (16mm ² flexible)*

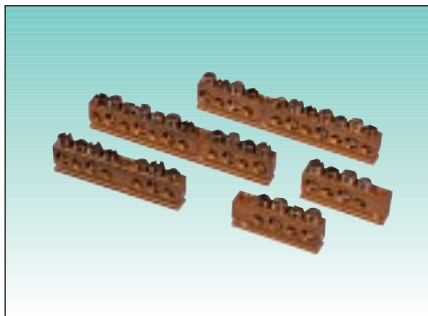
Terminals and installation accessories



Terminal blocks

For fixing to symmetrical DIN rails.
1P and 2P blocks can be fitted together to form 3P and 4P blocks.
Current rating 80A.

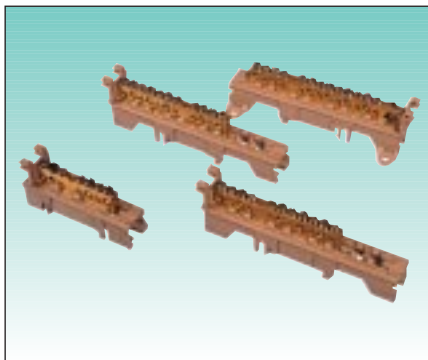
Type	Part no.
1P (2 x 25 mm ² + 4 x 16 mm ²)	14936
1P (2 x 35 mm ² + 4 x 25 mm ²)	14938
2P (2 x 25 mm ² + 4 x 16 mm ²)	14937
2P (2 x 35 mm ² + 4 x 25 mm ²)	14939



Connection strips 80-125A (40°C) Cross section for stranded cables

Each strip has one M4 threaded hole for screw attachment to any support.
Also used with EK9 enclosures.

80A connection strip	
4 holes (2 x 10 mm ² + 2 x 16 mm ²) length 32mm	14962
6 holes (3 x 10 mm ² + 2 x 16 mm ² + 1 x 35mm ²) length 50mm	14963
10 holes (5 x 10 mm ² + 4 x 16 mm ² + 1 x 35mm ²) length 74mm	14964
125A connection strip	
14 holes (7 x 10 mm ² + 6 x 16 mm ² + 1 x 35 mm ²) length 98mm	14965



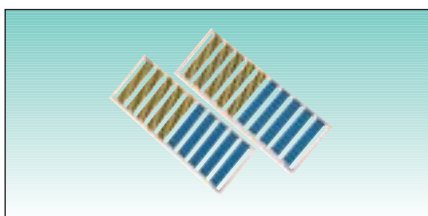
Terminal block support made of self-extinguishing insulating material: 960°C/5s. Beige in colour.
Each support can be individually identified using clip-on markers (optional):

- Blue for neutral.
- Yellow/green for earth.

Fixing:

- Clipped on to .
- 12 x 2 flat bar.
- Multifix or symmetrical rail.
- Screwed on to any support (plain or slotted plate) using 2 ears.

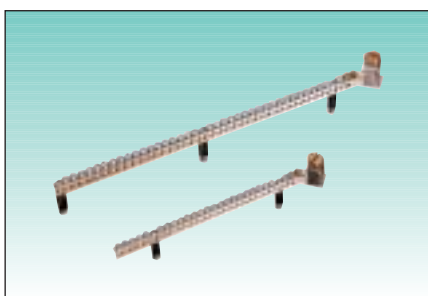
Cross section for stranded cables	
80A terminal block	
4 holes (2 x 10 mm ² + 2 x 16 mm ²) length 68mm	14975
6 holes (3 x 10 mm ² + 2 x 16 mm ² + 1 x 35mm ²) length 68mm	14976
10 holes (5 x 10 mm ² + 4 x 16 mm ² + 1 x 35mm ²) length 115mm	14977
125A terminal block	
14 holes (7 x 10 mm ² + 6 x 16 mm ² + 1 x 35 mm ²) length 115mm	14979



Identification Card

The markers can be used to identify terminal blocks: neutral or earth.

2 x 50 identification card (50 blue mark, 50 yellow/green mark)	14989
flat bar 12 x 2	07046



Terminal bar for earth/neutral connections

- For panel mounting.
- Including support.
- Current rating 200A.

For panel mounting	
1 x 20 holes, length 183 mm (19 x 16 [□] + 1 x 120 [□])	99217
1 x 25 holes, length 222 mm (24 x 16 [□] + 1 x 120 [□])	99219
1 x 38 holes, length 332 mm (37 x 16 [□] + 1 x 120 [□])	99221
1 x 49 holes, length 419 mm (48 x 16 [□] + 1 x 120 [□])	99223
1 x 73 holes, length 624 mm (72 x 16+1 x 120 [□])	99225
current rating: 200A	

Installation accessories



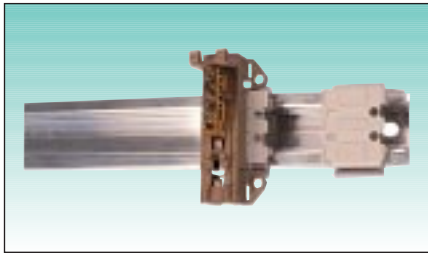
End stop

For symmetrical/asymmetrical DIN rail.

End stop (bag of 10)

Part no.

14915



Universal terminal support

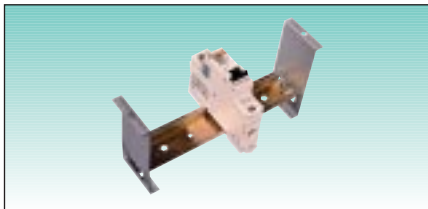
This unit can be installed on:

- Symmetrical DIN rail.
- Slotted mounting plate.
- Asymmetrical DIN rail width: 3 modules of 9mm.

Universal terminal support
(bag of 5)

Part no.

6619



Flush mounting clamp

Allows the installation of all DIN-standard devices on an enclosure door.

The depth is adjustable by turning the bracket round. DIN rail not included.

Flush mounting clamp (bag of 4) **20267**

Part no.

20267



Transparent hinged weatherproof cover for enclosure doors - IP55

Allows the installation of DIN-standard devices up to 10 SP ways (twenty 9 mm modules) on an enclosure door.

Degree of protection IP55.

- External dimensions (mm):
W 235 x H 126 x D 33.
- Dimensions of the hole on the door (mm): W 186 x H 96.

Supplied with a blanking plate (to cover up to ten 9 mm modules) and fixing and drilling template.

Transparent hinged cover
DIN rail support
(and fixing) **14211**

Part no.

14210

14211



Transparent hinged weatherproof cover for individual enclosures - IP55

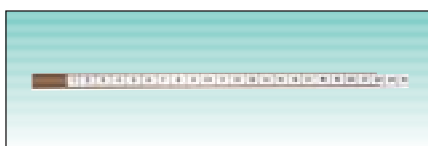
Suitable for DIN-standard devices up to 4 SP ways (8 9mm modules) in individual enclosures.

- Maximum projection of device covered: 20mm.
- Rubber seals included.
- Degree of protection IP55.
- Dimensions (mm): W 92 x H 80 x D 25.

Transparent hinged cover **99246**

Part no.

99246



Card strip holder

Self-adhesive plastic holder for card label strip. 430 mm/47 9 mm modules wide, 20 mm high. Supplied with card strip and transparent cover strip.

Card strip holder **07360**
Pack of 10 holders and 10 card strips

Part no.

07360