

EMERGENCY STOP MUSHR. PUSHB., CAN BE ILLUMINATED, 22MM, ROUND, METAL, SHINY, RED, 40MM, POSITIVE LATCHING, ROTATE TO UNLATCH



Figure similar

product brand name	SIRIUS ACT
Product designation	Commanding and signaling devices
Design of the product	EMERGENCY STOP mushroom pushbutton

**Enclosure:**

Number of command points	1
--------------------------	---

**Actuator:**

Design of the operating mechanism	EMERGENCY STOP mushroom pushbutton; tamper-proof
Manner of function of the actuating element	Latching
Product expansion optional Light source	Yes
Color	
• of the actuating element	Red
Material of the actuating element	plastic
Shape of the actuating element	round
Outer diameter of the actuating element	40 mm
Type of unlocking device	rotate-to-unlatch mechanism
Number of switching positions	2

**Front ring:**

Product component front ring	No
------------------------------	----

### General technical data:

<b>Product function</b>	
<ul style="list-style-type: none"> <li>• positive opening</li> <li>• EMERGENCY OFF function</li> <li>• EMERGENCY STOP function</li> </ul>	<p>Yes</p> <p>Yes</p> <p>Yes</p>
<b>Protection class IP</b>	IP66, IP67, IP69(IP69K)
<b>Degree of protection NEMA rating</b>	NEMA 1, 2, 3, 3R, 4, 4X, 12
<b>Shock resistance</b>	
<ul style="list-style-type: none"> <li>• acc. to IEC 60068-2-27</li> </ul>	Sinusoidal half-wave 50 g / 11 ms
<b>Vibration resistance</b>	
<ul style="list-style-type: none"> <li>• acc. to IEC 60068-2-6</li> </ul>	10 ... 500 Hz: 5g
<b>Operating frequency maximum</b>	600 1/h
<b>Mechanical service life (switching cycles)</b>	
<ul style="list-style-type: none"> <li>• typical</li> </ul>	300 000
<b>Equipment marking</b>	
<ul style="list-style-type: none"> <li>• acc. to DIN EN 61346-2</li> <li>• acc. to DIN EN 81346-2</li> </ul>	<p>S</p> <p>S</p>

### Safety related data:

<b>B10 value</b>	
<ul style="list-style-type: none"> <li>• with high demand rate acc. to SN 31920</li> </ul>	100 000

### Ambient conditions:

<b>Ambient temperature</b>	
<ul style="list-style-type: none"> <li>• during operation</li> <li>• during storage</li> </ul>	<p>-25 ... +70 °C</p> <p>-40 ... +80 °C</p>

### Installation/ mounting/ dimensions:

<b>Shape of the installation opening</b>	round
<b>Mounting diameter</b>	22.3 mm
<b>Mounting height</b>	45.3 mm
<b>Installation width</b>	40 mm
<b>Installation depth</b>	26.3 mm

### Certificates/approvals

General Product Approval	Declaration of Conformity	other
 CSA	 UL	 VDE
 EAC	 EG-Konf.	<a href="#">Bestätigungen</a>

### Further information

Information- and Downloadcenter (Catalogs, Brochures,...)  
<http://www.siemens.com/industrial-controls/catalogs>

**Industry Mall (Online ordering system)**

<https://mall.industry.siemens.com/mall/en/en/Catalog/product?mlfb=3SU10511HB200AA0>

**Cax online generator**

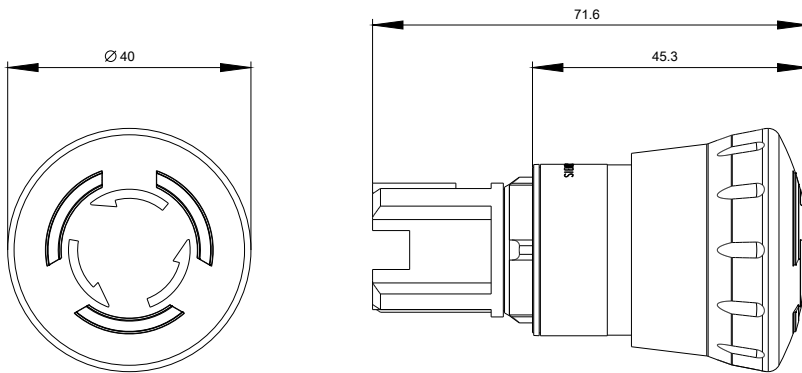
<http://support.automation.siemens.com/WW/CAXorder/default.aspx?lang=en&mlfb=3SU10511HB200AA0>

**Service&Support (Manuals, Certificates, Characteristics, FAQs,...)**

<https://support.industry.siemens.com/cs/ww/en/ps/3SU10511HB200AA0>

**Image database (product images, 2D dimension drawings, 3D models, device circuit diagrams, EPLAN macros, ...)**

[http://www.automation.siemens.com/bilddb/cax\\_de.aspx?mlfb=3SU10511HB200AA0&lang=en](http://www.automation.siemens.com/bilddb/cax_de.aspx?mlfb=3SU10511HB200AA0&lang=en)



**last modified:**

**24.02.2016**