

Features

- 868MHz FM Technology
- 8 Channels each 1000W Rated
- 12-30Vdc
- Waterproof (IP68)
- High Security RF Protocol
- Outputs Momentary or Latching
- Any Switch Map to Any Relay Output
- EMC Compliant for Europe



Applications

- General Purpose Remote Switching
- Garage Doors
- Electric Gates, Shutters
- All known Lighting types (LED, fluorescent, halogen, tungsten, xenon).
- Water Features

Ordering Information

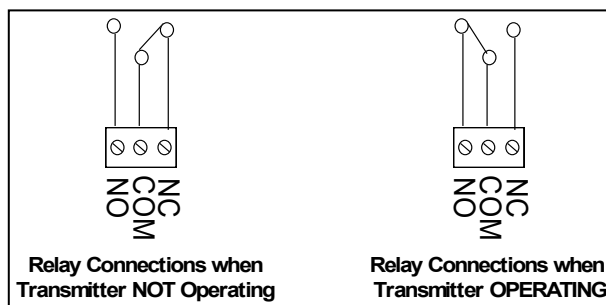
| Part Number | Description | Receiver Power Supply |
|-------------|--------------------|-----------------------|
| TRAP-8R8 | Receiver 8 channel | 12-30Vdc |

TRAP-8R8 Receiver



Relay Outputs

The TRAP system provides changeover relay switches each capable of switching up to 1.2KW (5A @ 230V). Each relay is independent and separately controlled. Each output relay provides an isolated switch. Connections are Common (COM), Normally Open (NO) and Normally Closed (NC).



Installation

Below is a simple example showing one possible way to wire a relay in order to give switched power to an external load:

When the relay is energised the 'COM' connects to 'NO' and power is applied to the Load.

Receiver Configuration

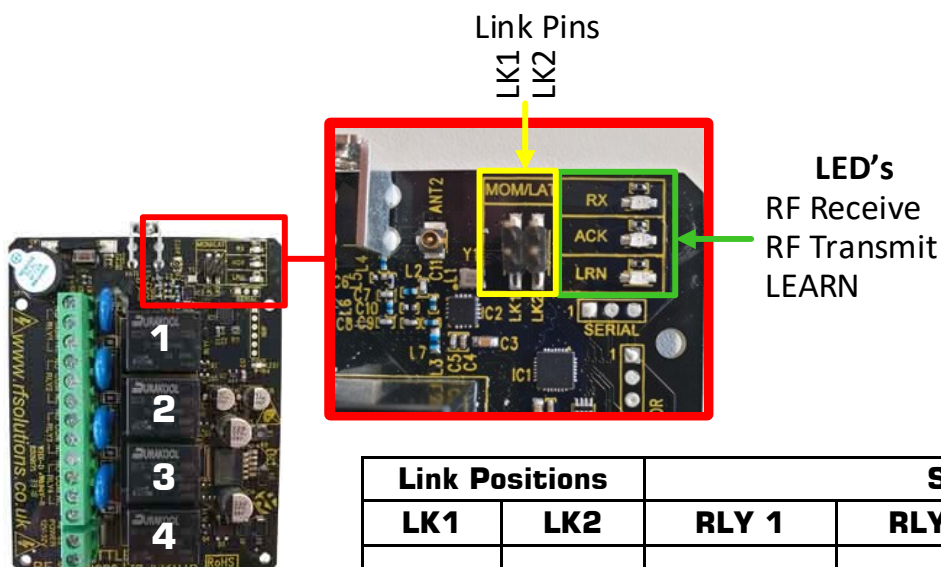
Configuring receivers

The link pins LK1 and LK2 set the action of the relays

1/2 sec Mom = Relay will operate for 1/2 sec

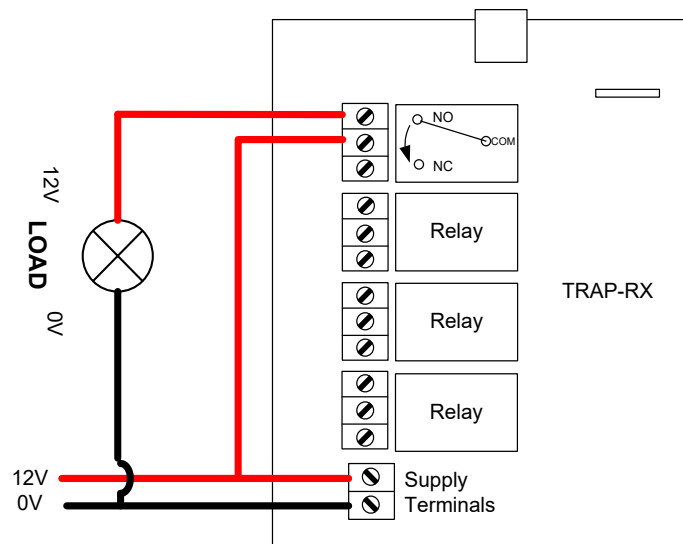
Mom = Relay will operate for as long as transmitter switch operated

Latch = Relay will toggle ON/OFF on each transmitter button press



| Link Positions | | Switch relays | | | |
|----------------|--------|---------------|---------|---------|---------|
| LK1 | LK2 | RLY 1 | RLY 2 | RLY 3 | RLY 4 |
| Open | Open | 1/2 sec | 1/2 sec | 1/2 sec | 1/2 sec |
| Closed | Open | Mom | Mom | Latch | Latch |
| Open | Closed | Mom | Mom | Mom | Mom |
| Closed | Closed | Latch | Latch | Latch | Latch |

Application wiring example



Advanced operation - Pairing a Transmitter Button



With this system, you can pair together any individual transmitter switch with any receiver relay switch. Without opening either enclosure:

1. Briefly (~1 second) press the LEARN Switch on the receiver.
2. The receiver will buzz **once** (One buzz means the receiver unit is ready to allocate a transmitter to relay output 1) To select relay output 2, 3 or 4, briefly press the LEARN Sw again so that the Buzzer Buzzes to indicate the Relay output 2,3, or 4.
3. Press the switch on the transmitter which you wish to pair
4. The receiver will buzz twice to confirm pairing
5. Repeat for any additional transmitter switches

NOTE: Each receiver has a maximum memory for up to 28 pairings, these can be from any switches on any transmitters

Advanced operation - Erasing Receiver

1. Press and hold the LEARN switch for 10 seconds.
2. The receiver will sound a long buzz to confirm all Transmitters are erased

TRAP-8R8 Receiver



Receiver Decoder: TRAP-Receiver

Enclosure Rating: IP68
Dimensions: 267 x 148 x 78 mm (not including antenna)
Operating Temperature: -10 to +50°Celsius.

| Electrical Characteristics | MIN | TYPICAL | MAX | DIMENSION |
|--|-----|---------|-----|-----------|
| Supply Voltage for +12 v | 11 | | 32 | Vdc |
| Relay Rating* (230Vac) RLY1-4 | | 5 | 12 | A |
| Supply Current per PCB: Quiescent | | 40 | | |
| All relays operating* | | 140 | | mA |
| Time delay from Tx on Switch to Rx Relay operation | | 20 | | mS |
| Time delay from Tx sw relax to Rx Relay release | | 20 | | mS |

*The relay contacts in this unit are for functional use only and must not be used for isolation purposes

Important European compliance information

This RF Solutions product meets the essential requirements of the European Radio Equipment Directive 2014/53/EU and has been tested to European Harmonised Standards and CE marked accordingly. A copy of the EU Declaration of Conformity can be located on the RF Solutions Website, www.rfsolutions.co.uk/certification-

RF Solutions Ltd. Recycling Notice

Meets the following EC Directives:

DO NOT

Discard with normal waste, please recycle.



ROHS Directive 2002/95/EC

Specifies certain limits for hazardous substances.

WEEE Directive 2002/96/EC

Waste electrical & electronic equipment. This product must be disposed of through a licensed WEEE collection point. RF Solutions Ltd., fulfills its WEEE obligations by membership of an approved compliance scheme.

Waste Batteries and Accumulators

Directive 2006/66/EC

Where batteries are fitted, before recycling the product, the batteries must be removed and disposed of at a licensed collection point.

Environment Agency producer registration number: WEE/JB0104WV.

Disclaimer:

Whilst the information in this document is believed to be correct at the time of issue, RF Solutions Ltd does not accept any liability whatsoever for its accuracy, adequacy or completeness. No express or implied warranty or representation is given relating to the information contained in this document. RF Solutions Ltd reserves the right to make changes and improvements to the product(s) described herein without notice. Buyers and other users should determine for themselves the suitability of any such information or products for their own particular requirements or specification(s). RF Solutions Ltd shall not be liable for any loss or damage caused as a result of user's own determination of how to deploy or use RF Solutions Ltd's products. Use of RF Solutions Ltd products or components in life support and/or safety applications is not authorised except with express written approval. No licences are created, implicitly or otherwise, under any of RF Solutions Ltd's intellectual property rights. Liability for loss or damage resulting or caused by reliance on the information contained herein or from the use of the product (including liability resulting from negligence or where RF Solutions Ltd was aware of the possibility of such loss or damage arising) is excluded. This will not operate to limit or restrict RF Solutions Ltd's liability for death or personal injury resulting from its negligence.

www.rfsolutions.co.uk

RF Solutions Ltd

William Alexander House, William Way, Burgess Hill, West Sussex, RH15 9AG
Sales: +44(0)1444 227 910 Tech Support: +44(0)1444 227909

