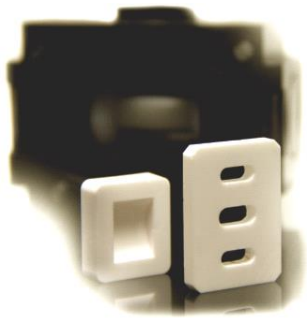




Test report included!  
Prüfbericht inklusive!



Maintenance Free  
Ceramic Air-Valve Parts

Wartungsfrei  
Lüftungsventilteile aus Keramik

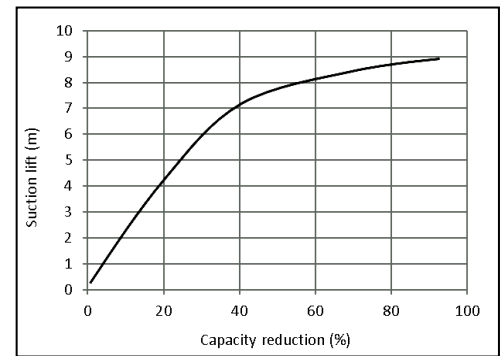
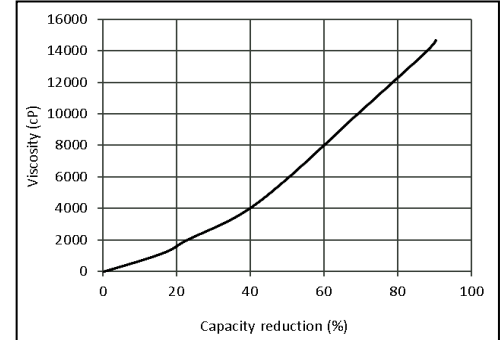
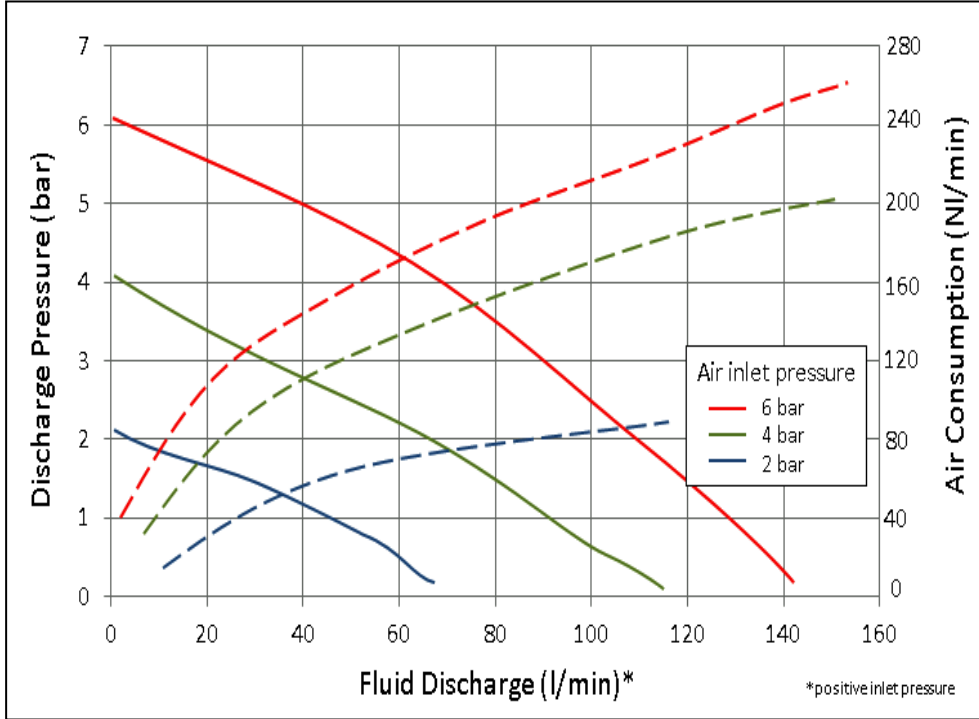
- Capacity 5 - 130 l/min
- 1" connection in several positions
- High suction lift (8,5 Mtr)
- Standard equipped with Santoprene diaphragms & valves
- Ceramic air-valve system (lubefree)
- Suitable for high Viscous liquids
- Low noise (77 dBA)
- Pump body: Alu. (Komaxit coated)
- Suitable for abrasive liquids
- Low air-consumption !
- Dry running capability
- Low maintenance and parts costs
- Bolted (SST) leakage free design
- No Air leakage at liquid stop
- Made in EU

- Kapazität 5 - 130 l/min
- Variable 1" Anschlüsse
- Hohe Saugleistung (8,5 Mtr)
- Standardmässig mit Santoprene Membranen und Ventilen ausgestattet
- Keramik-Luft-Ventilsystem (fettfrei)
- Geeignet für hochviskose Medien
- Äusserst leise (77 dBA)
- Pumpengehäuse: Alu.(Komaxit beschichtet)
- Beständig gegen abrasive Flüssigkeiten
- Geringer Luftverbrauch
- Trockenlauf geeignet
- Niedrige Wartungs- und Ersatzteilkosten
- Bolzen (SST) leckagefreie Ausführung
- Bei Betriebsstopp kein Druckluftverlust
- Made in EU

## **APPLICATIONS**

CHEMICALS • SOLVENTS • PLATING • ACIDS • OILS • INKS • GLUES • ALKALIES • ENAMEL  
POLYESTER PAINT • WASTE WATER • COOLING LIQUIDS • FOAMS • HYDRAULIC OILS

## Flowchart 1" Series / Flussdiagramm 1" Series

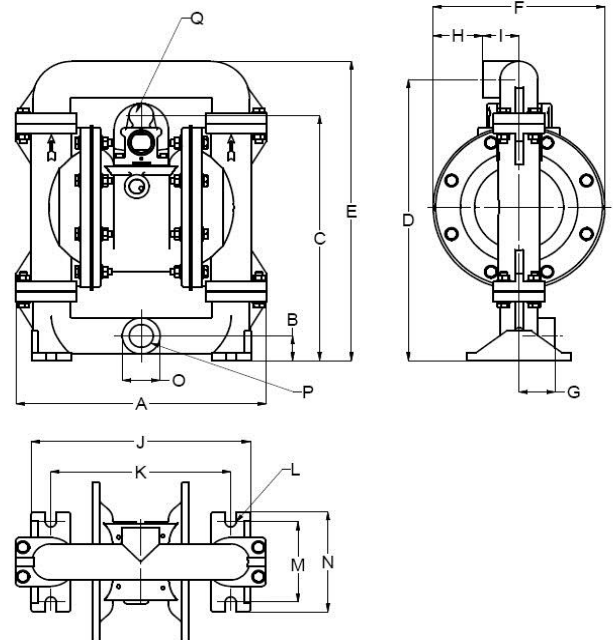


## Available types - Verfügbare Typen

Type	liquid wetted parts -Temperature Limits
TEP130-AX	Alu / Santoprene 0 to +100 degr.C.
TEP130-ANB	Alu / NBR 0 to + 82 degr.C.
TEP130-ATW	Alu / PTFE 0 to +100 degr.C.

Air-motor made from POM-C)

- A** = Aluminium body
- X** = Santoprene diaphragms & valve balls
- NB** = NBR diaphragms & valve balls
- TW** = Teflon vulcanised diaphragms & teflon valve balls
- D** = Domed shaped diaphragms (extended lifetime!!)



<b>A</b>	305 mm	<b>G</b>	44 mm	<b>M</b>	102
<b>B</b>	32 mm	<b>H</b>	61 mm	<b>N</b>	127
<b>C</b>	313 mm	<b>I</b>	44 mm	<b>O</b>	46
<b>D</b>	359 mm	<b>J</b>	267 mm	<b>P</b>	1" BSP fem.
<b>E</b>	382 mm	<b>K</b>	219 mm	<b>Q</b>	3/8" BSP-fem.
<b>F</b>	209 mm	<b>L</b>	13 mm	<b>Weight :</b>	8,5 kg.

**xylem**  
Let's Solve Water

